

## GRP storage cabinet: DMO-04

Dräger Marine & Offshore cabinets are designed for tough offshore conditions. Manufactured from durable GRP material, these cabinets are rated to IP56, certified by Lloyds. All cabinets are manufactured with stainless steel locks and hinges. The cabinets can be configured to suit different storage requirements.



### Features

#### Room to store

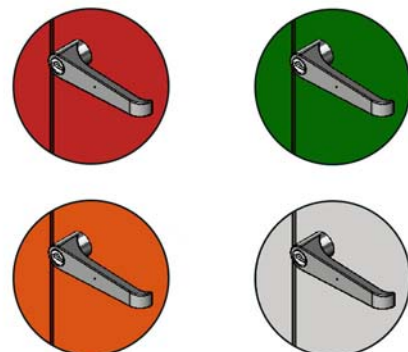
- Fireman's equipment (5 complete sets incl. SCBA)
- Survival suits (up to 40pcs depending on size)
- Life jackets (up to 70pcs depending on type)
- Emergency response team equipment
- Helideck crash equipment (incl. ladder & grab hook)

#### Options

- Shelves / bulkhead / clothing bar
- Ventilation
- Flame retardant version
- Heaters (conventional / ATEX approved)
- Lighting (conventional / ATEX approved)
- Lettering

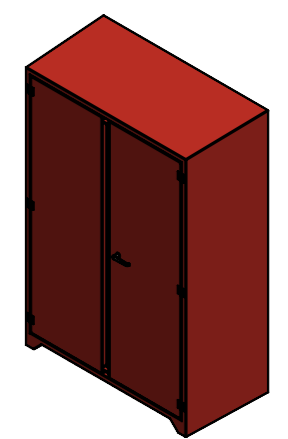
### TECHNICAL SPECIFICATIONS

Dimensions	1235 x 602 x 1830 mm (WxDxH)
Aperture dimensions	1056 x 602 x 1596 mm (WxDxH)
Angle of door opening	90°
Weight	95 kgs
Material	GRP
Color	Safety Green RAL 6002 Firefighting Red RAL 3000 Safety Orange RAL 2009 Lifesaving White RAL 9010
IP rating	IP56
Door catch	Nylon
Door handle	SS 316
Hinges	SS 316
Seal	EPDM
Reinforcement	Core material
Lettering	White
Approvals	IP56 BS EN 60529:1992 Lloyds

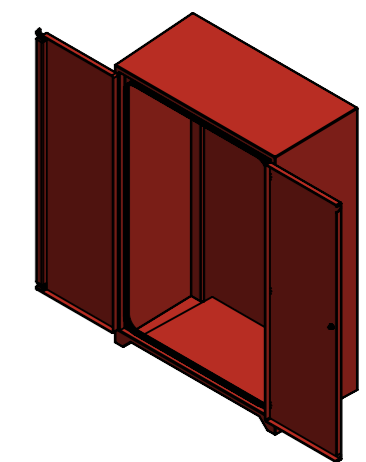


**GRP storage cabinet: DMO-04**  
IP56 rated and Lloyds certified

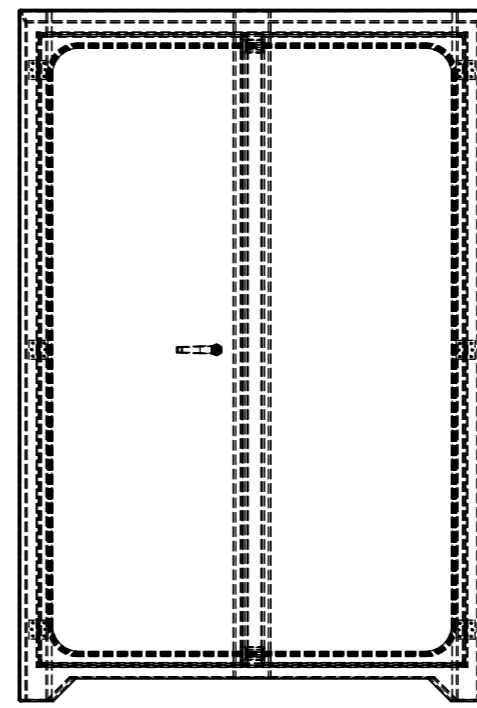
ISO View



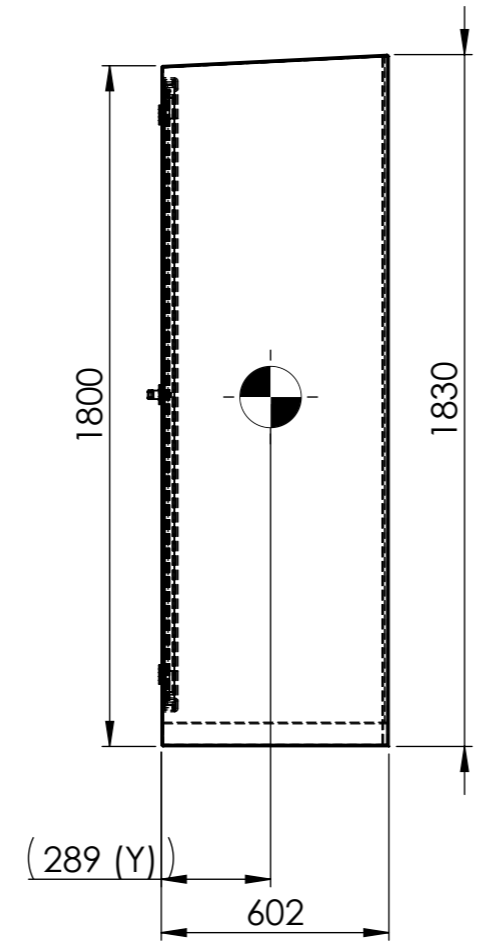
Concept\_DMO-04\_01



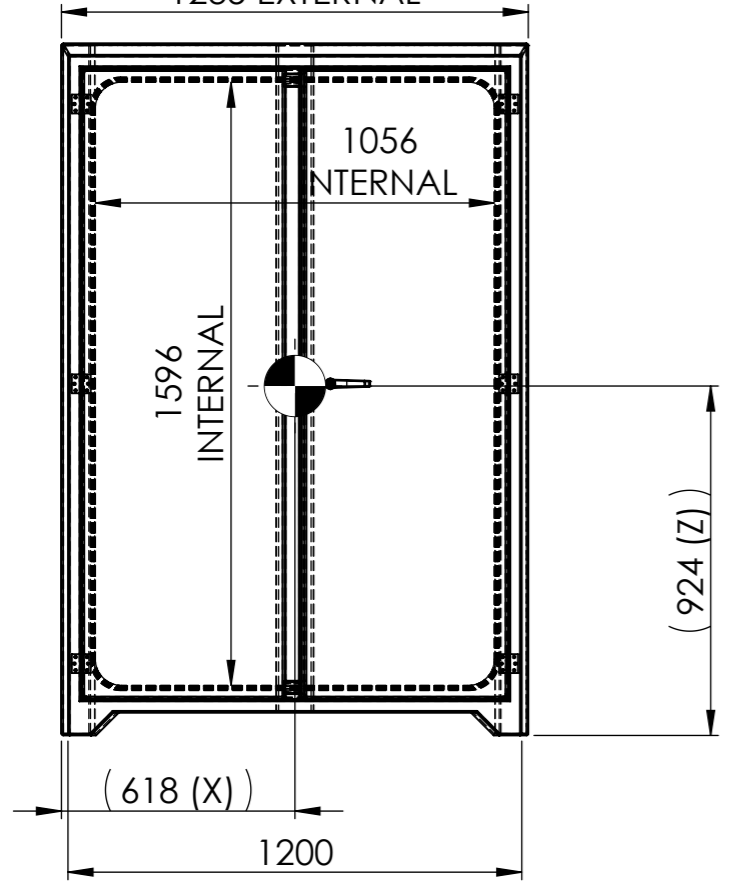
Rear View



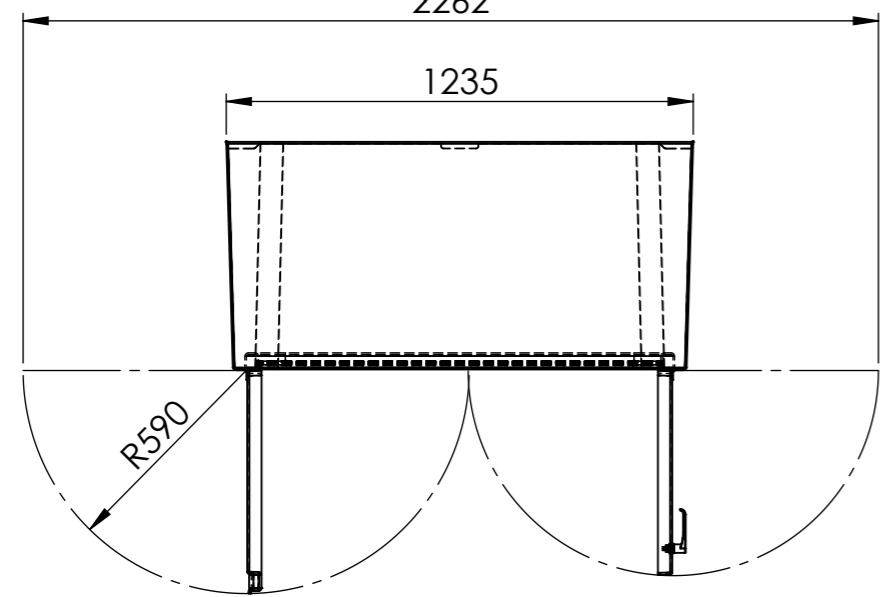
Side View



Front View  
1235 EXTERNAL



Top View  
2262



Colour	RALxxxx
Material	3-4mm GRP
Lock and hinges	Stainless steel
Weight cabinet	xxKg
Weight cabinet incl. content	Invulbaar
C.O.G.	X-918 / Y-376 / Z-1025 from datum
Text on cabinet	Invulbaar
Tag on cabinet	Invulbaar
Mounting instructions	Invulbaar

Storage for



Dräger Nederland B.V.  
Marine & Offshore  
Beurtschipperstraat 1  
3194 DK, Hoogvliet-RT  
the Netherlands  
+31 10 2952772

Date	11-11-2022	Name	C.S.	Material	
SW Filename	Concept_DMO-04_01	General tolerance	DIN ISO 2768-c	Mass [kg]	
Comments:		Shape / Pos. tol.	NEN ISO 1101	Roughness	NEN ISO 1302

Scale: 1:20	Projection	Description:	Art.Nr:	Sheet	Format:
Units: mm		Cabinet 2000x1800x800	DMO_04	1 of 6	A3