

GRP storage cabinet: DMO-01

Dräger Marine & Offshore cabinets are designed for tough offshore conditions. Manufactured from durable GRP material, these cabinets are rated to IP56, certified by Lloyds. All cabinets are manufactured with stainless steel locks and hinges. The cabinets can be configured to suit different storage requirements.



Features

Room to store

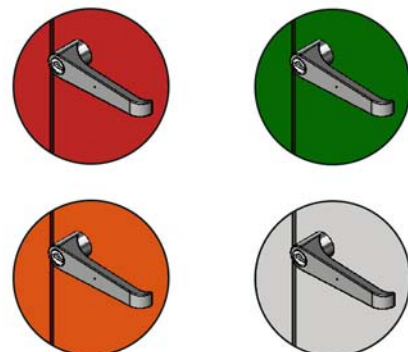
- Fireman's equipment (5 complete sets incl. SCBA)
- Survival suits (up to 40pcs depending on size)
- Life jackets (up to 70pcs depending on type)
- Emergency response team equipment
- Helideck crash equipment (incl. ladder & grab hook)

Options

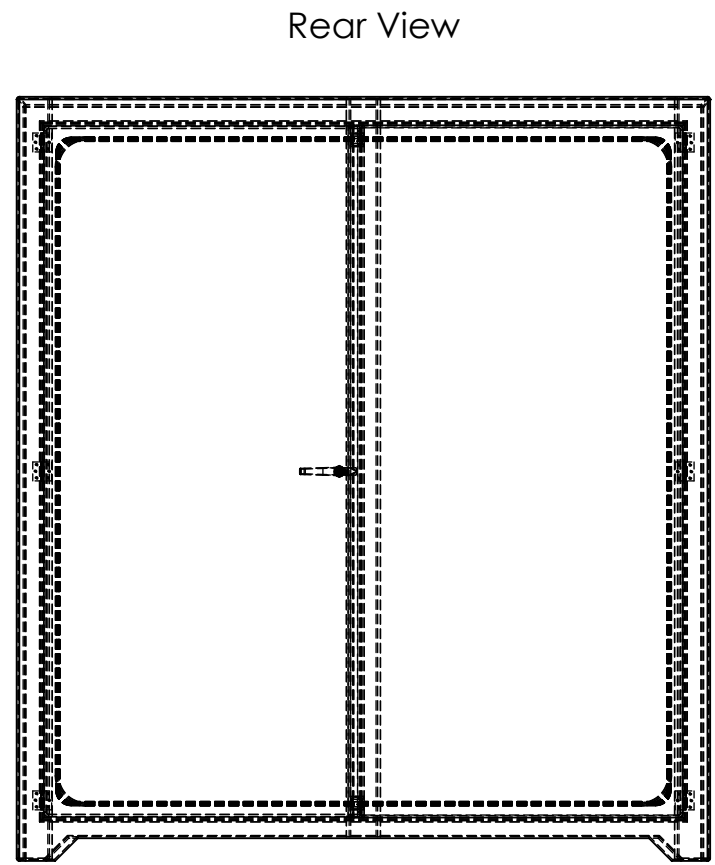
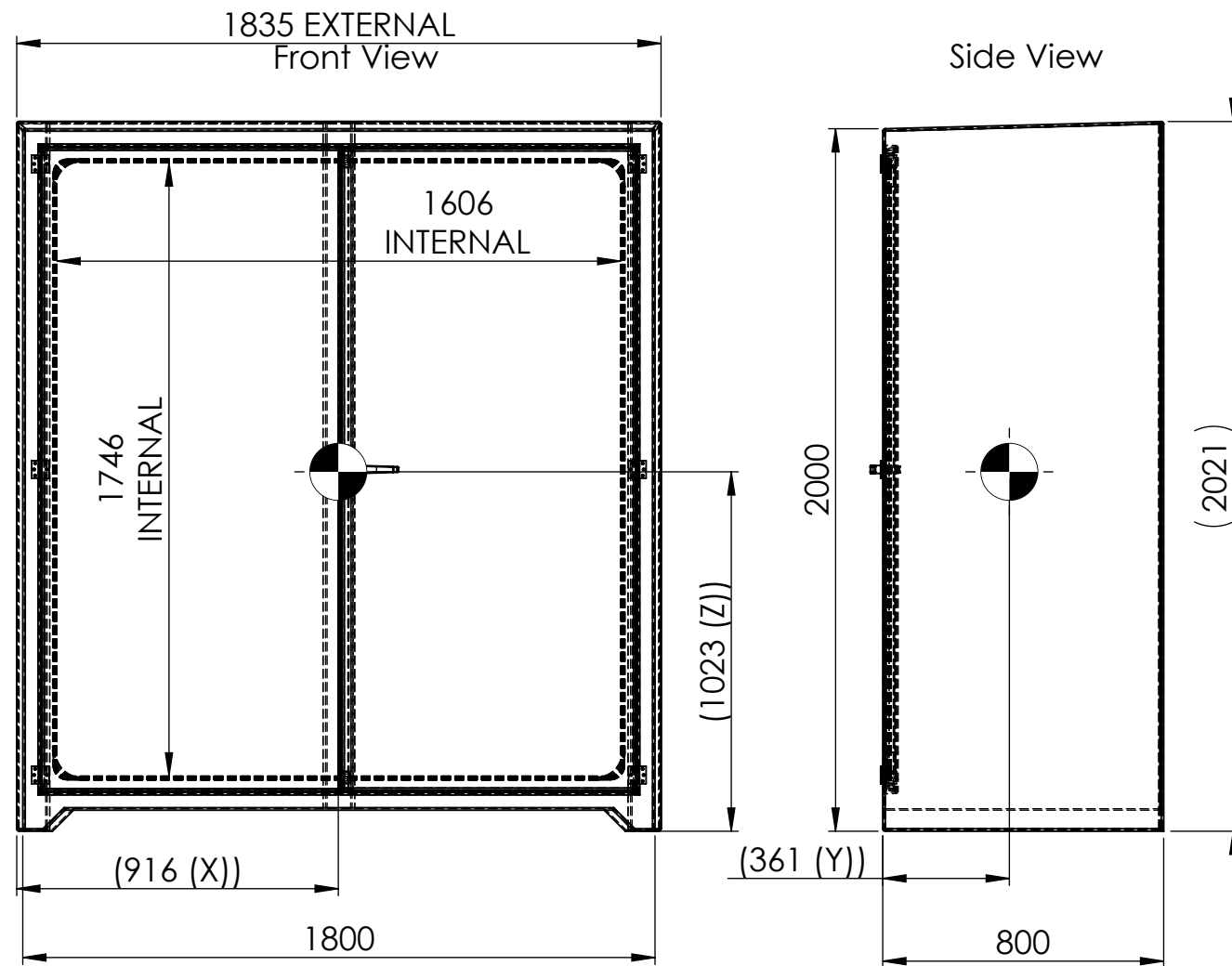
- Shelves / bulkhead / clothing bar
- Ventilation
- Flame retardant version
- Heaters (conventional / ATEX approved)
- Lighting (conventional / ATEX approved)
- Lettering

TECHNICAL SPECIFICATIONS

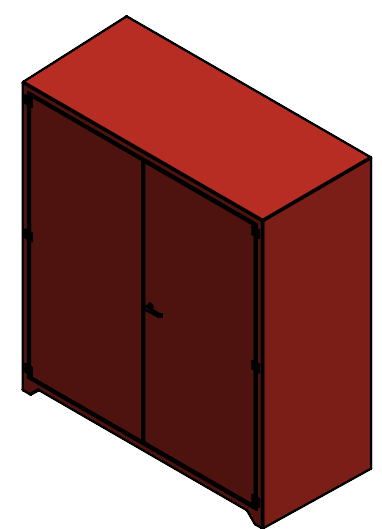
Dimensions	1835 x 800 x 2021 mm (WxDxH)
Aperture dimensions	1606 x 800 x 1746 mm (WxDxH)
Angle of door opening	90°
Weight	95 kgs
Material	GRP
Color	Safety Green RAL 6002 Firefighting Red RAL 3000 Safety Orange RAL 2009 Lifesaving White RAL 9010
IP rating	IP56
Door catch	Nylon
Door handle	SS 316
Hinges	SS 316
Seal	EPDM
Reinforcement	Core material
Lettering	White
Approvals	IP56 BS EN 60529:1992 Lloyds



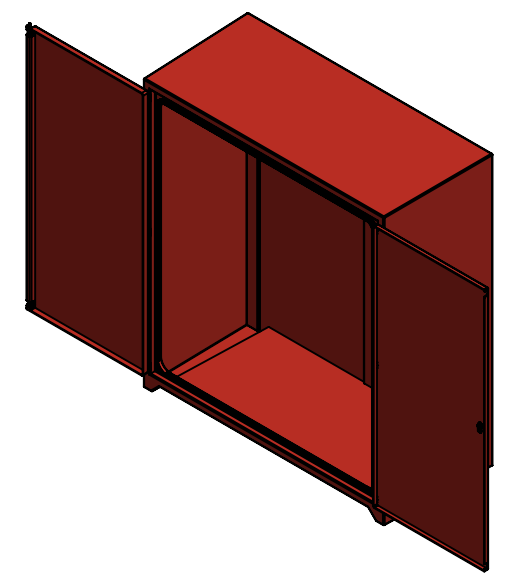
GRP storage cabinet: DMO-01
IP56 rated and Lloyds certified



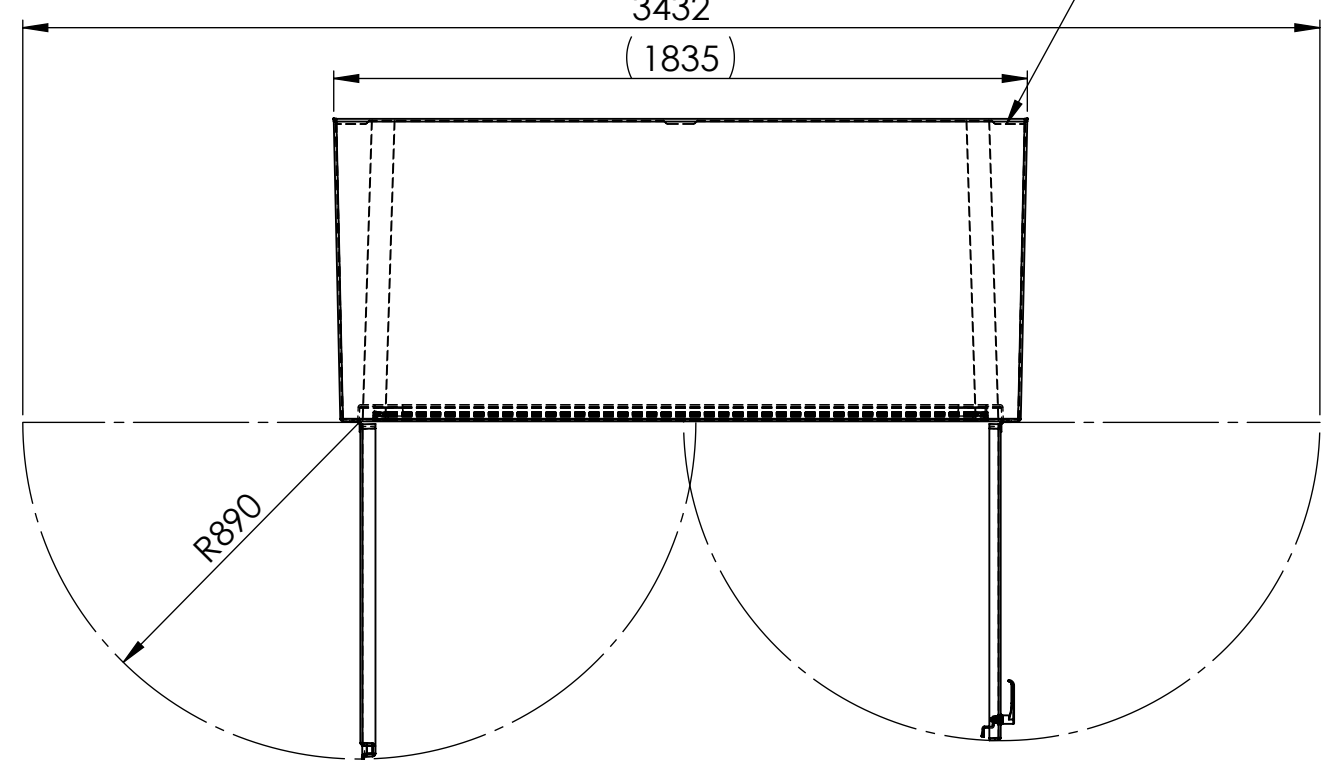
ISO View



DMO-01_00



Top View
3432
(1835)



Colour	RALxxxx
Material	3-4mm GRP
Lock and hinges	Stainless steel 316
Weight cabinet	xxKg
Weight cabinet incl. content	Invulbaar
C.O.G.	X-916 / Y-372 / Z-1025 from datum
Text on cabinet	Invulbaar
Tag on cabinet	Invulbaar
Mounting instructions	Invulbaar

Storage for	
-------------	--

Dräger	Date	Name	SW Filename
	Drawn 17-1-2023	B.S.	DMO-01_00
Dräger Nederland B.V. Marine & Offshore Beurtschipperstraat 1 3194 DK, Hoogvliet-RT the Netherlands		Comments:	+31 10 2952772

Scale: 1:20	Projection	Description:	Art.Nr:	Sheet	Format:
Units: mm		DMO Cabinet 01	DMO_01	1 of 6	A3