

Dräger - your marine safety specialist

Foam system components
Catalogue

Dräger Nederland B.V.
Marine & Offshore

Tel.: +31 (0)10 - 295 2740

Fax: +31 (0)10 - 295 2709

sales-mo.sd.nl@draeger.com

www.draeger-mo.com

© Copyright Dräger Nederland B.V.

All rights reserved. Reproduction in whole or part without prior written permission from Dräger is prohibited. Great care has been taken throughout the catalogue to be accurate, but Dräger cannot accept any responsibility for any errors or omissions which might occur.

All products, logos, names and technologies are trademarks and/or registered trademarks of their respective companies.

2016

Safety on board

As a Total Care Service organization Dräger would like to team up with your company as the service company for the annual service and maintenance for the following Fire fighting, Rescue & Safety (FRS) equipment.

Our scope of service capabilities includes (but is not limited to):

- portable and wheeled fire extinguishers
- fixed fire suppression systems and foam systems
- fire hoses and spray nozzles
- survival suits and lifejackets
- portable and fixed gas detection
- breathing protection and breathing compressors and fireman's outfits

ONE PARTNER FOR ALL FRS SOLUTIONS

Dräger has readily available resources to send qualified service teams and offshore containers offshore which have the skills to perform the required service on the above equipment in one visit.

This not only reduces overhead in organizing service and travelling of technicians but also gives you one point of contact for all maintenance, certification and related administration.

SAFETY MANAGEMENT SYSTEM

Our technicians all have offshore experience, and are trained to the required standards. Dräger is in possession of a ISO9001 certificate, has a Safety Management System in place and is an approved service organization for major class societies.

DEDICATED TO THE OFFSHORE WORLD

Years of experience and highly trained and certified technicians make Dräger an authority on fire fighting, rescue and safety projects for the marine and offshore industries. Our organization has a strong global presence and meets all of the requirements of high safety and quality standards.

Dräger Marine & Offshore is located in Rotterdam, Aberdeen and Stavanger. Dräger is available 24 hours a day, seven days a week and 365 days a year.

Meeting our customers needs is the cornerstone of our organization. We clearly understand that long-lasting relationships are built upon mutual trust and proven reliability.

DRÄGER INTERNATIONAL

Dräger was founded in 1889 in Lübeck, Germany. Dräger is one of the world's leading suppliers of personal protective equipment, gas detection technology, and interdisciplinary system solutions for total hazard management. The company, with more than 13,500 employees, has global sales of over 500 million euros.

Dräger. Technology for life.

Advanced service system

MONITORING MAINTENANCE

Dräger uses advanced ERP planning and registration software by Microsoft Navision®, which offers:

- Barcode marking of all equipment
- Equipment will be integrated into our ERP system
- ERP system equipped with service planning software
- One click overview of service to be performed per rig, per year
- Annual budget forecasting for up to five years

ADVANTAGES

- Every service action can be planned
- One overview of all equipment on board of all rigs
- One overview of service performed on a unit basis
- Certificates produced straight from the system

Every single item is registered:

- Barcode
- Serial number
- Type of equipment
- Manufacturer
- Lifetime of equipment
- Service actions required
- Special surveys

MOBILE WORKSHOP ON BOARD

Dräger has DNV approved offshore service containers, fully equipped with test equipment, spare parts and replacements, to perform FRS service on board of a platform.

The containers have been equipped with a computerized Dräger SCBA test bench and other test equipment. Service of fire fighting, life saving appliances such as life jackets and survival suits, portable and fixed gas detection equipment, hospital oxygen systems etc can all be performed on board.

Alongside the test equipment these containers have enough spare parts and new equipment to be able to carry out repairs and/or replace defective equipment as required.

FRS CERTIFICATE PORTAL

Dräger offers you the FRS Certificate Portal:

- Review, print, download and e-mail certificates in a digital online environment
- 24/7 availability, all you need is an Internet connection
- All certificates are clearly organized per order
- Only one login code needed for complete overview of all installations / locations / vessels
- This service is free of charge
- Registration via www.draeger-mo.com

This service is meant for everybody who manages FRS certificates on board of your rig.

Total Care FRS service contract concepts

In some cases it can be desirable to use service contracts to have a stable overview of what can be expected from service costs in the future. Dräger has developed two concepts offering a variable degree of certainty about future maintenance (and replacement) costs. We are able to offer contracts where the variables of service cost and replacements can be contractually bound. The contracts are developed to offer two degrees of certainty and are named as described in the following paragraph.

DRÄGER OFFSHORE SERVICE CONCEPTS

Dräger offers two service contract solutions to accommodate different customer requirements:

- Dräger Premium
- Dräger Life Cycle Management

These concepts form the basis for installment of service contracts, offering multiple levels of security on future FRS service spending.

DRÄGER PREMIUM

An Dräger Premium contract takes away uncertainty about current and future service costs and requires less administrative involvement of the customer.

Dräger-Premium covers all annual service needs:

- Deployment of offshore container to rig location
- Deployment of Dräger service technicians
- Includes all agreed FRS service activities
- Possibility to include discount on product groups and parts
- One-stop onboard service and maintenance of all FRS equipment
- Fully equipped offshore container, including all service equipment
- Small stock of new replacements present in container
- Spare parts and replacements are not included

DRÄGER PREMIUM ADVANTAGES

- One annual visit to service all FRS equipment
- Includes all mandatory service actions for the included equipment
- No backflow of service intervals
- One PO and one invoice per rig / per year
- Less administrative involvement of customer

DRÄGER LIFE CYCLE MANAGEMENT

The most advanced service contract is the Dräger Life Cycle Management contract.

Dräger LCM covers your concerns about FRS service and replacement to one service provider:

Dräger-Premium package plus:

- Replacement of the equipment at the end of the life cycle (excluding replacement of fixed equipment: hydrants, CO2 installations, etc.)
- Replacements of spare parts
- Standardization of equipment by replacement with latest standards and approvals
- Exchange equipment when necessary
- Requires preparation to implement
- An exact FRS inventory list per rig is required
- Easy to maintain / extent / decrease

DRÄGER LIFE CYCLE MANAGEMENT ADVANTAGES

- Only one visit to the rig
- Less involvement of crew in the service activities
- No additional spare part costs
- The equipment is up to date and in optimal condition
- Equipment to the latest technical/approval standards
- Crew members are more easily redistributed between rigs (because of standardization of equipment)

Rental equipment and training

RENTAL EQUIPMENT

Via a rental pool Dräger makes all the safety-relevant equipment required (during shutdown) available to you, from communications technology or gas detection devices to personal protection equipment.

Renting devices – with predictable rental rates – is the ideal solution for clearly defined projects. If necessary, we provide you with detailed advice which devices you should keep available in which numbers.

You can trust our experience and expect realistic projections. 10 additional gas detection devices, 20 fall arrest belts and a ladder – not everything can be scheduled down to the day. No problem. We take care of it for you.

We record all material movements in our database. This documentation enables easy controlling and also forms the basis for traceable invoicing.

TRAINING

Complete safety does not end with the purchase of safety equipment – in fact it is only the beginning!

To be effective, operators need to be competent and empowered in the use, testing and troubleshooting of safety equipment. That's where effective training is an essential addition to a user's safety regime.

With over 100 years experience in safety, Dräger is able to bring a wealth of knowledge in the use of equipment and best practice procedures in response to hazardous situations.

With a comprehensive range of training programmes for the oil and gas industry we can help to ensure your equipment and personnel are always ready – whatever the situation. Courses can be customised to suit specific requirements, known hazards or unusual applications and conducted at operational sites.

If preferred, they can also be carried out at our purpose built training facilities using simulated environments including crawl galleries and confined spaces.

Courses cover both theory and hands on use of equipment in practical applications; testing; maintenance and troubleshooting - for everything from gas detection set up and calibration – both fixed and portable; breathing apparatus; drugs and alcohol detection and first aid.

Quality, safety and liability

QUALITY

We guarantee that the offered services are performed to the very highest standards. The quality of our work and our organization is safeguarded by a certified Quality Management System ISO 9001:2000, ISO14001 and OHSAS18001.

During a contract period Dräger always commits itself to keep the Quality Management System certified and valid. In addition, we welcome an audit by your quality manager at any time.

SAFETY

Safety on board is a key consideration for all professional operators. It is therefore reassuring that our service technicians are all in possession of a basic safety certificate. They understand the possible risks on board and they know what is expected from them to ensure the safety for themselves, your crew and your assets.

Our safety management system ensures that our procedures and our behavior are regularly monitored and adjusted where required. Of course it is possible to audit our safety system. Please ask your safety manager to contact us at any time to make an appointment.

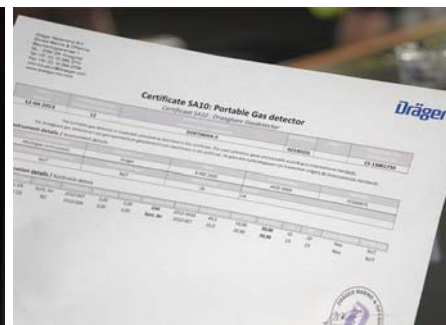
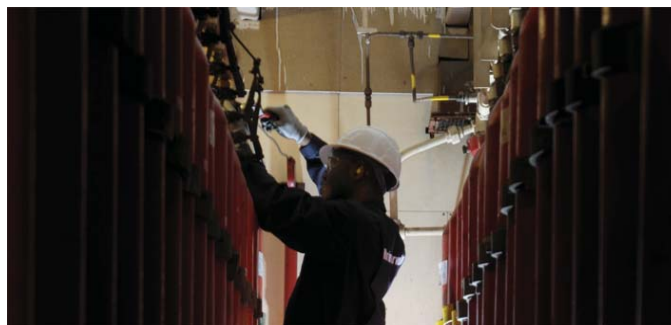
LIABILITY INSURANCE

As part of the world wide operating Dräger group (www.draeger.com) our organization is in possession of a liability insurance which cover our activities. On request we can send you a copy of the insurance policy.

CUSTOMER SATISFACTION

We are your Fire fighting, Rescue and Safety partner who will provide solutions to meet your needs. We clearly understand that long-lasting relationships are built upon mutual trust and proven reliability. Therefor customer satisfaction is a key performance indicator for us.

We constantly monitor our customer satisfaction level and strive to improve our performance, our procedures and general behavior based on your feedback. We have a procedure in place which offers you the opportunity to share your suggestions and/or concerns.



**PREMESCOLATORE A SPOSTAMENTO DI LIQUIDO – PSL
BLADDER TANK PROPORTIONING SYSTEM – PSL**



MOD. PSLV



MOD. 2XPSLV



MOD. PSLO

Descrizione

I premescolatori a spostamento di liquido sono sistemi di miscelazione composti da un serbatoio ed un miscelatore. Il serbatoio è equipaggiato con una membrana impiegata per contenere il liquido schiumogeno concentrato ed un miscelatore collegato al serbatoio. Quando in operazione, l'acqua che scorre attraverso il miscelatore genera una caduta di pressione. Questa depressione unita alla compressione della membrana consente al concentrato di essere iniettato e miscelato nell'acqua. Il sistema funziona fino a quando la riserva di schiumogeno concentrato all'interno della membrana non si esaurisce ed il serbatoio si trova carico di acqua. I Premescolatori possono essere equipaggiati con due tipologie di miscelatore denominati tipo A e tipo B. Il tipo A è la versione standard e consente un ottimo rapporto di miscelazione all'interno di un campo 1:6 mentre il tipo B è un tipo di miscelatore anche definito ad ampia portata e dunque con un campo di miscelazione più esteso. I serbatoi sono costruiti in accordo alle norme ASME o EN con spessori del serbatoio variabili in funzione dei requisiti di progetto in termini di pressione di esercizio e/o sovrappessore di corrosione. I premescolatori sono disponibili nella versione orizzontale (PSLO) e verticale (PSLV) e possono essere personalizzati in accordo ai requisiti di progetto includendo accessori quali: configurazioni a doppio serbatoio (2xPSLV), scale di accesso a passi d'uomo, inserimento di valvole a diluvio o motorizzate, pompe di caricamento manuali o elettriche, basamenti metallici, specifiche di verniciatura speciali. I premescolatori possono inoltre essere costruiti con liquido schiumogeno contenuto all'interno (SIM) all'esterno (SEM) della membrana.

Description



Bladder Tanks are positive displacement proportioning systems made of a tank and an in-line mixer. The tank is equipped with a bladder that is used to hold the foam concentrate and a mixer is directly piped to the bladder tank. When in operation, water flows into the mixer creating a pressure differential. This pressure drop together with the membrane compression allows foam concentrate to be injected into the water stream. The system works until the reserve foam concentrate inside the membrane is not exhausted and the tank is filled with water. The bladder tanks can be equipped with two types of mixers named Type A and Type B. The type A is a standard foam proportioner that allows a mixing ratio being constant over a 1:6 water flow rate range. The Type B instead is a mixer also known as a wide range proportioner and therefore capable of performing over a wider flow range. Bladder tanks are manufactured according to ASME or EN standards with variable thicknesses according to the client requirements for design pressure and corrosion allowance. Every unit is available in a horizontal (PSLO) or vertical (PSLV) configuration and is customized according to client specifications including accessories such as: double tank systems (2xPSLV), ladders for easy access to man hole(s), deluge or remote controlled valves for foam system automation, manual or electric filling pumps, skidded platforms and special painting procedures. The Bladder tank can also be manufactured with foam concentrate to be contained inside (SIM) or outside (SEM) the bladder.

Caratteristiche tecniche

Premescolatore:

- Norme di riferimento:
 - EN 13445 – 3
 - ASME VIII Div.1
- Pressione di esercizio 10 bar
- Pressione di progetto: 12 bar
- Pressione di prova del serbatoio: 17,2 bar
- Temperatura di progetto: -10°C +50°C
- Fondi e fasciame a scelta tra:
 - Acciaio al carbonio ASTM A 516 Gr.70 o EN10028-3
 - Accio inox AISI 316
- Tubazione acqua/schiuma a scelta tra:
 - Acciaio al carbonio ASTM A 106 Gr. B
 - Acciaio inox AISI 316
- Flange ANSI a scelta tra:
 - Acciaio al carbonio ASTM A 105
 - Acciaio inox AISI 316
- Direzione di flusso:
 - Sinistra > Destra
 - Destra > Sinistra
- Valvole a sfera di carico: ottone nichelato
- Valvola drenaggio a sfera: ottone nichelato
- Indicatori di livello: ottone nichelato
- Manometri: acciaio inox
- Valvola di sicurezza: ottone
- Diaframmi acqua e schiumogeno: acciaio inox AISI 316
- Membrana interna: hypalon-neoprene / nylon
- Passo d'uomo d'ispezione posizionato sul fondo superiore:
 - DN 200 per gli serbatoi con capacità ≤ 600 L
 - DN 400 per gli Serbatoi con capacità > 1000 L
- Targa dati: alluminio
- Massa a terra: acciaio INOX AISI 316

Ciclo verniciatura standard SA:

- Pulizia manuale con solvente
- Primer epossidico 60 µm
- Intermedio poliuretano 30 µm
- Finitura poliuretano 30 µm
- Spessore totale film secco 120 µm +/-10%
- Colore rosso RAL 3000

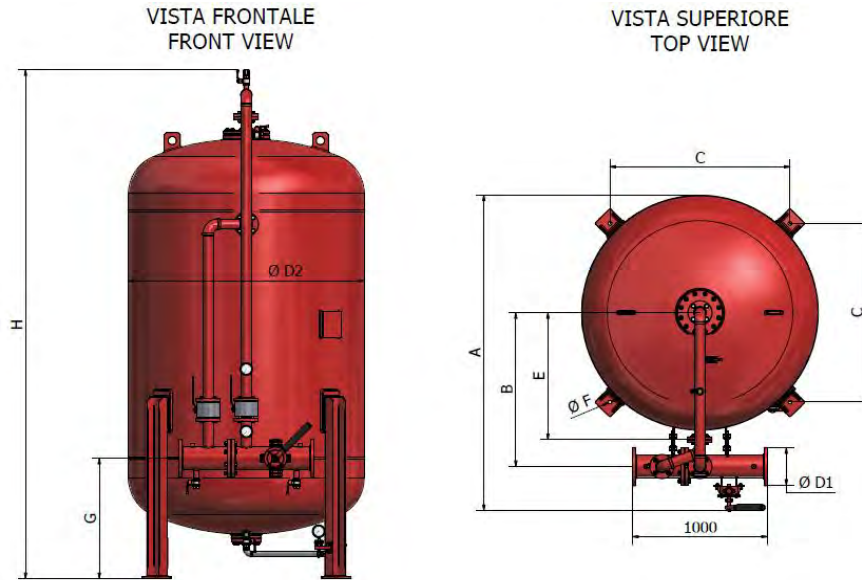
Technical characteristics

Bladder tank:

- Reference standards:
 - EN 13445 – 3
 - ASME VIII Div.1
- Working pressure: 10 bar
- Design pressure: 12 bar
- Tank test pressure: 17.2 bar
- Design temperature: -10°C +50°C
- Bottom and shell to be selected among:
 - Carbon steel ASTM A 516 Gr.70 or EN10028-3
 - Stainless steel AISI 316
- Water/foam pipe to be selected among:
 - Carbon steel ASTM A 106 Gr. B
 - Stainless steel AISI 316
- Flanges ANSI to be selected among:
 - Carbon steel ASTM A 105
 - Stainless steel AISI 316
- Flow direction:
 - Left > Right
 - Right > Left
- Filling ball valve: nickel plated brass
- Drain ball valve: nickel plated brass
- Level indicators: nickel plated brass
- Pressure gauges: stainless steel
- Safety valve: brass
- Water and concentrate foam diaphragms: AISI 316 stainless steel
- Internal bladder: hypalon-neoprene / nylon
- Manhole inspection positioned on the upper end:
 - DN 200 for tanks with capacity ≤ 600 L
 - DN 400 for the tanks with capacity > 1000 L
- Name plate: aluminium
- Ground connection: stainless steel AISI 316

Painting system standard SA:

- Manual cleaning solvent
- Epoxy primer 60 µm
- Polyurethane Intermediate 30 µm
- Polyurethane finish 30 µm
- Total thickness 120 µm dry film +/-10%
- Colour red RAL 3000



Cap. Vol.	Ø D2 mm	C mm	E mm	H mm	G mm	Ø F mm	Peso Weight kg
200	600	580	335	1725	700	18	150
400	600	580	335	2451	900		170
600	800	753	435	2306			200
1000	1000	765	535	2305		310	
1500	1000	765	535	3085		370	
2000	1100	836	585	3241		520	
2500	1200	920	635	3375		810	
3000	1300	995	685	3550		960	
3500	1400	1065	735	3615		1100	
4000	1450	1100	760	3745		1120	
4500	1500	1135	785	3755		1270	
5000	1600	1210	835	3725		1370	
5500	1600	1210	835	3975		1450	
6000	1750	1315	910	3805		1660	
6500	1800	1350	935	3835		1720	
7000	2000	1500	1035	3545		2010	
7500	2000	1500	1035	3695		2080	
8000	2000	1500	1035	3895	2200		
8500	2000	1500	1035	4045	2260		
9000	2000	1500	1035	4195	2340		
10000	2000	1500	1035	4545	2530		
11000	2000	1500	1035	4845	2690		
12000	2000	1500	1035	5195	2870		

Prosegue alla pagina seguente / Continue to the next page

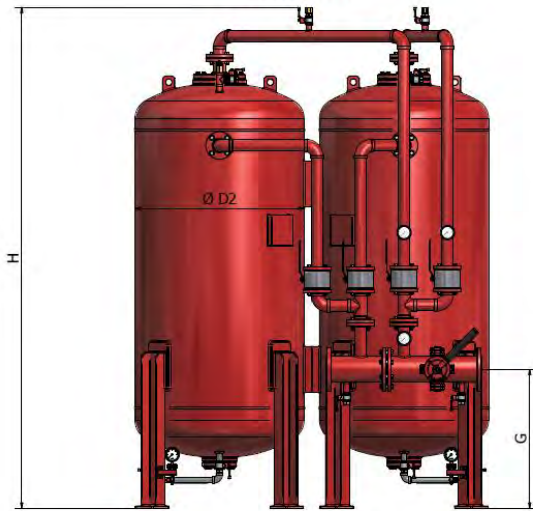
Nota:

(1) Immagine tipica: la configurazione dei tubi può variare con la dimensione del miscelatore accoppiato.

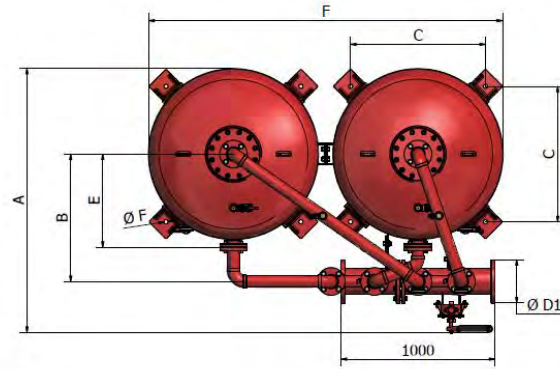
(1) Typical image: the tubing configuration may vary with the size of the installed mixer.

Cap. Vol.	MISCELATORE / MIXER																	
	Ø D1 - 2 1/2"		Ø D1 - 3"		Ø D1 - 4"		Ø D1 - 6"		Ø D1 - 8"		Ø D1 - 10"		Ø D1 - 12"		Ø D1 - 14"		Ø D1 - 16"	
	A mm	B mm	A mm	B mm	A mm	B mm	A mm	B mm	A mm	B mm	A mm	B mm	A mm	B mm	A mm	B mm	A mm	B mm
200	1085	515	1097	525	1120	535	x	x	x	x	x	x	x	x	x	x	x	x
400	1085	515	1097	525	1120	535	x	x	x	x	x	x	x	x	x	x	x	x
600	1280	615	1297	625	1320	635	x	x	x	x	x	x	x	x	x	x	x	x
1000	1490	725	1507	735	1530	745	1587	775	x	x	x	x	x	x	x	x	x	x
1500	1490	725	1507	735	1530	745	1587	775	x	x	x	x	x	x	x	x	x	x
2000	1590	775	1607	785	1630	795	1687	825	x	x	x	x	x	x	x	x	x	x
2500	x	x	1710	835	1735	845	1790	875	1835	895	1860	920	1885	945	1910	970	1935	995
3000	x	x	1810	885	1835	895	1890	925	1935	945	1960	970	1985	995	2010	1020	2035	1045
3500	x	x	1910	935	1935	945	1990	975	2035	995	2060	1020	2085	1045	2110	1070	2135	1095
4000	x	x	1960	960	1985	970	2040	1000	2090	1025	2115	1050	2140	1075	2165	1100	2190	1125
4500	x	x	2010	985	2035	995	2090	1025	2140	1050	2165	1075	2190	1100	2215	1125	2240	1150
5000	x	x	2110	1035	2135	1045	2190	1075	2245	1105	2270	1130	2295	1155	2320	1180	2345	1205
5500	x	x	2110	1035	2135	1045	2190	1075	2245	1105	2270	1130	2295	1155	2320	1180	2345	1205
6000	x	x	2260	1110	2285	1120	2340	1150	2395	1180	2420	1205	2445	1230	2470	1255	2495	1280
6500	x	x	2310	1135	2335	1145	2395	1180	2445	1205	2470	1230	2495	1255	2520	1280	2545	1305
7000	x	x	2510	1235	2535	1245	2595	1280	2645	1305	2670	1330	2695	1355	2720	1380	2745	1405
7500	x	x	2510	1235	2535	1245	2595	1280	2645	1305	2670	1330	2695	1355	2720	1380	2745	1405
8000	x	x	2510	1235	2535	1245	2595	1280	2645	1305	2670	1330	2695	1355	2720	1380	2745	1405
8500	x	x	2510	1235	2535	1245	2595	1280	2645	1305	2670	1330	2695	1355	2720	1380	2745	1405
9000	x	x	2510	1235	2535	1245	2595	1280	2645	1305	2670	1330	2695	1355	2720	1380	2745	1405
10000	x	x	2510	1235	2535	1245	2595	1280	2645	1305	2670	1330	2695	1355	2720	1380	2745	1405
11000	x	x	2510	1235	2535	1245	2595	1280	2645	1305	2670	1330	2695	1355	2720	1380	2745	1405
12000	x	x	2510	1235	2535	1245	2595	1280	2645	1305	2670	1330	2695	1355	2720	1380	2745	1405

VISTA FRONTALE
FRONT VIEW



VISTA SUPERIORE
TOP VIEW



Cap. Vol.	Ø D2 mm	C mm	E mm	F mm	H mm	G mm	Ø F mm	Peso Weight kg
1000	1000	765	535	2100	2305	900	25	930
1500	1000	765	535	2100	3085			1100
2000	1100	836	585	2300	3241			1350
2500	1200	920	635	2500	3375			1600
3000	1300	995	685	2700	3550			1900
3500	1400	1065	735	2900	3615			2160
4000	1450	1100	760	3000	3745			2230
4500	1500	1135	785	3100	3755			2520
5000	1600	1210	835	3300	3725			2730
5500	1600	1210	835	3300	3975			2890
6000	1750	1315	910	3600	3805			3310
6500	1800	1350	935	3700	3835			3430
7000	2000	1500	1035	4100	3545			4000
7500	2000	1500	1035	4100	3695			4150
8000	2000	1500	1035	4100	3895			4360
8500	2000	1500	1035	4100	4045			4510
9000	2000	1500	1035	4100	4195			4670
10000	2000	1500	1035	4100	4545			5040
11000	2000	1500	1035	4100	4845			5360
12000	2000	1500	1035	4100	5195	5720		

Prosegue alla pagina seguente / Continue to the next page

Nota:

Note:

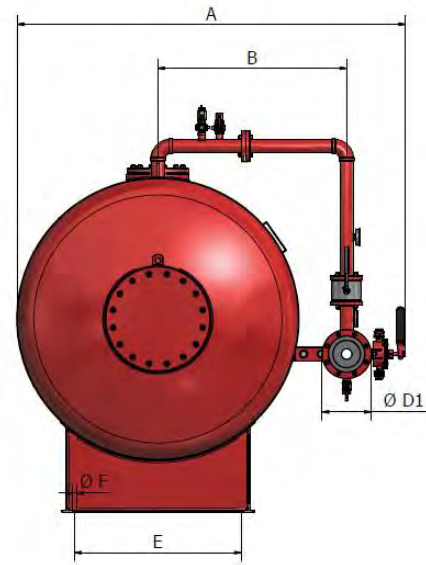
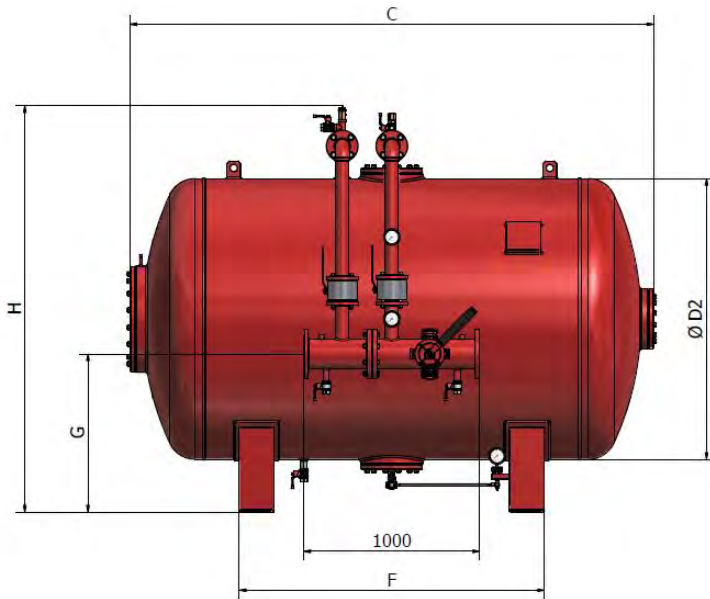
(1) Immagine tipica: la configurazione dei tubi può variare con la dimensione del miscelatore accoppiato.

(1) Typical image: the tubing configuration may vary with the size of the installed mixer.

Cap. Vol.	MISCELATORE / MIXER																	
	Ø D1 - 2 1/2"		Ø D1 - 3"		Ø D1 - 4"		Ø D1 - 6"		Ø D1 - 8"		Ø D1 - 10"		Ø D1 - 12"		Ø D1 - 14"		Ø D1 - 16"	
	A mm	B mm	A mm	B mm	A mm	B mm	A mm	B mm	A mm	B mm	A mm	B mm	A mm	B mm	A mm	B mm	A mm	B mm
1000	1490	725	1507	2100	1530	745	1587	775	x	x	x	x	x	x	x	x	x	x
1500	1490	725	1507	2100	1530	745	1587	775	x	x	x	x	x	x	x	x	x	x
2000	1590	775	1607	2300	1630	795	1687	825	x	x	x	x	x	x	x	x	x	x
2500	x	x	1710	2500	1735	845	1790	875	1835	895	1860	920	1885	945	1910	970	1935	995
3000	x	x	1810	2700	1835	895	1890	925	1935	945	1960	970	1985	995	2010	1020	2035	1045
3500	x	x	1910	2900	1935	945	1990	975	2035	995	2060	1020	2085	1045	2110	1070	2135	1095
4000	x	x	1960	3000	1985	970	2040	1000	2090	1025	2115	1050	2140	1075	2165	1100	2190	1125
4500	x	x	2010	3100	2035	995	2090	1025	2140	1050	2165	1075	2190	1100	2215	1125	2240	1150
5000	x	x	2110	3300	2135	1045	2190	1075	2245	1105	2270	1130	2295	1155	2320	1180	2345	1205
5500	x	x	2110	3300	2135	1045	2190	1075	2245	1105	2270	1130	2295	1155	2320	1180	2345	1205
6000	x	x	2260	3600	2285	1120	2340	1150	2395	1180	2420	1205	2445	1230	2470	1255	2495	1280
6500	x	x	2310	3700	2335	1145	2395	1180	2445	1205	2470	1230	2495	1255	2520	1280	2545	1305
7000	x	x	2510	4100	2535	1245	2595	1280	2645	1305	2670	1330	2695	1355	2720	1380	2745	1405
7500	x	x	2510	4100	2535	1245	2595	1280	2645	1305	2670	1330	2695	1355	2720	1380	2745	1405
8000	x	x	2510	4100	2535	1245	2595	1280	2645	1305	2670	1330	2695	1355	2720	1380	2745	1405
8500	x	x	2510	4100	2535	1245	2595	1280	2645	1305	2670	1330	2695	1355	2720	1380	2745	1405
9000	x	x	2510	4100	2535	1245	2595	1280	2645	1305	2670	1330	2695	1355	2720	1380	2745	1405
10000	x	x	2510	4100	2535	1245	2595	1280	2645	1305	2670	1330	2695	1355	2720	1380	2745	1405
11000	x	x	2510	4100	2535	1245	2595	1280	2645	1305	2670	1330	2695	1355	2720	1380	2745	1405
12000	x	x	2510	4100	2535	1245	2595	1280	2645	1305	2670	1330	2695	1355	2720	1380	2745	1405

Dimensioni e Pesi: Premescolatore Mod. PSLO

Dimensions and Weights: Bladder tank Mod. PSLO



Cap. Vol.	Ø D2 mm	C mm	E mm	F mm	H mm	G mm	Ø F mm	Peso Weight kg
1000	1000	1630	600	820	1755	900	25	550
1500	1000	2280	600	1360	1755			630
2000	1100	2490	700	1520	1855			755
2500	1200	2630	800	1560	1955			880
3000	1300	2810	800	1680	2055			1030
3500	1400	2870	850	1680	2155			1155
4000	1450	3020	850	1680	2205			1205
4500	1500	3020	850	1780	2255			1360
5000	1600	2980	950	1680	2355			1480
5500	1600	3230	950	1910	2355			1585
6000	1750	3060	1050	1680	2505			1805
6500	1800	3090	1050	1680	2555			1865
7000	2000	2800	1350	1250	2755			2150
7500	2000	2950	1350	1400	2755			2225
8000	2000	3150	1350	1600	2755			2325
8500	2000	3300	1350	1750	2755			2405
9000	2000	3450	1350	1900	2755			2480
10000	2000	3800	1350	2250	2755			2660
11000	2000	4100	1350	2550	2755			2820
12000	2000	4450	1350	2900	2755			3000

Prosegue alla pagina seguente / Continue to the next page

Cap. Vol.	MISCELATORE / MIXER															
	Ø D1 - 3"		Ø D1 - 4"		Ø D1 - 6"		Ø D1 - 8"		Ø D1 - 10"		Ø D1 - 12"		Ø D1 - 14"		Ø D1 - 16"	
	A mm	B mm	A mm	B mm	A mm	B mm	A mm	B mm	A mm	B mm	A mm	B mm	A mm	B mm	A mm	B mm
1000	1510	735	1535	745	1590	775	1635	795	1860	920	1885	945	1910	970	1935	995
1500	1510	735	1535	745	1590	775	1635	795	1960	970	1985	995	2010	1020	2035	1045
2000	1610	785	1635	795	1690	825	1735	845	2060	1020	2085	1045	2110	1070	2135	1095
2500	1710	835	1735	845	1790	875	1835	895	2115	1050	2140	1075	2165	1100	2190	1125
3000	1810	885	1835	895	1890	925	1935	945	2165	1075	2190	1100	2215	1125	2240	1150
3500	1910	935	1935	945	1990	975	2035	995	2270	1130	2295	1155	2320	1180	2345	1205
4000	1960	960	1985	970	2040	1000	2090	1025	2270	1130	2295	1155	2320	1180	2345	1205
4500	2010	985	2035	995	2090	1025	2140	1050	2420	1205	2445	1230	2470	1255	2495	1280
5000	2110	1035	2135	1045	2190	1075	2245	1105	2470	1230	2495	1255	2520	1280	2545	1305
5500	2110	1035	2135	1045	2190	1075	2245	1105	2670	1330	2695	1355	2720	1380	2745	1405
6000	2260	1110	2285	1120	2340	1150	2395	1180	2670	1330	2695	1355	2720	1380	2745	1405
6500	2310	1135	2335	1145	2395	1180	2445	1205	2670	1330	2695	1355	2720	1380	2745	1405
7000	2510	1235	2535	1245	2595	1280	2645	1305	2670	1330	2695	1355	2720	1380	2745	1405
7500	2510	1235	2535	1245	2595	1280	2645	1305	2670	1330	2695	1355	2720	1380	2745	1405
8000	2510	1235	2535	1245	2595	1280	2645	1305	2670	1330	2695	1355	2720	1380	2745	1405
8500	2510	1235	2535	1245	2595	1280	2645	1305	2670	1330	2695	1355	2720	1380	2745	1405
9000	2510	1235	2535	1245	2595	1280	2645	1305	2670	1330	2695	1355	2720	1380	2745	1405
10000	2510	1235	2535	1245	2595	1280	2645	1305	2670	1330	2695	1355	2720	1380	2745	1405
11000	2510	1235	2535	1245	2595	1280	2645	1305	2670	1330	2695	1355	2720	1380	2745	1405
12000	2510	1235	2535	1245	2595	1280	2645	1305	2670	1330	2695	1355	2720	1380	2745	1405

Opzioni

- Capacità diversa dallo standard
- Pressione di progetto diverse dallo standard
- Temperatura di progetto diversa dallo standard
- Sovrasspessore di corrosione
- Pompa manuale di caricamento completa di manichette e raccordi
- Pompa elettrica di caricamento completa di manichette e raccordi
- Scala alla marinara
- Ciclo di verniciatura diverso dallo Standard SA
- Calcoli sisma, vento e neve
- Radiografie saldature
- Liquidi penetranti per le saldature
- Per ulteriori opzioni o versioni speciali contattare SA Fire Protection

Optional

- Capacity different from standard
- Design pressure different from standard
- Design temperature different from standard
- Corrosion allowance
- Manual filling pump complete with hose and couplings
- Electrically filling pump complete with hose and couplings
- Ladder
- Painting system different from Standard SA
- Seismic, wind and snow calculations
- X-ray weld test
- Dye penetrant check weld test
- For additional options or special versions contact SA Fire Protection

MISCELATORE STANDARD - TIPO A

STANDARD MIXER - TYPE A

Caratteristiche tecniche

Versione in acciaio al carbonio: (MIXC)

- Corpo in acciaio al carbonio ASTM A 106
- Flange ANSI o UNI in acciaio al carbonio
- Diaframma calibrato acqua in AISI 316
- Diaframma calibrato concentrato schiumogeno in AISI 316 con valvola di ritegno
- Valvole sfera acqua e concentrato schiumogeno in acciaio al carbonio
- Valvole di drenaggio
 - Corpo in ottone
 - Sfera in ottone cromata
 - Tenuta in PTFE
- Manometro in AISI 316
- Pressione di esercizio 12 bar
- Pressione di progetto 16 bar
- Pressione di collaudo 24 bar
- Targa dati: alluminio

Versione in acciaio inox: (MIXI)

- Corpo in acciaio inox AISI 316
- Flange ANSI o UNI in acciaio inox AISI 316
- Diaframma calibrato acqua in AISI 316
- Diaframma calibrato concentrato schiumogeno in AISI 316 con valvola di ritegno
- Valvole sfera acqua e concentrato schiumogeno in acciaio inox
- Valvole di drenaggio
 - Corpo in ottone
 - Sfera in ottone cromata
 - Tenuta in PTFE
- Manometro in AISI 316
- Pressione di esercizio 12 bar
- Pressione di progetto 16 bar
- Pressione di collaudo 24 bar
- Targa dati: alluminio

Technical characteristics

Version in carbon steel: (MIXC)

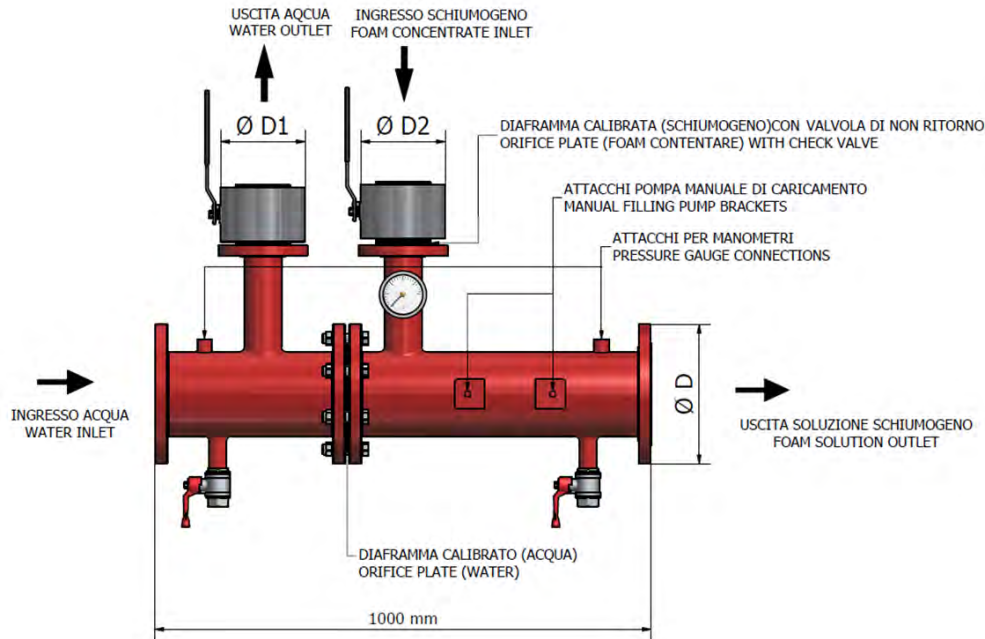
- Body in carbon steel ASTM A 106
- Flange ANSI or UNI, in carbon steel
- Calibrated water diaphragm in AISI 316
- Concentrated foam calibrated diaphragm in AISI 316 with check valve
- Water and concentrated foam ball valves in carbon steel
- Water drain valves
 - Brass body
 - Chromium plated brass ball
 - PTFE seal
- AISI 316 pressure gauge
- Working pressure 12 bar
- Design pressure 16 bar
- Test pressure 24 bar
- Name plate: aluminium

Version in stainless steel: (MIXI)

- Body in stainless steel AISI316
- Flange ANSI or UNI, in stainless steel AISI 316
- Calibrated water diaphragm in AISI 316
- Concentrated foam calibrated diaphragm in AISI 316 with check valve
- Water and concentrated foam ball valves in stainless steel
- Water drain valves
 - Brass body
 - Chromium plated brass ball
 - PTFE seal
- AISI 316 pressure gauge
- Working pressure 12 bar
- Design pressure 16 bar
- Test pressure 24 bar
- Name plate: aluminium

Dimensioni e Pesì: Miscelatore TIPO A

Dimensions and Weights: Mixer TYPE A



ØD	Ø D1	Ø D2	Portata / Flow -rate (min. - max.) l/min	Perdite di carico alla portata Head loss at flow rate bar			% Miscelazione Mixing ratio	Peso Weight kg
				Min.	Med.	Max.		
2 1/2"	1 1/4"	1 1/4"	100 ÷ 600	0.04	0.54	1.32	1 ÷ 3 ÷ 6	25
3"	1 1/2"	1 1/2"	150 ÷ 900	0.04	0.54	1.33		30
3"	1 1/2"	1 1/2"	200 ÷ 1200	0.03	0.49	1.19		30
4"	1 1/2"	1 1/2"	250 ÷ 1500	0.04	0.55	1.34		42
4"	1 1/2"	1 1/2"	350 ÷ 2100	0.03	0.48	1.18		42
4"	1 1/2"	1 1/2"	450 ÷ 2700	0.03	0.42	1.03		42
6"	2"	2"	500 ÷ 3000	0.04	0.57	1.38		65
6"	2"	2"	650 ÷ 3900	0.03	0.52	1.27		65
6"	2"	2"	900 ÷ 5400	0.03	0.45	1.10		65
8"	2 1/2"	2 1/2"	1100 ÷ 6600	0.04	0.52	1.28		88
10"	3"	3"	1680 ÷ 10080	0.04	0.53	1.29		140
10"	4"	4"	1800 ÷ 10800	0.03	0.52	1.26		140
12"	4"	4"	3500 ÷ 21000	0.03	0.45	1.09		160
12"	4"	4"	4000 ÷ 24000	0.03	0.42	1.02		160
14"	6"	6"	5000 ÷ 30000	0.03	0.41	1.00		180
16"	6"	6"	6000 ÷ 36000	0.03	0.43	1.04		200

Opzioni

- Regolatore di miscela
- Ciclo di verniciatura diverso dallo Standard SA
- Per ulteriori opzioni o versioni speciali contattare SA Fire Protection

Optional

- Mixing ratio selector
- Painting system different from Standard SA
- For additional options or special versions contact SA Fire Protection

MISCELATORE AMPIO RAGGIO - TIPO B

WIDE RANGE MIXER - TYPE B

Caratteristiche tecniche

Versione in acciaio al carbonio: (MARC)

- Corpo in bronzo
- Parti interne AISI 316
- Pressione di esercizio max. 16 bar
- Pressione di progetto 16 bar
- Pressione di collaudo 24 bar
- Finitura al naturale
- Tubi in acciaio al carbonio
- Flange ANSI o UNI in acciaio al carbonio
- Valvole sfera acqua e concentrato schiumogeno in acciaio al carbonio
- Valvole di drenaggio
 - Corpo in ottone
 - Sfera in ottone cromata
 - Tenuta in PTFE

Versione in acciaio inox: (MARI)

- Corpo in bronzo
- Parti interne AISI 316
- Pressione di esercizio max. 16 bar
- Pressione di progetto 16 bar
- Pressione di collaudo 24 bar
- Finitura al naturale
- Tubi in acciaio inox AISI 316
- Flange ANSI o UNI in acciaio inox AISI 316
- Valvole sfera acqua e concentrato schiumogeno in acciaio inox
- Valvole di drenaggio
 - Corpo in ottone
 - Sfera in ottone cromata
 - Tenuta in PTFE

Technical characteristics

Version in carbon steel: (MARC)

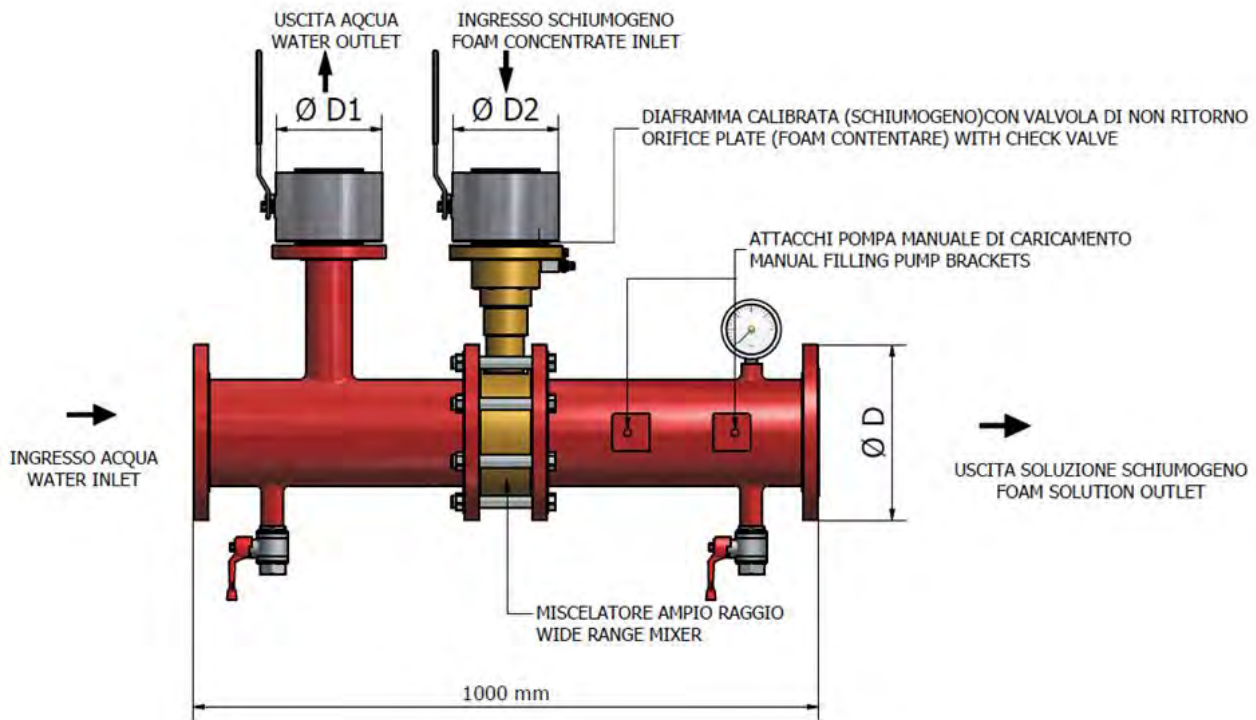
- Body in bronze
- Inner Parts: AISI 316
- Max working pressure 16 bar
- Design pressure 16 bar
- Test pressure 24 bar
- Natural surface finishing
- Piping in carbon steel
- Flange ANSI or UNI, in carbon steel
- Water and concentrated foam ball valves in carbon steel
- Water drain valves
 - Brass body
 - Chromium plated brass ball
 - PTFE seal

Version in stainless steel: (MARI)

- Body in bronze
- Inner Parts: AISI 316
- Max working pressure 16 bar
- Design pressure 16 bar
- Test pressure 24 bar
- Natural surface finishing
- Piping in stainless steel AISI316
- Flange ANSI or UNI, in stainless steel AISI 316
- Water and concentrated foam ball valves in stainless steel
- Water drain valves
 - Brass body
 - Chromium plated brass ball
 - PTFE seal

Dimensioni e Pesì: Miscelatore TIPO B

Dimensions and Weights: Mixer TYPE B



ØD	Ø D1	Ø D2	Portata / Flow -rate (min. - max.) l/min	Fattore Factor K	Perdite di carico alla portata Head loss at flow rate bar		% Miscelazione Mixing ratio	Peso Weight kg
					Min.	Max.		
4"	2"	2"	80 ÷ 2450	2040	0,3	1,5	1 ÷ 3 ÷ 6	62
6"	2"	2"	110 ÷ 5500	4585				91
8"	3"	3"	125 ÷ 10500	8660				132
10"	3"	3"	150 ÷ 16000	13115				192

Opzioni

- Regolatore di miscela
- Ciclo di verniciatura diverso dallo Standard SA
- Per ulteriori opzioni o versioni speciali contattare SA Fire Protection

Optional

- Mixing ratio selector
- Painting system different from Standard SA
- For additional options or special versions contact SA Fire Protection

Nota:

Note:

L'accuratezza del rapporto di miscelazione può deviare alle basse portate

Mixing accuracy can deviate in the low water flow range

Codice Identificativo
Identification Form

OPZIONI / OPTIONS

Mod. / / /

OPZIONI / OPTIONS

Quantità / Quantity

PREMESCOLATORE A SPOSTAMENTO DI LIQUIDO PSL / BLADDER TANK PROPORTIONING SYSTEM PSL

SERBATOIO TANK	1	Tipologia Type	Premescolatore verticale singolo Single vertical bladder tank	PSLV <input type="checkbox"/>			
			Premescolatore verticale doppio Double vertical bladder tank	2XPSLV <input type="checkbox"/>			
			Premescolatore orizzontale Horizontal bladder tank	PSLO <input type="checkbox"/>			
	2	Riempimento Filling	Liquido schiumogeno interno membrana Foam concentrate inside the membrane	SIM <input type="checkbox"/>			Tipologia standard Standard type
			Liquido schiumogeno esterno membrana Foam concentrate outside the membrane	SEM <input type="checkbox"/>			
	3	Codice costruttivo Design code	EN 13445	EN <input type="checkbox"/>			
			ASME VIII Div.1	ASME <input type="checkbox"/>			
	4	Capacità Volume	200 L	400 L	600 L	2 <input type="checkbox"/>	4 <input type="checkbox"/>
1000 L			1500 L	2000 L	10 <input type="checkbox"/>	15 <input type="checkbox"/>	20 <input type="checkbox"/>
2500 L			3000 L	3500 L	25 <input type="checkbox"/>	30 <input type="checkbox"/>	35 <input type="checkbox"/>
4000 L			4500 L	5000 L	40 <input type="checkbox"/>	45 <input type="checkbox"/>	50 <input type="checkbox"/>
5500 L			6000 L	6500 L	55 <input type="checkbox"/>	60 <input type="checkbox"/>	65 <input type="checkbox"/>
7000 L			7500 L	8000 L	70 <input type="checkbox"/>	75 <input type="checkbox"/>	80 <input type="checkbox"/>
8500 L			9000 L	10000 L	85 <input type="checkbox"/>	90 <input type="checkbox"/>	100 <input type="checkbox"/>
11000 L			12000 L		110 <input type="checkbox"/>	120 <input type="checkbox"/>	
Altro Other						F <input type="checkbox"/>	
MISCELATORE MIXER	5	Direzione flusso Flow direction	Da sinistra a destra From left to right	SD <input type="checkbox"/>			Tipologia standard Standard type
			Da destra a sinistra From right to left	DS <input type="checkbox"/>			
	6	Configurazione Configuration	Senza miscelatore Without mixer	N <input type="checkbox"/>			
			Preassemblato al premescolatore Pre-assembled to the bladder tank	P <input type="checkbox"/>			Compilare il codice identificativo del mixer pagina (D of E) Fill the mixer identification code at page (D of E)
MATERIALE MATERIAL	7	Tubazioni, flange e fasciame Piping, flanges and shell	Acciaio al carbonio Carbon steel	CAC <input type="checkbox"/>			Materiali in accordo al codice costruttivo scelto Materials according to the design code selected
			Acciaio inox AISI 316 Stainless steel AISI 316	CAI <input type="checkbox"/>			Materiali in accordo al codice costruttivo scelto Materials according to the design code selected

Prosegue alla pagina seguente / Continue to the next page

OPZIONI OPTIONS		DESCRIZIONE		SPECIFICAZIONI	
		DESCRIZIONE ITALIANA	DESCRIZIONE INGLESE	OPZIONE	NOTE
8	Pressione Pressure	Pressione di progetto diverse dallo standard Design pressure different from standard	() <input type="checkbox"/>	Compilare solo se diverso da standard. To be filled only if different from standard.	
9	Temp. Min. di progetto Min. Design temp.	Inserire due cifre precedute dal segno + o - per indicare la temperature richieste Insert two digits prefixed with the sign + or - for from required temperature	() <input type="checkbox"/>	Compilare solo se diverso da standard. Temp. min. -10°. To be filled only if different from standard. min. temp. - 10°.	
10	Temp. Max. di progetto Max. Design temp.	Inserire due cifre precedute dal segno + per indicare la temperature richieste Insert two digits prefixed with the sign + for from required temperature	() <input type="checkbox"/>	Compilare solo se diverso da standard. Temp. max. + 50°. To be filled only if different from standard. max. temp. +50°.	
11	Sovraspessore Allowance	Sovraspessore di corrosione Corrosion allowance	SC <input type="checkbox"/>	Specificare in Note il sovraspessore Specify in Notes the allowance	
12	Pompa di caricamento Filling pump	Pompa manuale di caricamento completa di manichette e raccordi Manual filling pump complete with hose and couplings	PM <input type="checkbox"/>	Compilare solo se richiesto. To be filled only if required.	
		Pompa elettrica per zona sicura di caricamento completa di manichette e raccordi Electrically filling pump with safe area complete with hose and couplings	PES <input type="checkbox"/>	Compilare solo se richiesto. To be filled only if required.	
		Pompa elettrica per zona classificata di caricamento completa di manichette e raccordi Electrically filling pump with hazardous area complete with hose and couplings	PEA <input type="checkbox"/>	Compilare solo se richiesto. To be filled only if required.	
13	Scala Ladder	Scala alla marinara Ladder	SM <input type="checkbox"/>	Compilare solo se richiesto. To be filled only if required.	
14	Verniciatura Painting	Verniciatura diversa da ciclo SA standard Painting system different for SA standard	C <input type="checkbox"/>	Specificare in Note il ciclo di verniciatura richiesto. Specify in Notes the painting procedure required.	
15	Calcoli Calculations	Calcoli sisma, vento e neve Seismic, wind and snow calculations	CSVN <input type="checkbox"/>	Compilare solo se richiesto. To be filled only if required.	
16	Radiografie X-ray	Report di controllo saldature Welding report test	RS <input type="checkbox"/>	Compilare solo se richiesto. To be filled only if required.	
17	Liquidi penetranti Dye penetrate	Report di controllo saldature Welding report test	LP <input type="checkbox"/>	Compilare solo se richiesto. To be filled only if required.	
NOTE NOTES					

Codice Identificativo
Identification Form

OPZIONI / OPTIONS

Mod.

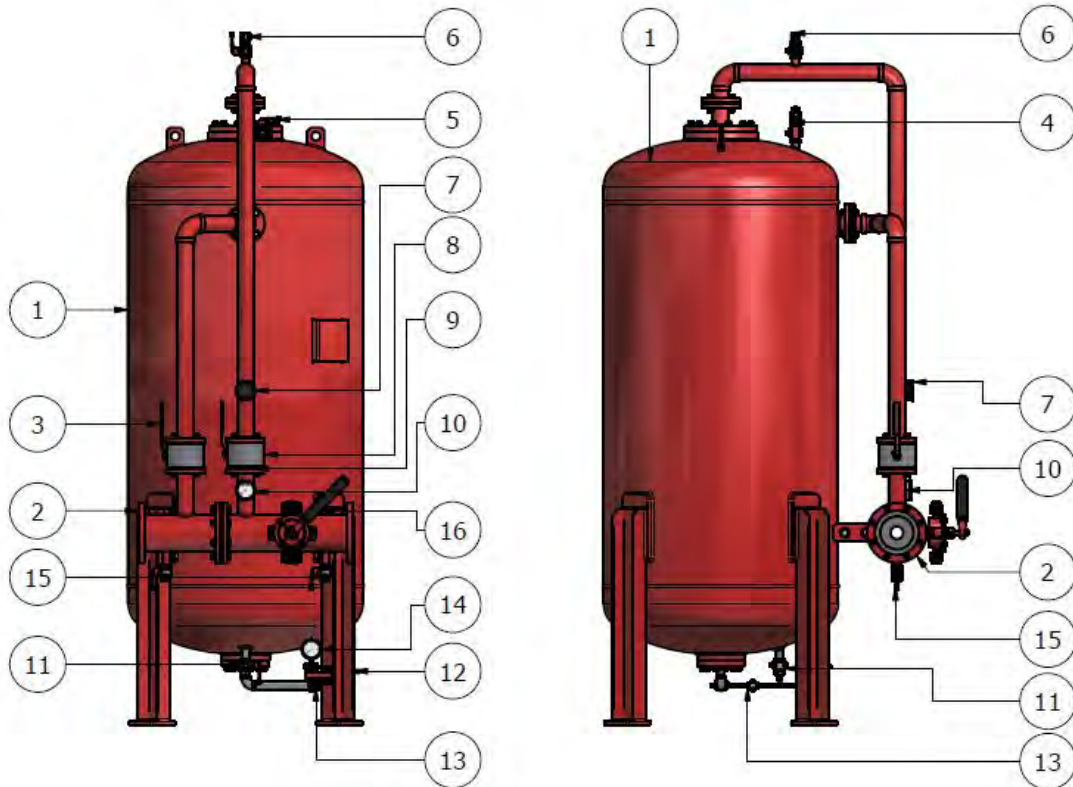
/ / / / / /

1
2
3
4
5
6
7

Quantità / Quantity

MISCELATORE / MIXER												
MISCELATORE MIXER	1	Tipologia Type	Miscelatore standard – Tipo A Standard mixer – Tipo A			MIX <input type="checkbox"/>			Tipologia standard Standard type			
			Miscelatore ad ampio raggio – Tipo B Wide range mixer – Tipo B			MAR <input type="checkbox"/>						
MISCELATORE MIXER	2	Materiale Material	Acciaio al carbonio Carbon steel			C <input type="checkbox"/>			Tipologia standard Standard type			
			Acciaio inox Stainless steel			I <input type="checkbox"/>						
FLANGIA FLANGE	3	Tipologia Type	ANSI 150lb RF			150RF <input type="checkbox"/>			Tipologia standard Standard type			
			ANSI 150lb FF			150FF <input type="checkbox"/>						
			UNI PN16			UNI <input type="checkbox"/>						
			Altro Other			F <input type="checkbox"/>			Specificare in Note la tipologia di flangia richiesta. Specify in Notes the type of flange requested.			
PORTATA FLOW RATE	4	Miscelatore - TIPO A Mixer - TYPE A	100 ÷ 600	150 ÷ 900	200 ÷ 1200	6 <input type="checkbox"/>	9 <input type="checkbox"/>	12 <input type="checkbox"/>				
			250 ÷ 1500	350 ÷ 2100	450 ÷ 2700	15 <input type="checkbox"/>	21 <input type="checkbox"/>	27 <input type="checkbox"/>				
			500 ÷ 3000	650 ÷ 3900	900 ÷ 5400	30 <input type="checkbox"/>	39 <input type="checkbox"/>	54 <input type="checkbox"/>				
			1100 ÷ 6600	1680 ÷ 10080	1800 ÷ 10800	66 <input type="checkbox"/>	100 <input type="checkbox"/>	108 <input type="checkbox"/>				
			3500 ÷ 21000	4000 ÷ 24000	5000 ÷ 30000	210 <input type="checkbox"/>	240 <input type="checkbox"/>	300 <input type="checkbox"/>				
			6000 ÷ 36000			360 <input type="checkbox"/>						
		Altro Other			F <input type="checkbox"/>			Specificare in Note la portata Specify in Notes the flow rate				
		Miscelatore - TIPO B Mixer - TYPE B		80 ÷ 2450	110 ÷ 5500	125 ÷ 10500	24 <input type="checkbox"/>	55 <input type="checkbox"/>	105 <input type="checkbox"/>			
				150 ÷ 16000			160 <input type="checkbox"/>					
				Altro Other			F <input type="checkbox"/>			Specificare in Note la portata Specify in Notes the flow rate		
		% MISCELAZIONE MIXING RATIO	5	Percentuale di miscelazione Mixing ratio	1%			1P <input type="checkbox"/>			Specificare in Note la tipologia liquido schiumogeno impiegato. Specify in Notes the foam concentrate type.	
					3%			3P <input type="checkbox"/>				
6%					6P <input type="checkbox"/>							
Altro other					P <input type="checkbox"/>			Specificare in Note la % Specify in Notes the mixing ratio				
OPZIONI OPTIONS	6	Regolatore Ratio selector	Regolatore di miscela Mixing ratio selector			RM <input type="checkbox"/>			Compilare solo se richiesto. To be filled only if required.			
		7	Verniciatura Painting	Verniciatura diversa da ciclo SA standard Painting system different for SA standard			C <input type="checkbox"/>			Specificare in Note il ciclo di verniciatura richiesto. Specify in Notes the painting procedure required.		
N O T E												

TIPO / TYPE PSLV/SIM/MIX



Posizioni

1. Serbatoio con liquido schiumogeno interno membrana
2. Miscelatore
3. Valvola intercettazione acqua
4. Valvola di sicurezza
5. Valvola di sfiato acqua
6. Valvola sfiato schiumogeno
7. Manometro serbatoio
8. Valvola intercettazione schiumogeno
9. Valvola di non ritorno schiumogeno
10. Manometro miscelatore
11. Valvola drenaggio acqua
12. Valvola riempimento / drenaggio schiumogeno
13. Valvola dreno indicatore di livello
14. Indicatore di livello schiumogeno
15. Valvola dreno linea
16. Pompa manuale di caricamento

Nota:

Per il collegamento della pompa manuale vedere la scheda relativa a questo articolo

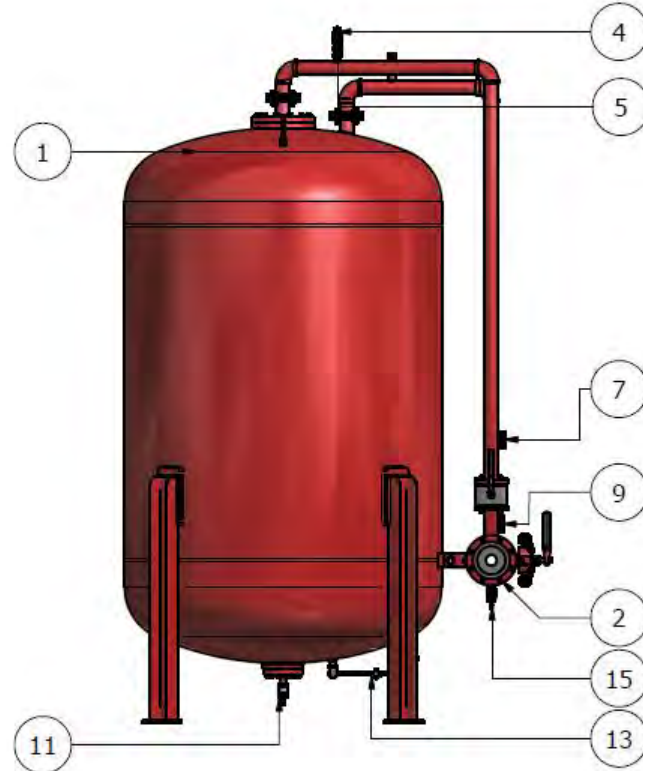
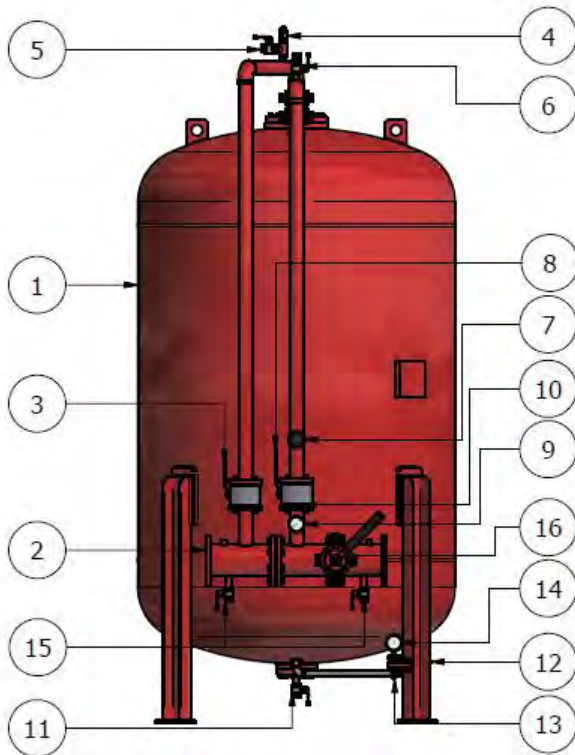
Items

1. Bladder tank with foam concentrate inside the membrane
2. Mixer
3. Water check valve
4. Safety valve
5. Water vent valve
6. Foam vent valve
7. Tank pressure gauge
8. Foam check valve
9. Foam non return valve
10. Mixer pressure gauge
11. Water drain valve
12. Foam filling/drain valve
13. Level indicator drain valve
14. Foam level indicator
15. Line drain valve
16. Manual filling pump

Note:

Manual filling pump connection: refer to data sheet of the manual filling pump

TIPO / TYPE PSLV/SEM/MIX



Posizioni

1. Serbatoio con liquido schiumogeno esterno membrana
2. Miscelatore
3. Valvola intercettazione acqua
4. Valvola di sicurezza
5. Valvola di sfiato acqua
6. Valvola sfiato schiumogeno
7. Manometro serbatoio
8. Valvola intercettazione schiumogeno
9. Valvola di non ritorno schiumogeno
10. Manometro miscelatore
11. Valvola drenaggio acqua
12. Valvola riempimento / drenaggio schiumogeno
13. Valvola dreno indicatore di livello
14. Indicatore di livello schiumogeno
15. Valvola dreno linea
16. Pompa manuale di caricamento

Nota:

Per il collegamento della pompa manuale vedere la scheda relativa a questo articolo

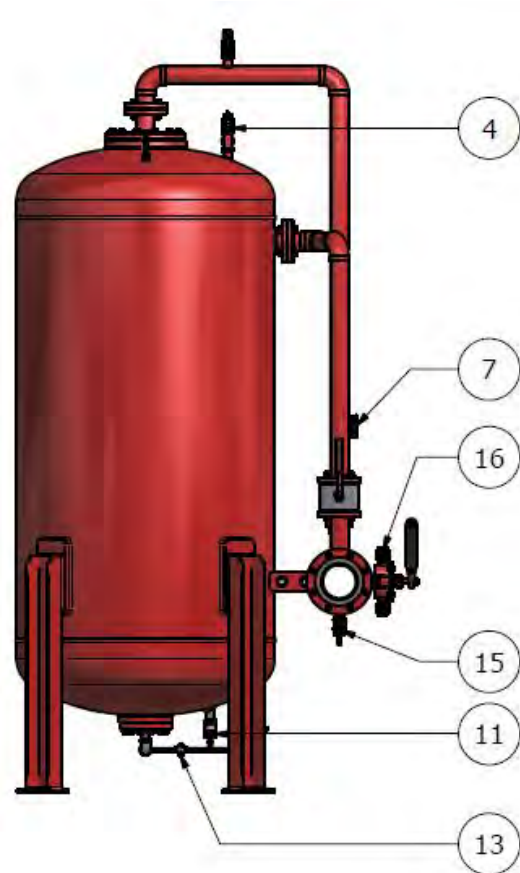
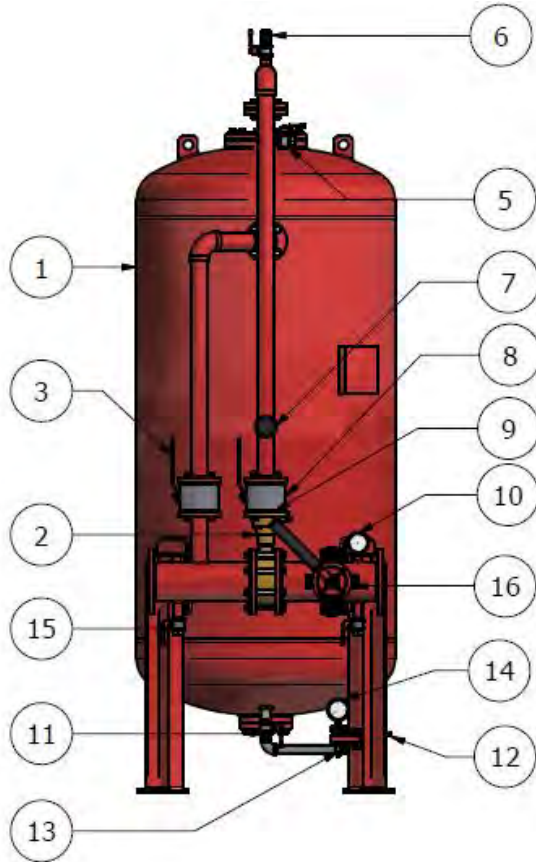
Items

1. Bladder tank with foam concentrate outside the membrane
2. Mixer
3. Water check valve
4. Safety valve
5. Water vent valve
6. Foam vent valve
7. Tank pressure gauge
8. Foam check valve
9. Foam non return valve
10. Mixer pressure gauge
11. Water drain valve
12. Foam filling/drain valve
13. Level indicator drain valve
14. Foam level indicator
15. Line drain valve
16. Manual filling pump

Note:

Manual filling pump connection: refer to data sheet of the manual filling pump

TIPO / TYPE PSLV/SIM/MAR



Posizioni

1. Serbatoio con liquido schiumogeno interno membrana
2. Miscelatore ad ampio raggio
3. Valvola intercettazione acqua
4. Valvola di sicurezza
5. Valvola di sfiato acqua
6. Valvola sfiato schiumogeno
7. Manometro serbatoio
8. Valvola intercettazione schiumogeno
9. Valvola di non ritorno schiumogeno
10. Manometro miscelatore
11. Valvola drenaggio acqua
12. Valvola riempimento / drenaggio schiumogeno
13. Valvola dreno indicatore di livello
14. Indicatore di livello schiumogeno
15. Valvola dreno linea
16. Pompa manuale di caricamento

Nota:

Per il collegamento della pompa manuale vedere la scheda relativa a questo articolo

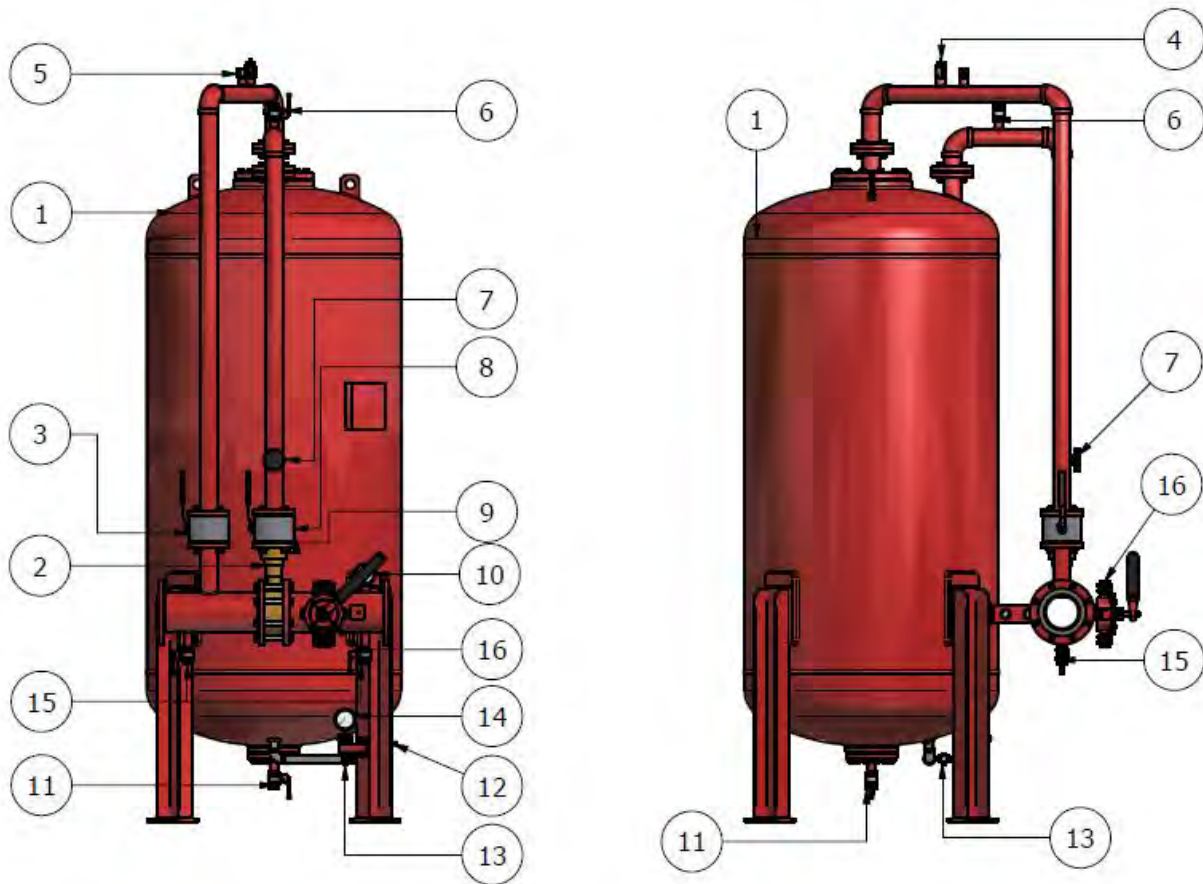
Items

1. Bladder tank with foam concentrate inside the membrane
2. Wide range mixer
3. Water check valve
4. Safety valve
5. Water vent valve
6. Foam vent valve
7. Tank pressure gauge
8. Foam check valve
9. Foam non return valve
10. Mixer pressure gauge
11. Water drain valve
12. Foam filling/drain valve
13. Level indicator drain valve
14. Foam level indicator
15. Line drain valve
16. Manual filling pump

Note:

Manual filling pump connection: refer to data sheet of the manual filling pump

TIPO / TYPE PSLV/SEM/MAR



Posizioni

1. Serbatoio con liquido schiumogeno esterno membrana
2. Miscelatore ad ampio raggio
3. Valvola intercettazione acqua
4. Valvola di sicurezza
5. Valvola di sfiato acqua
6. Valvola sfiato schiumogeno
7. Manometro serbatoio
8. Valvola intercettazione schiumogeno
9. Valvola di non ritorno schiumogeno
10. Manometro miscelatore
11. Valvola drenaggio acqua
12. Valvola riempimento / drenaggio schiumogeno
13. Valvola dreno indicatore di livello
14. Indicatore di livello schiumogeno
15. Valvola dreno linea
16. Pompa manuale di caricamento

Nota:

Per il collegamento della pompa manuale vedere la scheda relativa a questo articolo

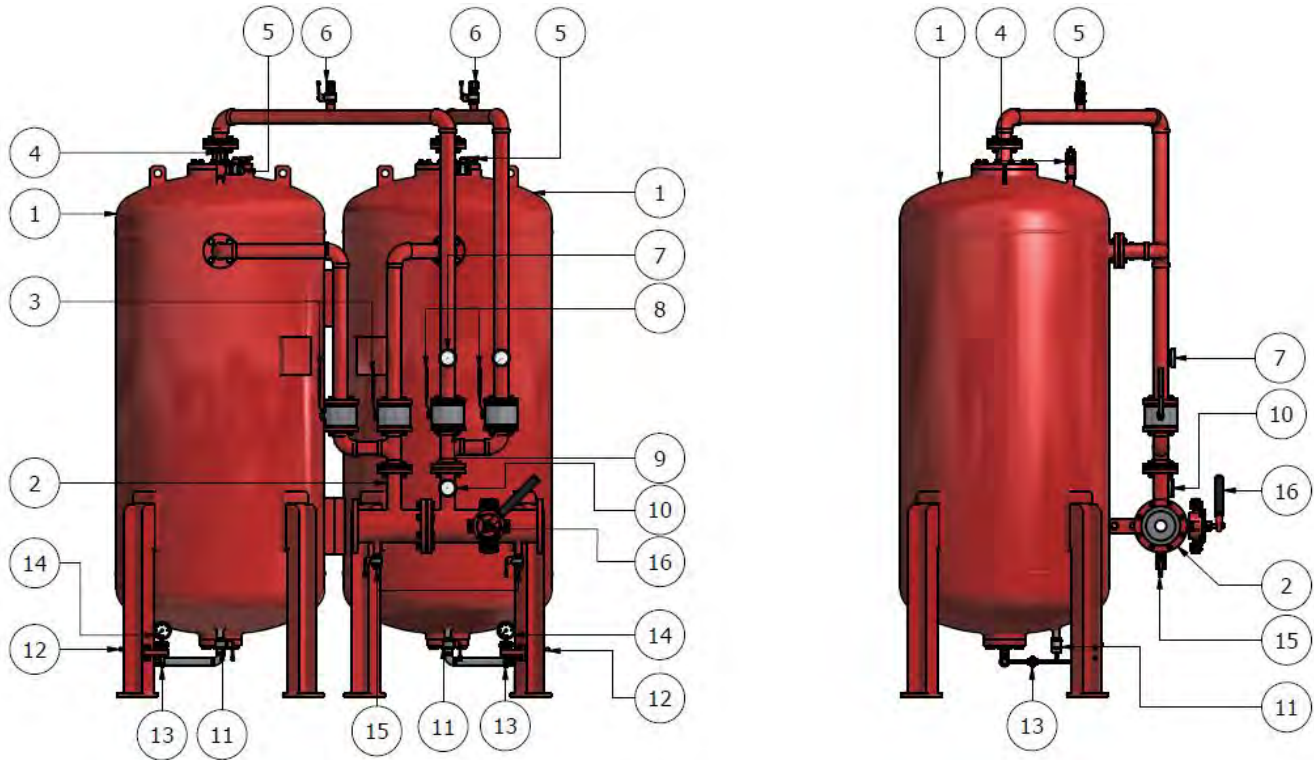
Items

1. Bladder tank with foam concentrate outside the membrane
2. Wide range mixer
3. Water check valve
4. Safety valve
5. Water vent valve
6. Foam vent valve
7. Tank pressure gauge
8. Foam check valve
9. Foam non return valve
10. Mixer pressure gauge
11. Water drain valve
12. Foam filling/drain valve
13. Level indicator drain valve
14. Foam level indicator
15. Line drain valve
16. Manual filling pump

Note:

Manual filling pump connection: refer to data sheet of the manual filling pump

TIPO / TYPE 2XP/SLV/SIM/MIX



Posizioni

1. Serbatoio con liquido schiumogeno interno membrana
2. Miscelatore
3. Valvola intercettazione acqua
4. Valvola di sicurezza
5. Valvola di sfiato acqua
6. Valvola sfiato schiumogeno
7. Manometro serbatoio
8. Valvola intercettazione schiumogeno
9. Valvola di non ritorno schiumogeno
10. Manometro miscelatore
11. Valvola drenaggio acqua
12. Valvola riempimento / drenaggio schiumogeno
13. Valvola dreno indicatore di livello
14. Indicatore di livello schiumogeno
15. Valvola dreno linea
16. Pompa manuale di caricamento

Nota:

Per il collegamento della pompa manuale vedere la scheda relativa a questo articolo

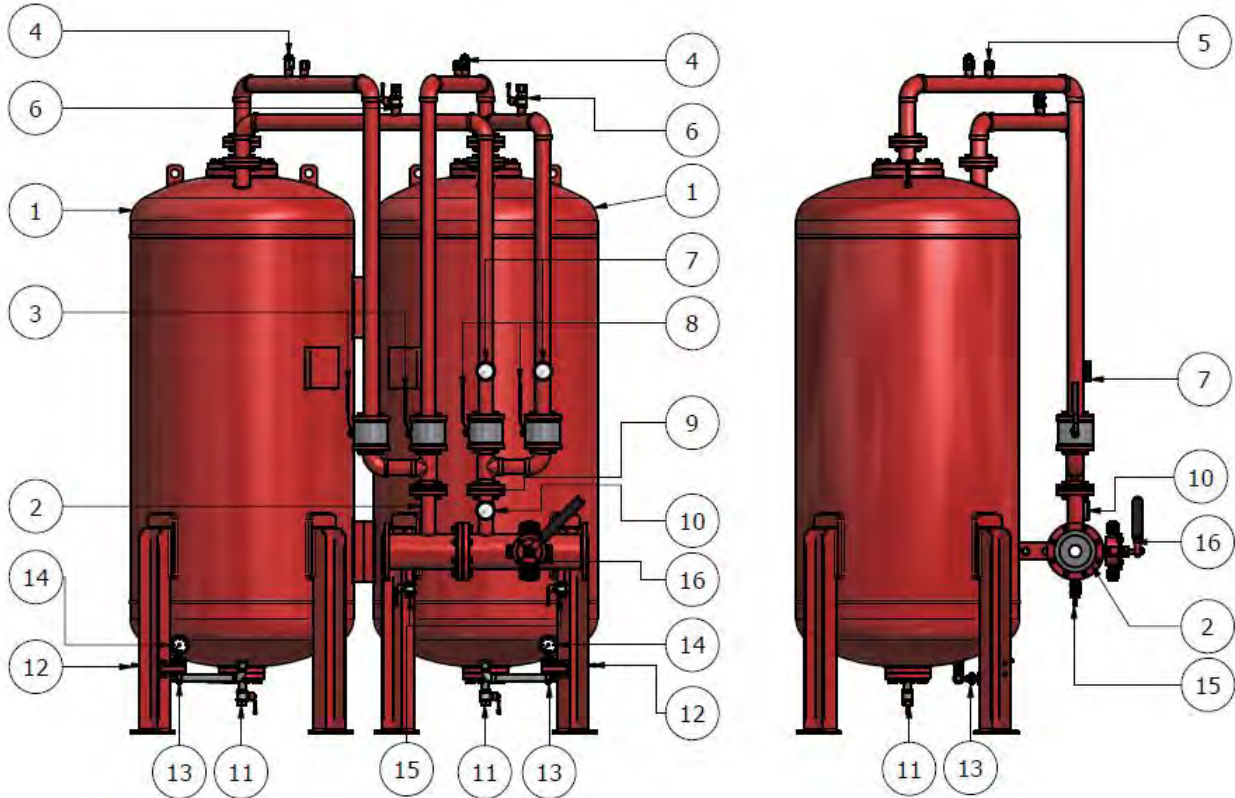
Items

1. Bladder tank with foam concentrate inside the membrane
2. Mixer
3. Water check valve
4. Safety valve
5. Water vent valve
6. Foam vent valve
7. Tank pressure gauge
8. Foam check valve
9. Foam non return valve
10. Mixer pressure gauge
11. Water drain valve
12. Foam filling/drain valve
13. Level indicator drain valve
14. Foam level indicator
15. Line drain valve
16. Manual filling pump

Note:

Manual filling pump connection: refer to data sheet of the manual filling pump

TIPO / TYPE 2XPSLV/SEM/MIX



Posizioni

17. Serbatoio con liquido schiumogeno esterno membrana
18. Miscelatore
19. Valvola intercettazione acqua
20. Valvola di sicurezza
21. Valvola di sfiato acqua
22. Valvola sfiato schiumogeno
23. Manometro serbatoio
24. Valvola intercettazione schiumogeno
25. Valvola di non ritorno schiumogeno
26. Manometro miscelatore
27. Valvola drenaggio acqua
28. Valvola riempimento / drenaggio schiumogeno
29. Valvola dreno indicatore di livello
30. Indicatore di livello schiumogeno
31. Valvola dreno linea
32. Pompa manuale di caricamento

Nota:

Per il collegamento della pompa manuale vedere la scheda relativa a questo articolo

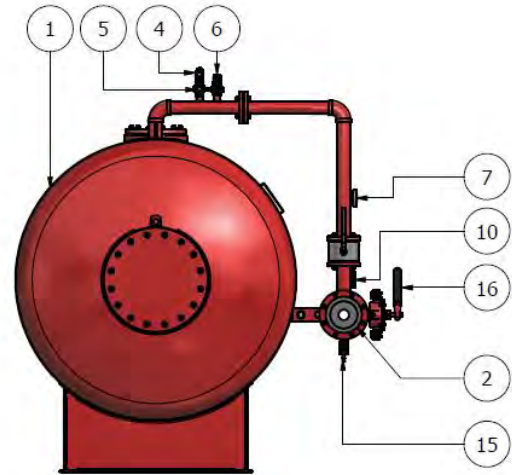
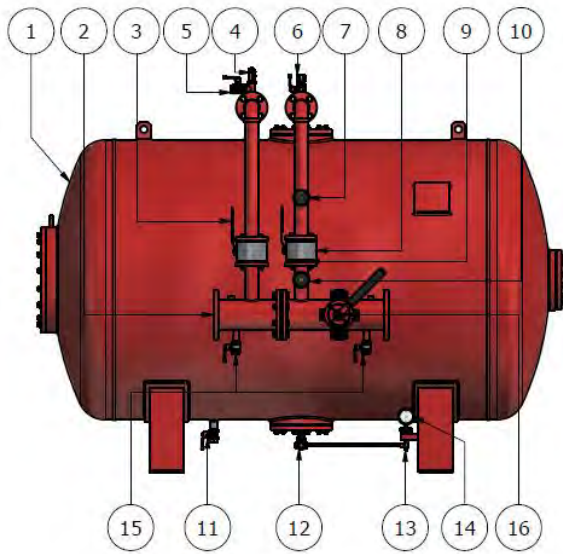
Items

1. Bladder tank with foam concentrate outside the membrane
2. Mixer
3. Water check valve
4. Safety valve
5. Water vent valve
6. Foam vent valve
7. Tank pressure gauge
8. Foam check valve
9. Foam non return valve
10. Mixer pressure gauge
11. Water drain valve
12. Foam filling/drain valve
13. Level indicator drain valve
14. Foam level indicator
15. Line drain valve
16. Manual filling pump

Note:

Manual filling pump connection: refer to data sheet of the manual filling pump

TIPO / TYPE PSLO/SIM/MIX



Posizioni

1. Serbatoio con liquido schiumogeno interno membrana
2. Miscelatore
3. Valvola intercettazione acqua
4. Valvola di sicurezza
5. Valvola di sfiato acqua
6. Valvola sfiato schiumogeno
7. Manometro serbatoio
8. Valvola intercettazione schiumogeno
9. Valvola di non ritorno schiumogeno
10. Manometro miscelatore
11. Valvola drenaggio acqua
12. Valvola riempimento / drenaggio schiumogeno
13. Valvola dreno indicatore di livello
14. Indicatore di livello schiumogeno
15. Valvola dreno linea
16. Pompa manuale di caricamento

Nota:

Per il collegamento della pompa manuale vedere la scheda relativa a questo articolo

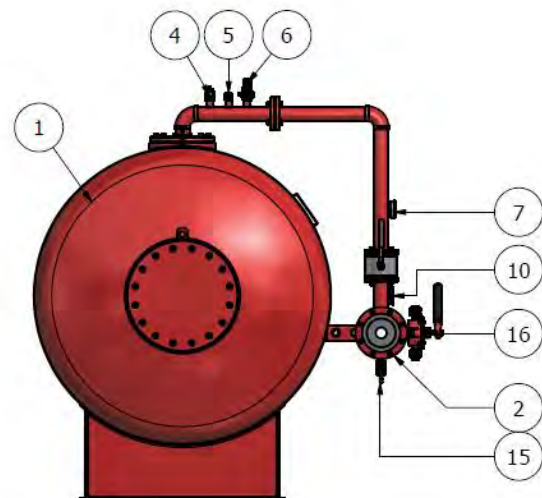
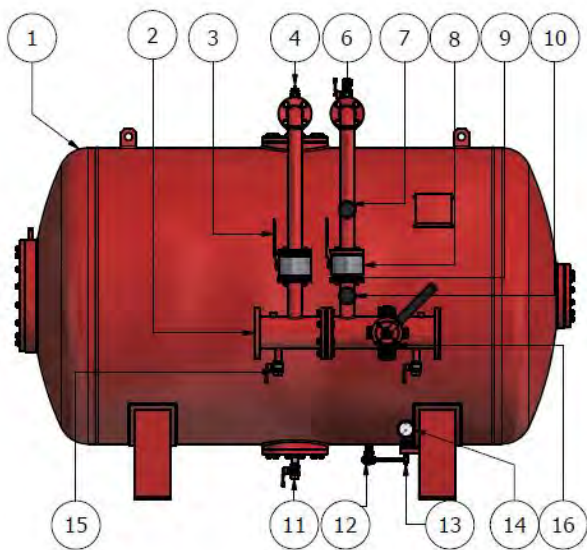
Items

1. Bladder tank with foam concentrate inside the membrane
2. Mixer
3. Water check valve
4. Safety valve
5. Water vent valve
6. Foam vent valve
7. Tank pressure gauge
8. Foam check valve
9. Foam non return valve
10. Mixer pressure gauge
11. Water drain valve
12. Foam filling/drain valve
13. Level indicator drain valve
14. Foam level indicator
15. Line drain valve
16. Manual filling pump

Note:

Manual filling pump connection: refer to data sheet of the manual filling pump

TIPO / TYPE PSLO/SEM/MIX



Posizioni

1. Serbatoio con liquido schiumogeno esterno membrana
2. Miscelatore
3. Valvola intercettazione acqua
4. Valvola di sicurezza
5. Valvola di sfiato acqua
6. Valvola sfiato schiumogeno
7. Manometro serbatoio
8. Valvola intercettazione schiumogeno
9. Valvola di non ritorno schiumogeno
10. Manometro miscelatore
11. Valvola drenaggio acqua
12. Valvola riempimento / drenaggio schiumogeno
13. Valvola dreno indicatore di livello
14. Indicatore di livello schiumogeno
15. Valvola dreno linea
16. Pompa manuale di caricamento

Nota:

Per il collegamento della pompa manuale vedere la scheda relativa a questo articolo

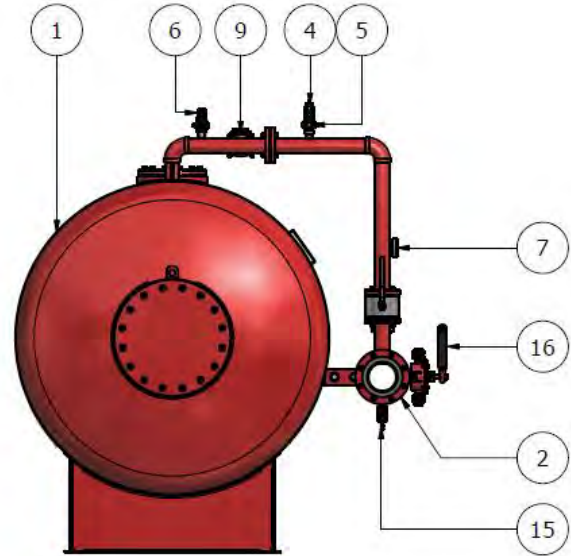
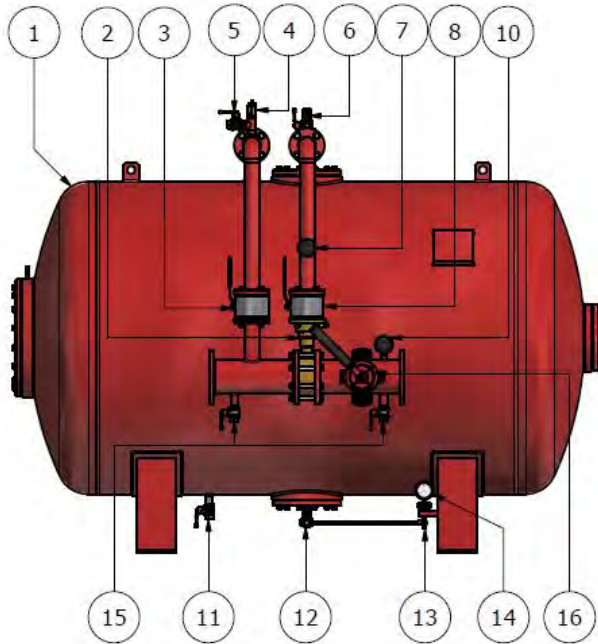
Items

1. Bladder tank with foam concentrate outside the membrane
2. Mixer
3. Water check valve
4. Safety valve
5. Water vent valve
6. Foam vent valve
7. Tank pressure gauge
8. Foam check valve
9. Foam non return valve
10. Mixer pressure gauge
11. Water drain valve
12. Foam filling/drain valve
13. Level indicator drain valve
14. Foam level indicator
15. Line drain valve
16. Manual filling pump

Note:

Manual filling pump connection: refer to data sheet of the manual filling pump

TIPO / TYPE PSLO/SIM/MAR



Posizioni

1. Serbatoio con liquido schiumogeno interno membrana
2. Miscelatore ad ampio raggio
3. Valvola intercettazione acqua
4. Valvola di sicurezza
5. Valvola di sfiato acqua
6. Valvola sfiato schiumogeno
7. Manometro serbatoio
8. Valvola intercettazione schiumogeno
9. Valvola di non ritorno schiumogeno
10. Manometro miscelatore
11. Valvola drenaggio acqua
12. Valvola riempimento / drenaggio schiumogeno
13. Valvola dreno indicatore di livello
14. Indicatore di livello schiumogeno
15. Valvola dreno linea
16. Pompa manuale di caricamento

Nota:

Per il collegamento della pompa manuale vedere la scheda relativa a questo articolo

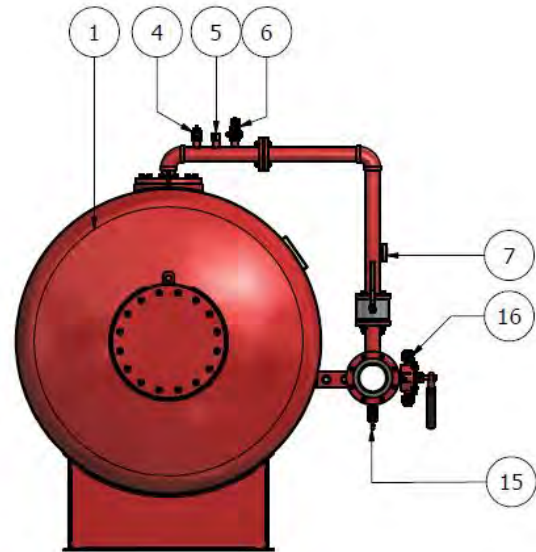
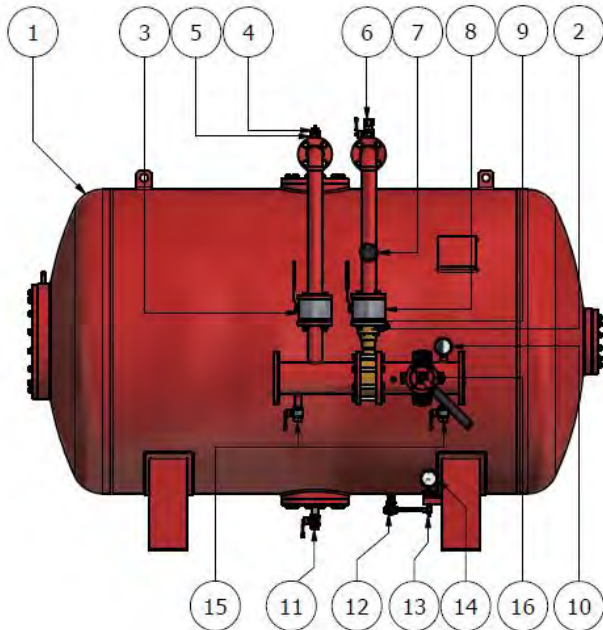
Items

1. Bladder tank with foam concentrate inside the membrane
2. Wide range mixer
3. Water check valve
4. Safety valve
5. Water vent valve
6. Foam vent valve
7. Tank pressure gauge
8. Foam check valve
9. Foam non return valve
10. Mixer pressure gauge
11. Water drain valve
12. Foam filling/drain valve
13. Level indicator drain valve
14. Foam level indicator
15. Line drain valve
16. Manual filling pump

Note:

Manual filling pump connection: refer to data sheet of the manual filling pump

TIPO / TYPE PSLO/SEM/MAR



Posizioni

1. Serbatoio con liquido schiumogeno esterno membrana
2. Miscelatore ad ampio raggio
3. Valvola intercettazione acqua
4. Valvola di sicurezza
5. Valvola di sfiato acqua
6. Valvola sfiato schiumogeno
7. Manometro serbatoio
8. Valvola intercettazione schiumogeno
9. Valvola di non ritorno schiumogeno
10. Manometro miscelatore
11. Valvola drenaggio acqua
12. Valvola riempimento / drenaggio schiumogeno
13. Valvola dreno indicatore di livello
14. Indicatore di livello schiumogeno
15. Valvola dreno linea
16. Pompa manuale di caricamento

Nota:

Per il collegamento della pompa manuale vedere la scheda relativa a questo articolo

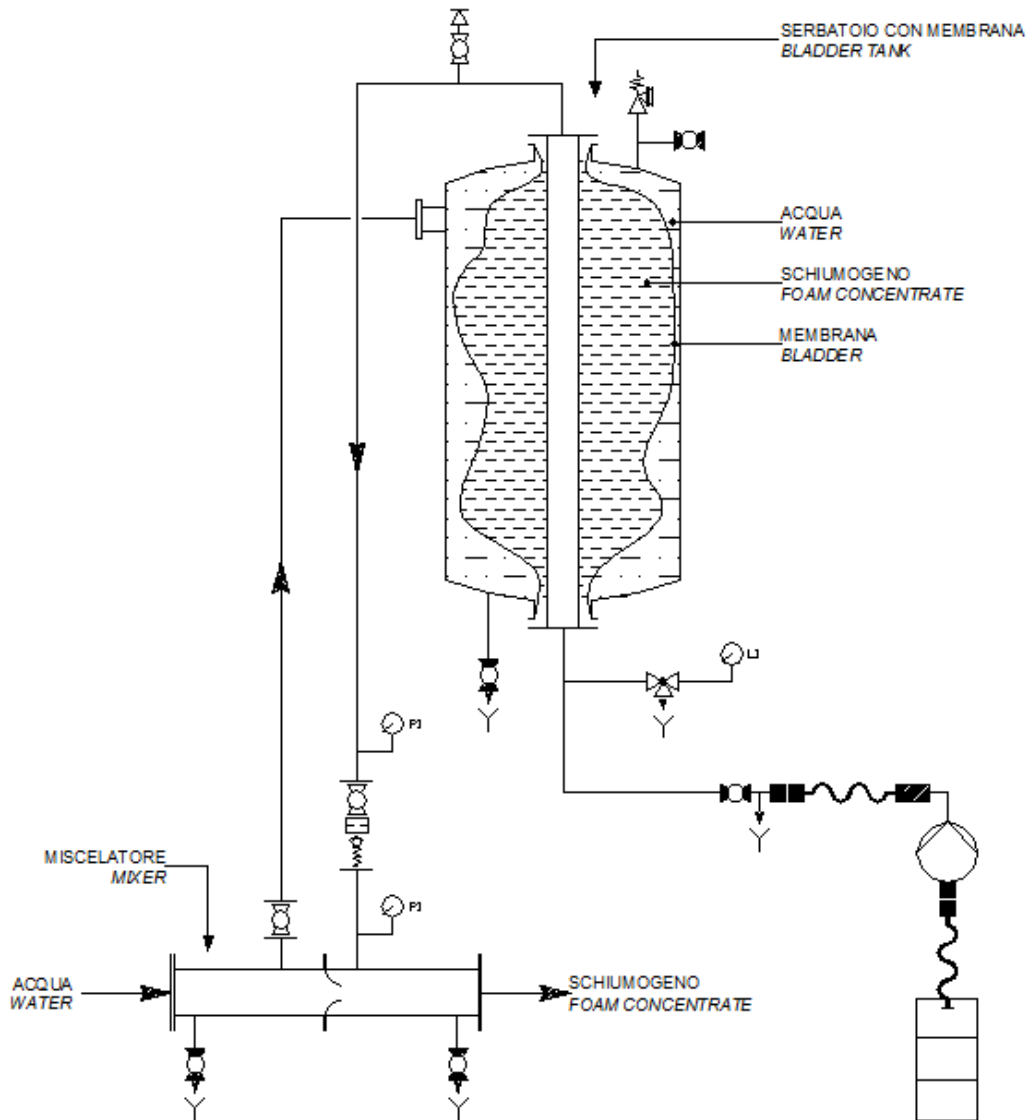
Items

1. Bladder tank with foam concentrate outside the membrane
2. Wide range mixer
3. Water check valve
4. Safety valve
5. Water vent valve
6. Foam vent valve
7. Tank pressure gauge
8. Foam check valve
9. Foam non return valve
10. Mixer pressure gauge
11. Water drain valve
12. Foam filling/drain valve
13. Level indicator drain valve
14. Foam level indicator
15. Line drain valve
16. Manual filling pump

Note:

Manual filling pump connection: refer to data sheet of the manual filling pump

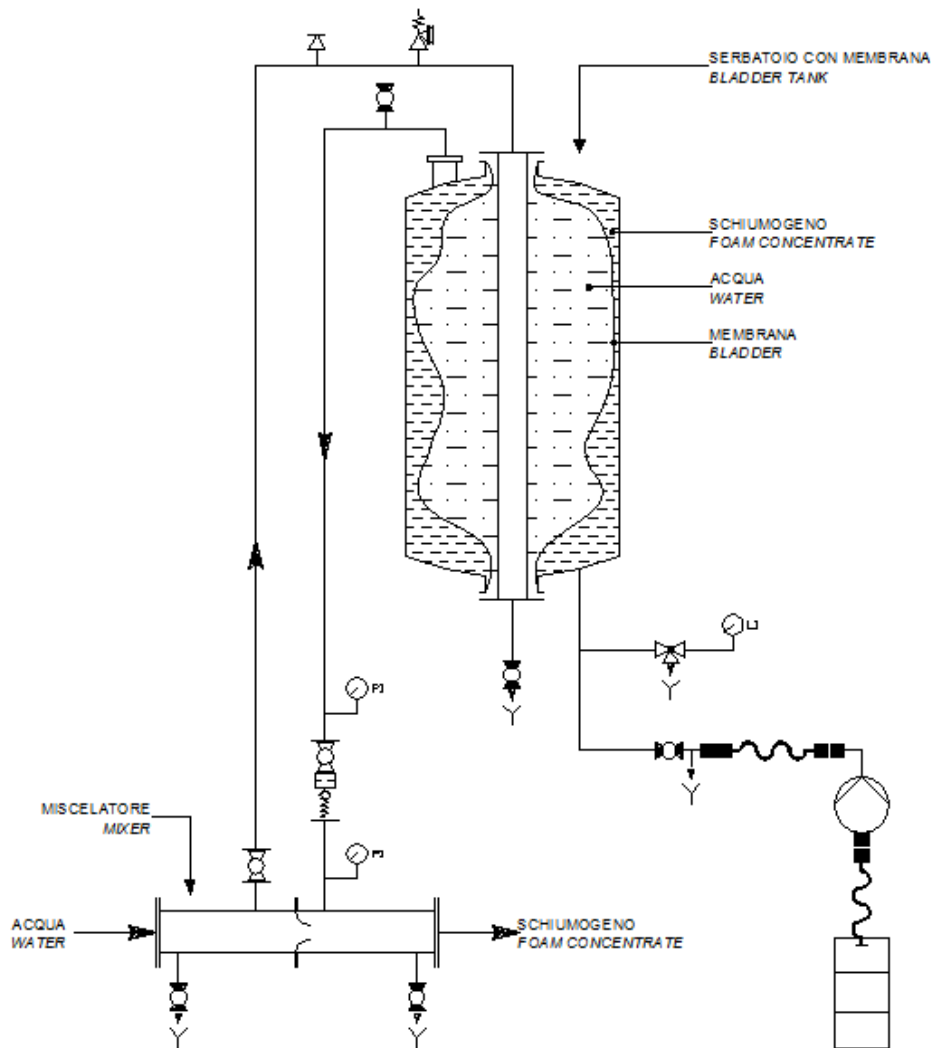
TIPO / TYPE PSLV/SIM/MIX



LEGENDA / LEGEND

	Valvola a sfera N.A. Ball valve N.O.		Indicatore di livello Level indicator
	Valvola a sfera N.C. Ball valve N.C.		Diaframma calibrato acqua Water orifice plate
	Valvola a tre vie Three way valve		Diaframma calibrato schiuma Foam orifice plate
	Valvola di sicurezza Safety valve		Attacco rapido Quick connection
	Valvola di sfiato Vent valve		Tubo flessibile Flexible pipe
	Valvola di non ritorno Check valve		Pompa manuale di caricamento Manual filling pump
	Drenaggio aperto Open drain		Fusto schiumogeno Foam concentrate drum
	Manometro Pressure gauge		

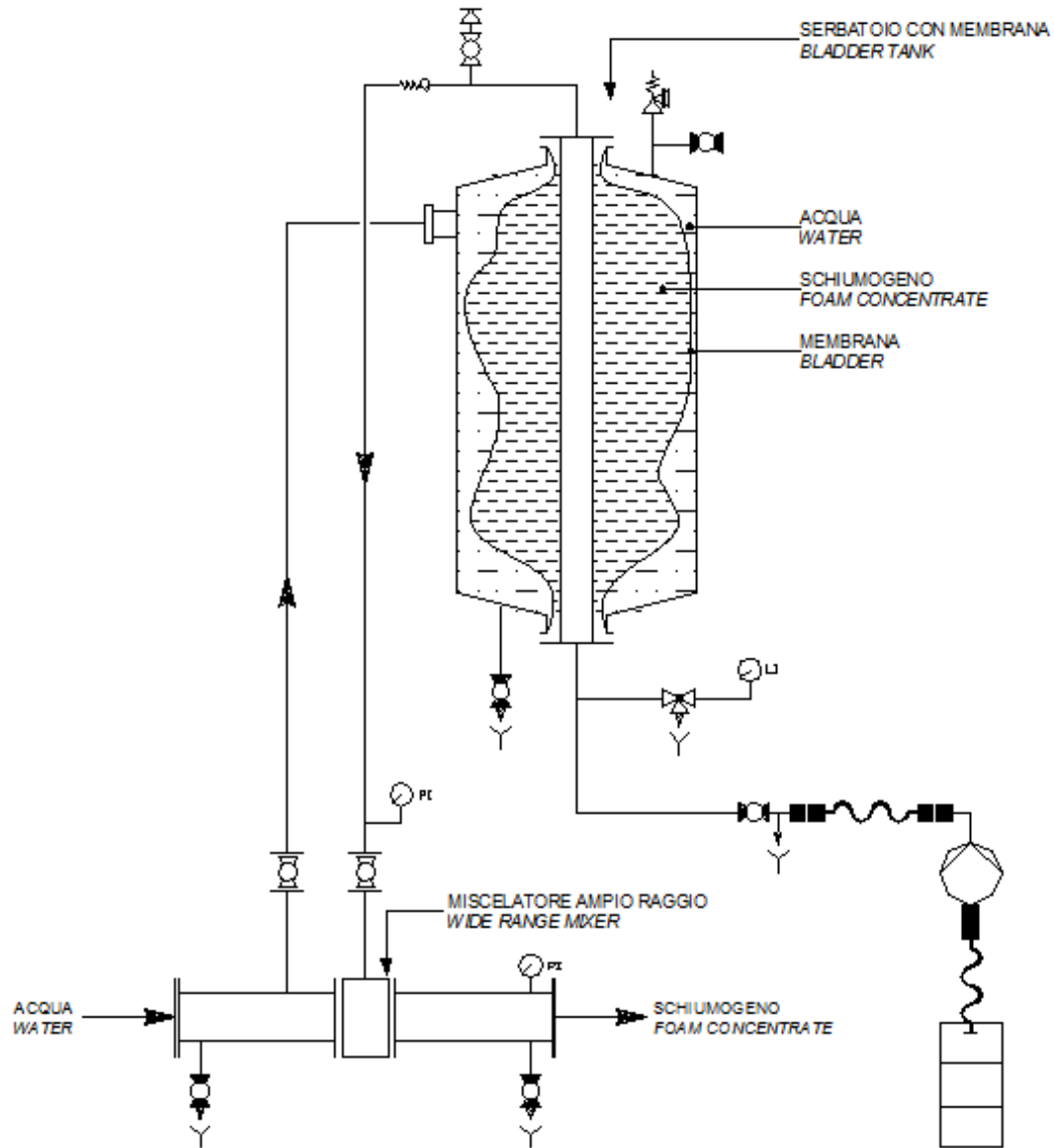
TIPO / TYPE PSLV/SEM/MIX



LEGENDA / LEGEND

	Valvola a sfera N.A. Ball valve N.O.		Indicatore di livello Level indicator
	Valvola a sfera N.C. Ball valve N.C.		Diaframma calibrato acqua Water orifice plate
	Valvola a tre vie Three way valve		Diaframma calibrato schiuma Foam orifice plate
	Valvola di sicurezza Safety valve		Attacco rapido Quick connection
	Valvola di sfiato Vent valve		Tubo flessibile Flexible pipe
	Valvola di non ritorno Check valve		Pompa manuale di caricamento Manual filling pump
	Drenaggio aperto Open drain		Fusto schiumogeno Foam concentrate drum
	Manometro Pressure gauge		

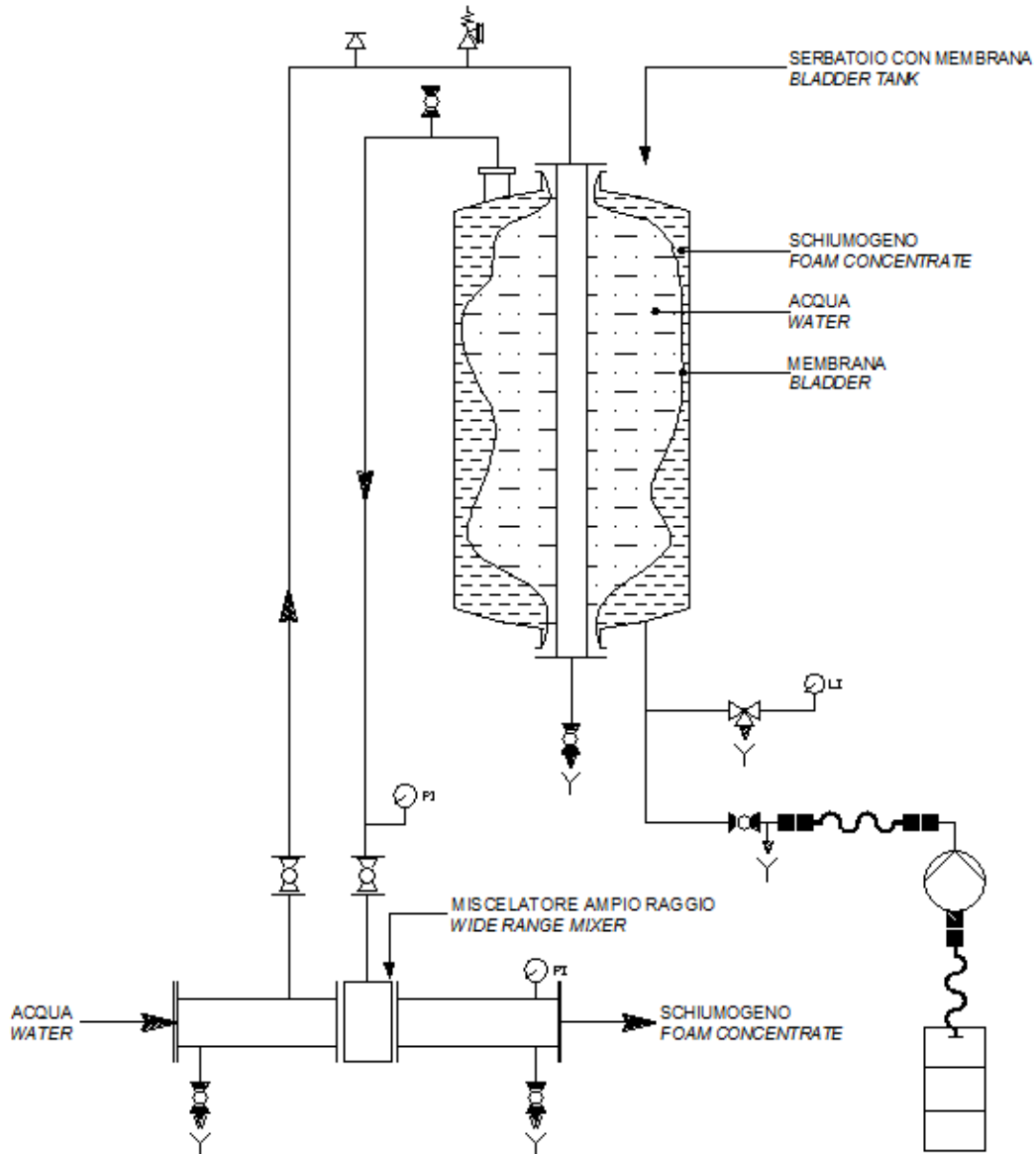
TIPO / TYPE PSLV/SIM/MAR



LEGENDA / LEGEND

	Valvola a sfera N.A. Ball valve N.O.		Indicatore di livello Level indicator
	Valvola a sfera N.C. Ball valve N.C.		Manometro Pressure gauge
	Valvola a tre vie Three way valve		Attacco rapido Quick connection
	Valvola di sicurezza Safety valve		Tubo flessibile Flexible pipe
	Valvola di sfiato Vent valve		Pompa manuale di caricamento Manual filling pump
	Valvola di non ritorno Check valve		Fusto schiumogeno Foam concentrate drum
	Drenaggio aperto Open drain		

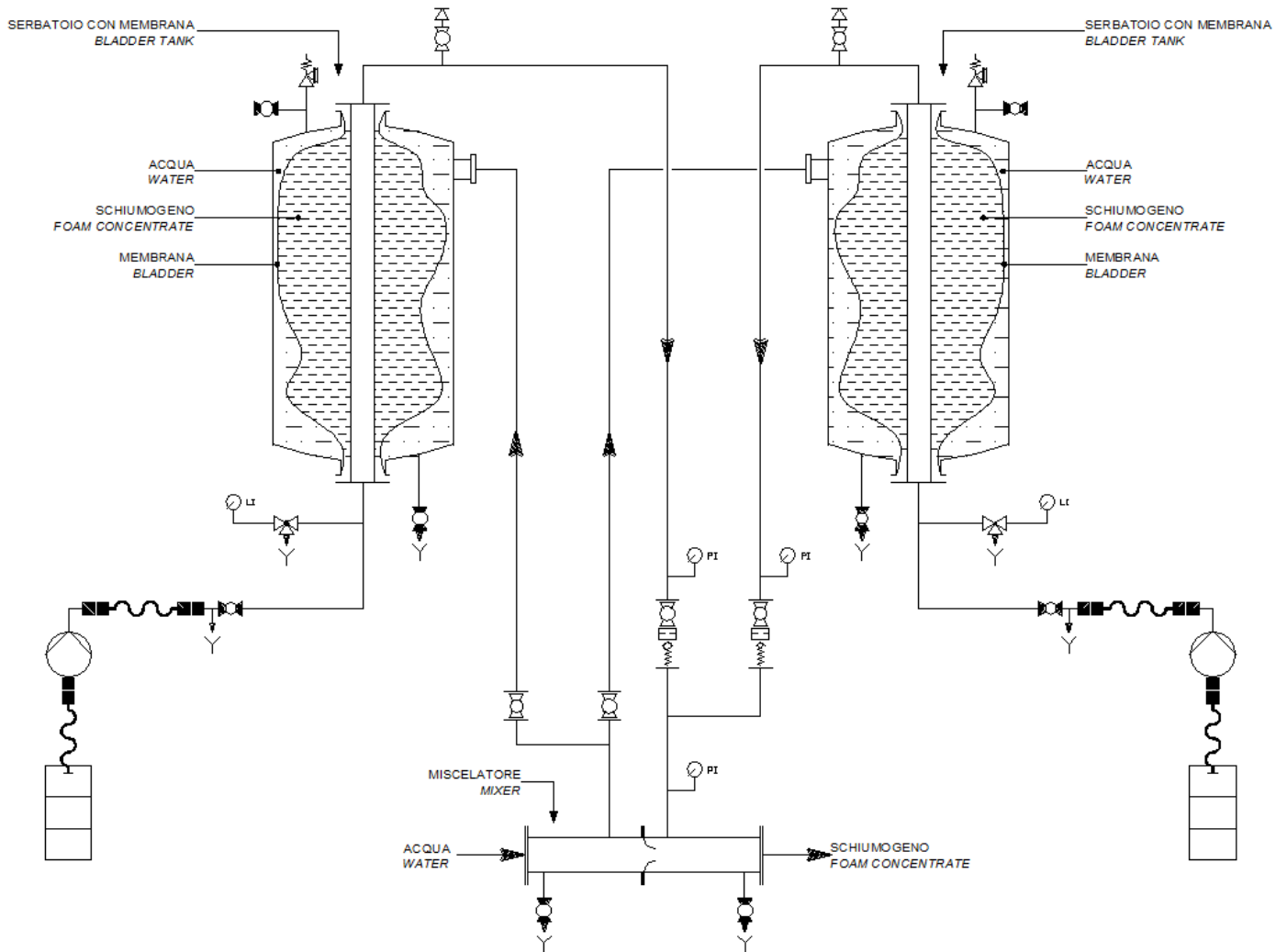
TIPO / TYPE PSLV/SEM/MAR



LEGENDA / LEGEND

	Valvola a sfera N.A. Ball valve N.O.		Indicatore di livello Level indicator
	Valvola a sfera N.C. Ball valve N.C.		Manometro Pressure gauge
	Valvola a tre vie Three way valve		Attacco rapido Quick connection
	Valvola di sicurezza Safety valve		Tubo flessibile Flexible pipe
	Valvola di sfiato Vent valve		Pompa manuale di caricamento Manual filling pump
	Valvola di non ritorno Check valve		Fusto schiumogeno Foam concentrate drum
	Drenaggio aperto Open drain		

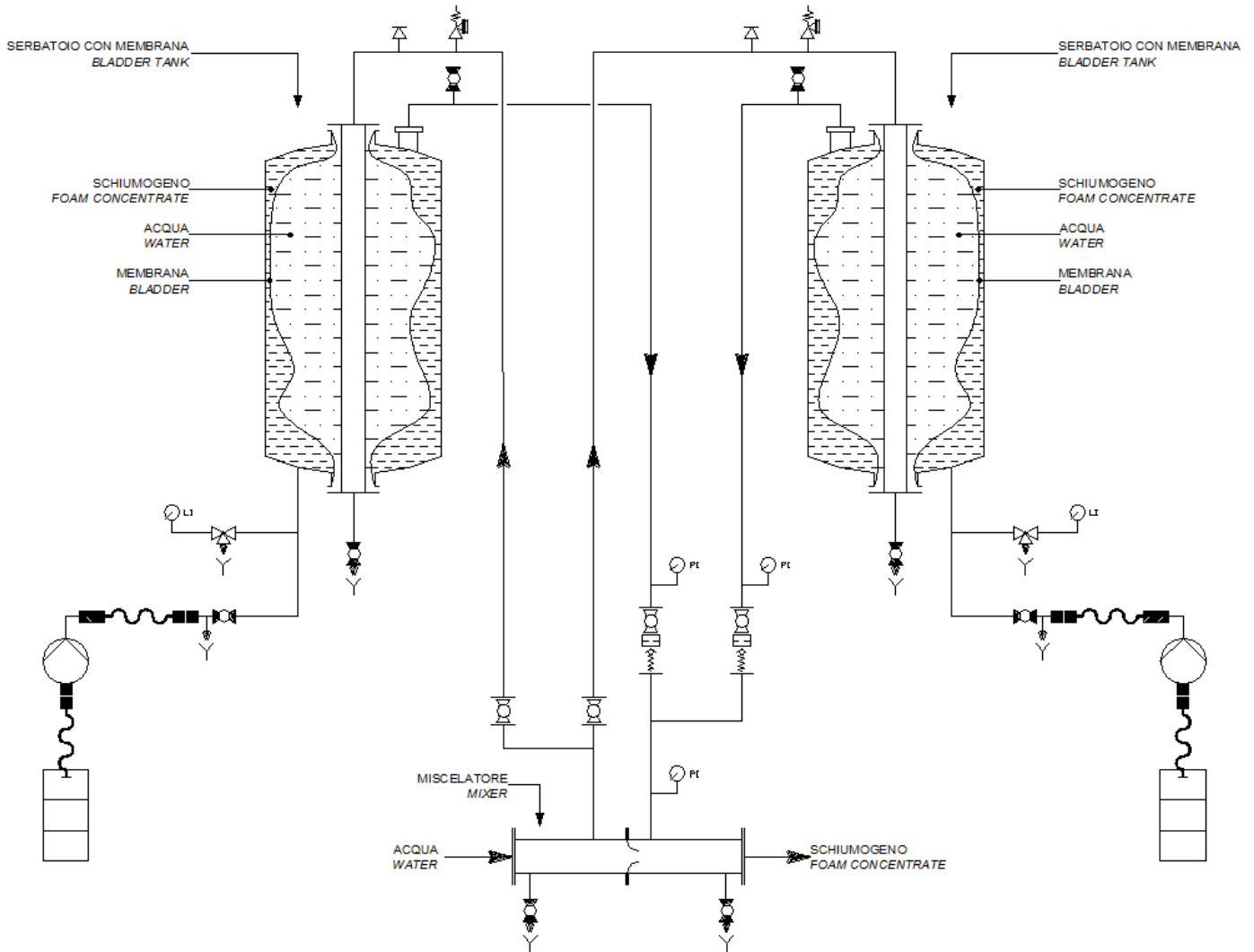
TIPO / TYPE 2XPSLV/SIM/MIX



LEGENDA / LEGEND

	Valvola a sfera N.A. Ball valve N.O.		Indicatore di livello Level indicator
	Valvola a sfera N.C. Ball valve N.C.		Diaframma calibrato acqua Water orifice plate
	Valvola a tre vie Three way valve		Diaframma calibrato schiuma Foam orifice plate
	Valvola di sicurezza Safety valve		Attacco rapido Quick connection
	Valvola di sfiato Vent valve		Tubo flessibile Flexible pipe
	Valvola di non ritorno Check valve		Pompa manuale di caricamento Manual filling pump
	Drenaggio aperto Open drain		Fusto schiumogeno Foam concentrate drum
	Manometro Pressure gauge		

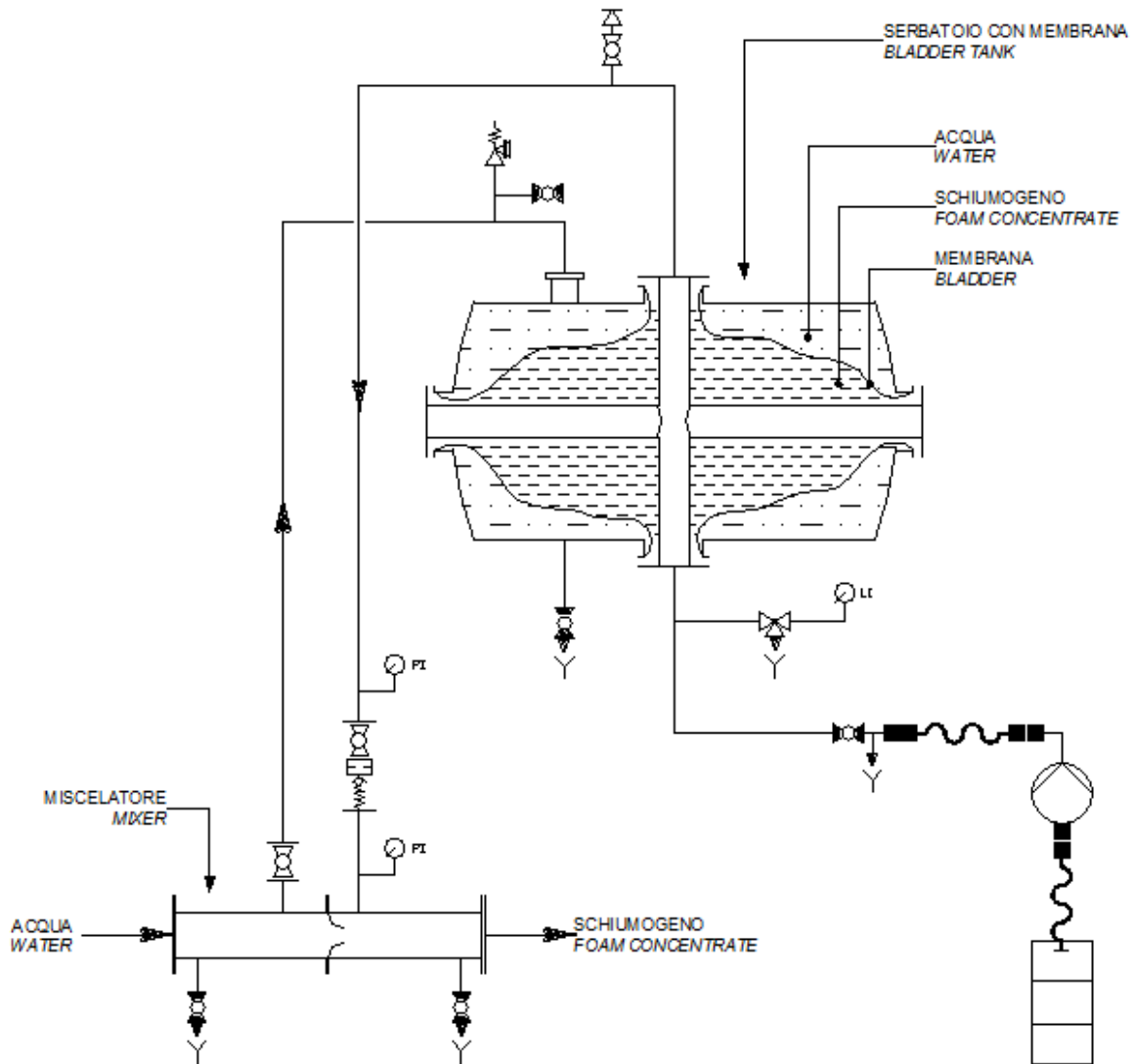
TIPO / TYPE 2XPSLV/SEM/MIX



LEGENDA / LEGEND

	Valvola a sfera N.A. Ball valve N.O.		Indicatore di livello Level indicator
	Valvola a sfera N.C. Ball valve N.C.		Diaframma calibrato acqua Water orifice plate
	Valvola a tre vie Three way valve		Diaframma calibrato schiuma Foam orifice plate
	Valvola di sicurezza Safety valve		Attacco rapido Quick connection
	Valvola di sfiato Vent valve		Tubo flessibile Flexible pipe
	Valvola di non ritorno Check valve		Pompa manuale di caricamento Manual filling pump
	Drenaggio aperto Open drain		Fusto schiumogeno Foam concentrate drum
	Manometro Pressure gauge		

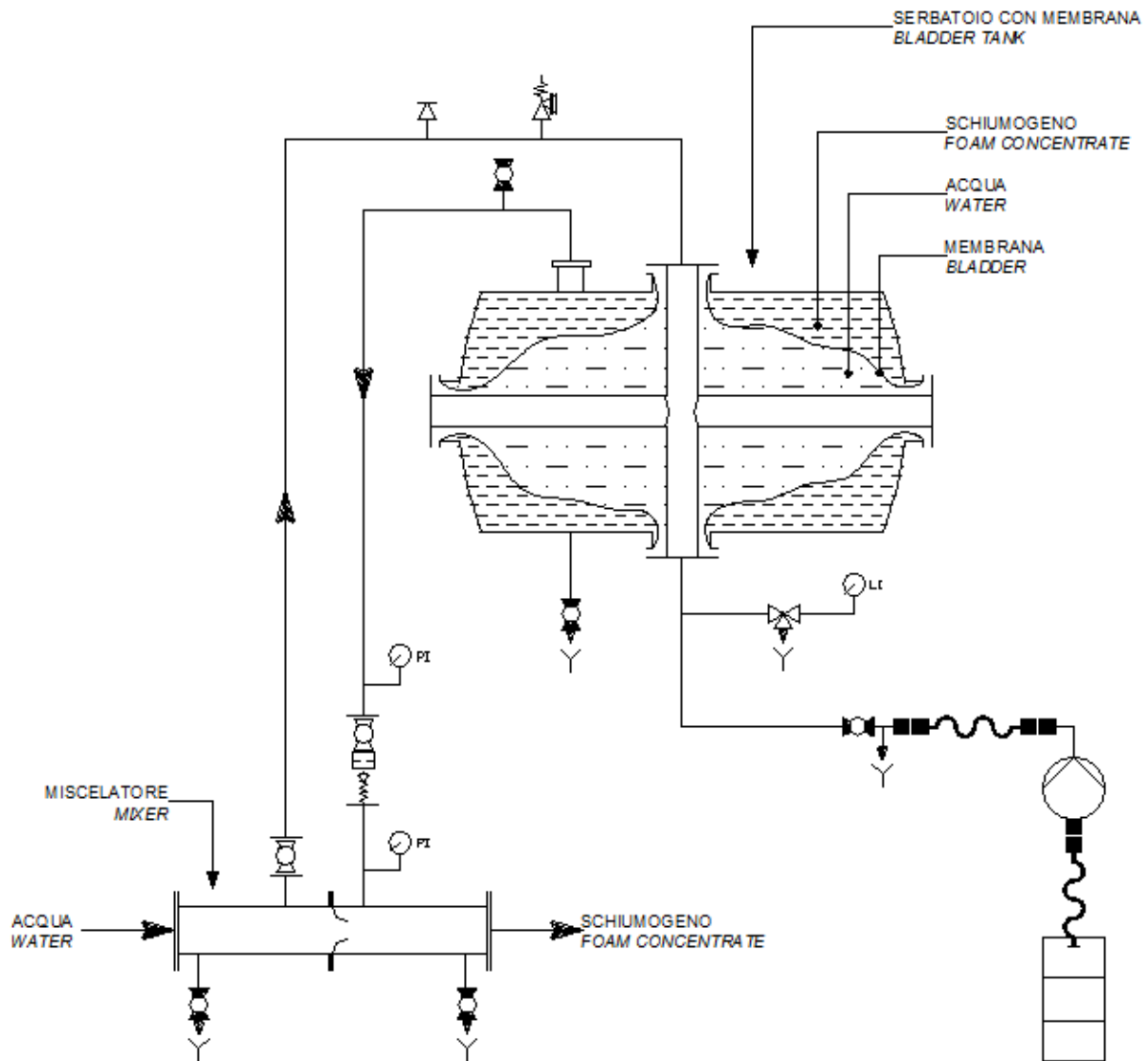
TIPO / TYPE PSLO/SIM/MIX



LEGENDA / LEGEND

	Valvola a sfera N.A. Ball valve N.O.		Indicatore di livello Level indicator
	Valvola a sfera N.C. Ball valve N.C.		Diaframma calibrato acqua Water orifice plate
	Valvola a tre vie Three way valve		Diaframma calibrato schiuma Foam orifice plate
	Valvola di sicurezza Safety valve		Attacco rapido Quick connection
	Valvola di sfiato Vent valve		Tubo flessibile Flexible pipe
	Valvola di non ritorno Check valve		Pompa manuale di caricamento Manual filling pump
	Drenaggio aperto Open drain		Fusto schiumogeno Foam concentrate drum
	Manometro Pressure gauge		

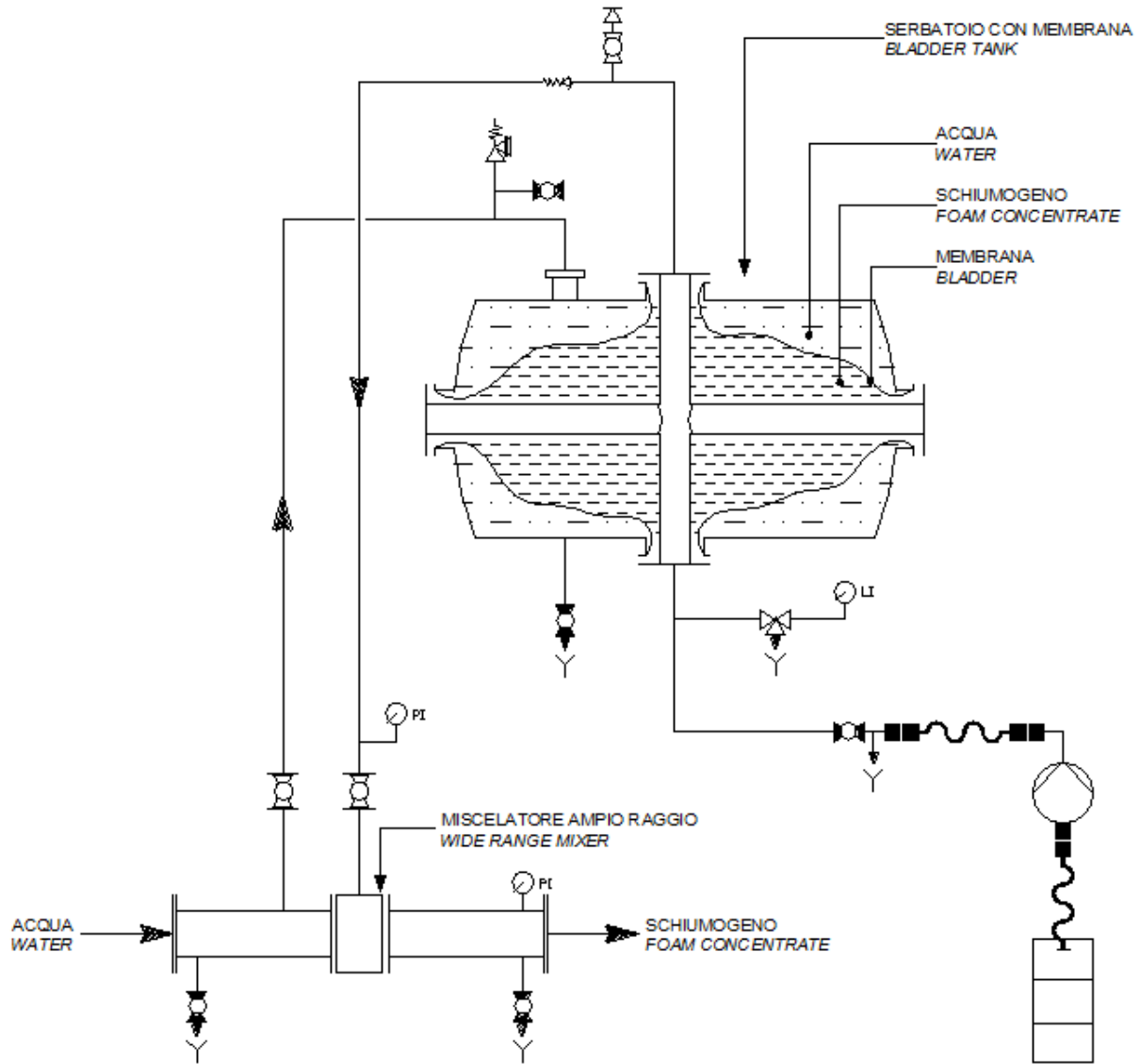
TIPO / TYPE PSLO/SEM/MIX



LEGENDA / LEGEND

	Valvola a sfera N.A. Ball valve N.O.		Indicatore di livello Level indicator
	Valvola a sfera N.C. Ball valve N.C.		Diaframma calibrato acqua Water orifice plate
	Valvola a tre vie Three way valve		Diaframma calibrato schiuma Foam orifice plate
	Valvola di sicurezza Safety valve		Attacco rapido Quick connection
	Valvola di sfiato Vent valve		Tubo flessibile Flexible pipe
	Valvola di non ritorno Check valve		Pompa manuale di caricamento Manual filling pump
	Drenaggio aperto Open drain		Fusto schiumogeno Foam concentrate drum
	Manometro Pressure gauge		

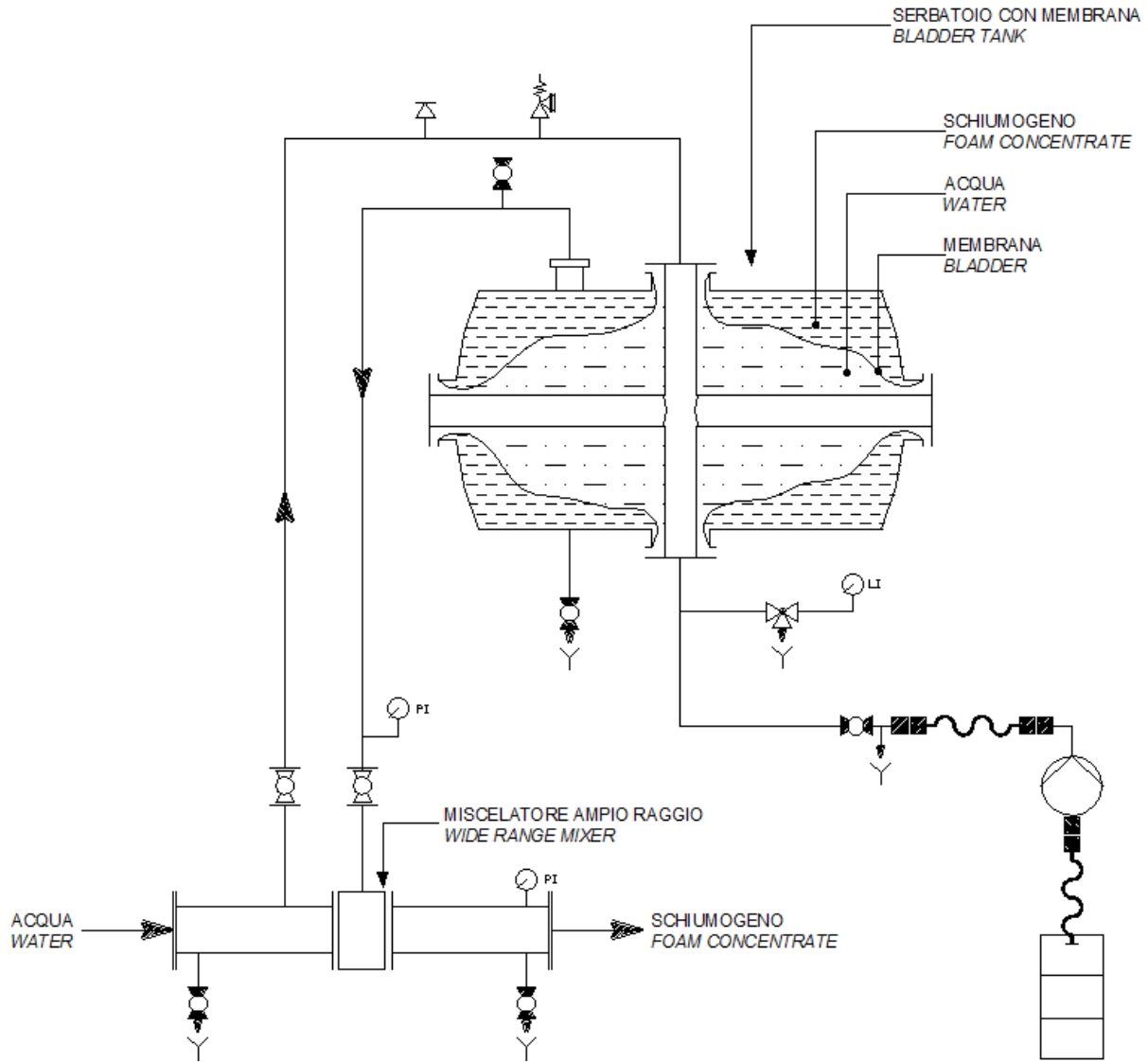
TIPO / TYPE PSLO/SIM/MAR



LEGENDA / LEGEND

	Valvola a sfera N.A. Ball valve N.O.		Indicatore di livello Level indicator
	Valvola a sfera N.C. Ball valve N.C.		Manometro Pressure gauge
	Valvola a tre vie Three way valve		Attacco rapido Quick connection
	Valvola di sicurezza Safety valve		Tubo flessibile Flexible pipe
	Valvola di sfiato Vent valve		Pompa manuale di caricamento Manual filling pump
	Valvola di non ritorno Check valve		Fusto schiumogeno Foam concentrate drum
	Drenaggio aperto Open drain		

TIPO / TYPE PSLO/SEM/MAR



LEGENDA / LEGEND

	Valvola a sfera N.A. Ball valve N.O.		Indicatore di livello Level indicator
	Valvola a sfera N.C. Ball valve N.C.		Manometro Pressure gauge
	Valvola a tre vie Three way valve		Attacco rapido Quick connection
	Valvola di sicurezza Safety valve		Tubo flessibile Flexible pipe
	Valvola di sfiato Vent valve		Pompa manuale di caricamento Manual filling pump
	Valvola di non ritorno Check valve		Fusto schiumogeno Foam concentrate drum
	Drenaggio aperto Open drain		

POMPA MANUALE DI CARICAMENTO – PM MANUAL FILLING PUMP – PM



Descrizione

Il Mod. PM è una pompa di caricamento manuale utilizzata per il riempimento del serbatoio del premescolatore di schiumogeno concentrato. La pompa è equipaggiata di tubo flessibile pescante per aspirazione dello schiumogeno dal proprio contenitore e di tubo flessibile di mandata al serbatoio del premescolatore.

Description

The Mod. PM is a manual filling pump used for refilling the tank of the bladder tank with foam concentrate. The pump is equipped with flexible dip tube for suction from the foam concentrate tank, and flexible delivery pipe to be connected to the bladder tank.



Caratteristiche tecniche

Pompa

- Corpo in ghisa
- Girante in bronzo
- Anello di tenuta (paraolio sull'albero)
- Impugnatura in legno

Tubi flessibili

- Tubo pescante di aspirazione in PVC con spirale interna d'acciaio, attacco F.G. UNI 25 - con terminale tubo in PVC
- Tubo di mandata in PVC con spirale interna d'acciaio con attacco F.G. UNI 25

Ciclo verniciatura standard SA:

- Pulizia manuale con solvente
- Primer epossidico 60 µm
- Intermedio epossidico 30 µm
- Finitura poliuretano 30 µm
- Spessore totale film secco 120 µm +/-10%
- Colore rosso RAL 3000

Technical characteristics

Pump

- Cast iron body
- Bronze impeller
- Sealing ring (oil guard on shaft)
- Wooden handle

Flexible pipes

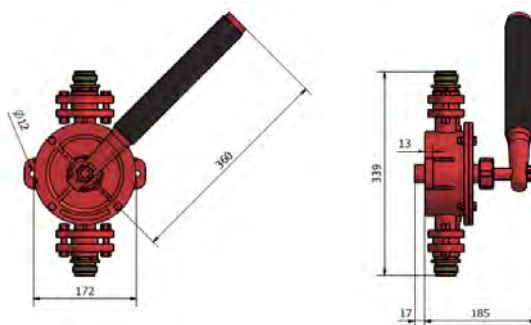
- Suction dip tube PVC with internal steel spiral S.F. UNI 25 connection - with PVC pipe terminal
- Delivery pipe in PVC with internal steel spiral with S.F. UNI 25

Painting system standard SA:

- Manual cleaning solvent
- Epoxy primer 60 µm
- Epoxy Intermediate 30 µm
- Polyurethane finish 30 µm
- Total thickness 120 µm dry film +/-10%
- Colour red RAL 3000

Dimensioni e Pesì:

Dimensions and Weights:



Attacco Tubo / Connection Pipe		Litri / Ciclo Litre /Cycle	Portata – l/min Flow rate – lpm	Peso Weight kg
Aspirazione / Suction	Mandata / Delivery			
UNI 25	UNI 25	0.6	50	7.2

Opzioni

Optional

- Ciclo di verniciatura diverso dallo Standard SA
- Per ulteriori opzioni o versioni speciali contattare SA Fire Protection
- Painting system different from Standard SA
- For additional options or special versions contact SA Fire Protection

REGOLATORE DI MISCELA – RM MIXING RATIO SELECTOR – RM



Descrizione

Il Mod. RM è un regolatore di miscela manuale installabile sui miscelatori standard Tipo A (Mod. MIX) per consentire la regolazione manuale della percentuale di miscelazione tra 1%, 3% o 6%. Il regolatore di miscela agisce sull'apertura dell'orifizio calibrato della linea schiuma, variando la percentuale di miscelazione.

Description

The Mod. RM is a manual mixing ratio selector that can be installed on standard mixer Type A (Mod. MIX) in order to regulate the mixing ration between 1%, 3% or 6%. The mixing ratio selector adjust the restriction orifice in the foam concentrate inlet line, regulating the mixing ratio.



Caratteristiche tecniche

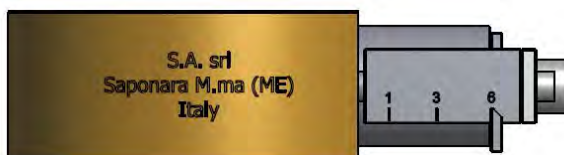
- Corpo a scelta tra:
 - Ottone
 - Bronzo EN 1982 - CC491K
- Sistema di regolazione in AISI 316
- Finitura al naturale

Technical characteristics

- Body to be selected among:
 - Brass
 - Bronze EN 1982 - CC491K
- Selector mechanism in AISI 316
- Natural finishing

Dimensioni e Pesì:

Dimensions and Weights:



Accoppiabile con flange Coupled with flanges	Portata miscelatore / Mixer Flow rate (min – max) - l/min
1 1/4"	100 ÷ 600
1 1/2"	150 ÷ 900
	200 ÷ 1200
	250 ÷ 1500
	350 ÷ 2100
	450 ÷ 2700
2"	500 ÷ 3000
	650 ÷ 3900
	900 ÷ 5400
2 1/2"	1100 ÷ 6600
3"	1680 ÷ 10080
4"	1800 ÷ 10800
	3500 ÷ 21000
	4000 ÷ 24000
6"	5000 ÷ 30000
	6000 ÷ 36000

Opzioni

- Ciclo di verniciatura diverso dallo Standard SA
- Per ulteriori opzioni o versioni speciali contattare SA Fire Protection

Optional

- Painting system different from Standard SA
- For additional options or special versions contact SA Fire Protection

Codice Identificativo
Identification Form

OPZIONI / OPTIONS

Mod. /

1
 2
 3

Quantità / Quantity

REGOLATORE DI MISCELA RM / MIXING RATIO SELECTOR RM

CORPO BODY	1	Materiale material	Regolatore di miscela in ottone Mixing ratio selector in brass	RMO <input type="checkbox"/>	
			Regolatore di miscela in bronzo EN 1982 – CC491K Mixing ratio selector in bronze EN 1982 – CC491K	RMB <input type="checkbox"/>	
	2	Dimensione Size	1 1/4"	1Q <input type="checkbox"/>	
			1 1/2"	1M <input type="checkbox"/>	
			2"	2 <input type="checkbox"/>	
			2 1/2"	2M <input type="checkbox"/>	
			3"	3 <input type="checkbox"/>	
			4"	4 <input type="checkbox"/>	
3	Verniciatura Painting	Verniciatura diversa da ciclo SA standard Painting system different for SA standard	C <input type="checkbox"/>	Specificare in Note il ciclo di verniciatura richiesto. Specify in Notes the painting procedure required.	

NOTE NOTES	

CLIENTE / CLIENT:	PROGETTO / PROJECT:	DOC. No.:	REV.:
EMESSO / ISSUED:	CONTROLLATO / CHECKED:	APPROVATO / APPROVED:	
DATA / DATE:	DATA / DATE:	DATA / DATE:	

I particolari di questo foglio tecnico, sebbene esatti al tempo della pubblicazione, potrebbero essere soggetti a modifiche senza preavviso. - The data shown on this data sheet, although correct at the time of publication, may be varied without notice.

PREMESCOLATORE AD INIEZIONE – PR
INJECTION PROPORTIONER – PR



Descrizione

Il Mod. PR è un premescolatore ad iniezione utilizzato per iniettare il liquido schiumogeno direttamente nelle tubazioni antincendio, idranti o monitori. Il premescolatore ad iniezione viene installato nelle reti schiuma alimentate da una stazione di pompaggio e deve ricevere il concentrato ad una pressione di circa 2 bar superiore alla pressione dell'acqua. L'iniezione di schiuma passa attraverso una valvola regolatrice in bronzo che la inietta direttamente nel flusso di acqua. Il rapporto di miscelazione è fisso e può essere impostato in fabbrica al 3% o 6%.

Description



The Mod. PR is an injection proportioner used to inject foam concentrate into the fire water pipelines, hydrants or monitors. The proportioner shall be installed in systems provided with a distributed foam line and shall receive the foam concentrate at a pressure of about 2 bar above the fire water pressure. The foam concentrate passes through a regulating valve in bronze that injects the concentrate directly into the water stream. The mixing ratio is fixed and can be factory set at 3 or 6%.

Caratteristiche tecniche

- Corpo in bronzo
- Asta in ottone
- Molla in acciaio inox AISI 304
- Filtro corpo in bronzo con retina in AISI 304
- Tubo in acciaio al carbonio ASTM A 106
- Pressione di esercizio massima 16 bar
- Pressione di progetto 16 bar
- Pressione di collaudo 24 bar

Ciclo verniciatura standard SA:

- Pulizia manuale con solvente
- Primer epossidico 60 µm
- Intermedio epossidico 30 µm
- Finitura poliuretano 30 µm
- Spessore totale film secco 120 µm +/-10%
- Colore rosso RAL 3000

Technical characteristics

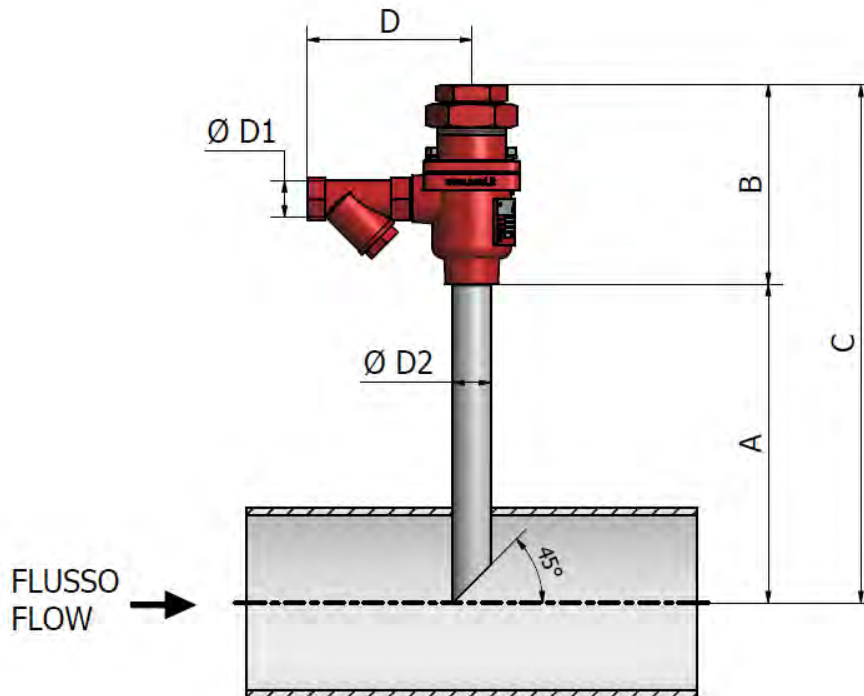
- Body in bronze
- Brass rod
- Stainless steel spring in AISI 304
- Filter in bronze body with net in stainless steel AISI 304
- Pipe in carbon steel ASTM A106
- Max. working pressure 16 bar
- Design pressure 16 bar
- Test pressure 24 bar

Painting system standard SA:

- Manual cleaning solvent
- Epoxy primer 60 µm
- Epoxy Intermediate 30 µm
- Polyurethane finish 30 µm
- Total thickness 120 µm dry film +/-10%
- Colour red RAL 3000

Dimensioni e Pesì:

Dimensions and Weights:



Ø D1	Ø D2	A mm	B mm	C mm	D mm	Miscelazione Mixing ratio %	Portata Flow rate l/min	Peso Weight kg
1"	1"	282	175	457	146	3 ÷ 6	200 ÷ 4800	8

Opzioni

- Ciclo di verniciatura diverso dallo Standard SA
- Per ulteriori opzioni o versioni speciali contattare SA Fire Protection

Optional

- Painting system different from Standard SA
- For additional options or special versions contact SA Fire Protection

Codice Identificativo
Identification Form

OPZIONI / OPTIONS

Mod. PR / /

1

2

3

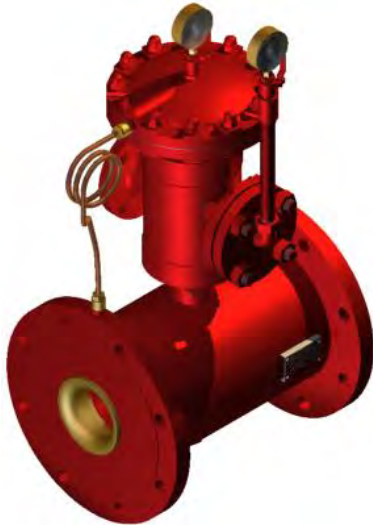
4

Quantità / Quantity

PREMESCOLATORE AD INIEZIONE PR / INJECTION PROPORTIONER PR

	1	Tipologia Type	Premescolatore ad iniezione Injection proportioner	PR ■		
TIPOLOGIA TYPE	2	Portate Flow rate	200	400	600	2 <input type="checkbox"/> 4 <input type="checkbox"/> 6 <input type="checkbox"/>
			800	1000	1200	8 <input type="checkbox"/> 10 <input type="checkbox"/> 12 <input type="checkbox"/>
			1400	1600	1800	14 <input type="checkbox"/> 16 <input type="checkbox"/> 18 <input type="checkbox"/>
			2000	2200	2400	20 <input type="checkbox"/> 22 <input type="checkbox"/> 24 <input type="checkbox"/>
			2600	2800	3000	26 <input type="checkbox"/> 28 <input type="checkbox"/> 30 <input type="checkbox"/>
			3200	3400	3600	32 <input type="checkbox"/> 34 <input type="checkbox"/> 36 <input type="checkbox"/>
			3800	4000	4200	38 <input type="checkbox"/> 40 <input type="checkbox"/> 42 <input type="checkbox"/>
			4400	4600	4800	44 <input type="checkbox"/> 46 <input type="checkbox"/> 48 <input type="checkbox"/>
			Altro Other			
% MISCELAZIONE MIXING RATIO	3	Percentuale di miscelazione Mixing ratio	3%		3P <input type="checkbox"/>	
			6%		6P <input type="checkbox"/>	
			Altro Other		P <input type="checkbox"/>	Specificare in Note la % Specify in Notes the mixing ratio
OPZIONI OPTIONS	4	Verniciatura Painting	Verniciatura diversa da ciclo SA standard Painting system different for SA standard		C <input type="checkbox"/>	Specificare in Note il ciclo di verniciatura richiesto. Specify in Notes the painting procedure required.
NOTE NOTES						
CLIENTE / CLIENT:			PROGETTO / PROJECT:		DOC. No.:	REV.:
EMESSO / ISSUED:			CONTROLLATO / CHECKED:		APPROVATO / APPROVED:	
DATA / DATE:			DATA / DATE:		DATA / DATE:	

MISCELATORE A PORTATA VARIABILE – MPV
AUTOMATIC ADJUSTABLE MIXER – MPV



Descrizione

Il Mod. MPV è un miscelatore a portata variabile costituito da un Venturi modificato a cui è accoppiata una valvola automatica regolatrice. Il risultato è un dispositivo capace di regolare l'apertura di un orificio calibrato in funzione sia della pressione che della portata dell'acqua antincendio. Questa autoregolazione garantisce una miscelazione accurata di concentrato in acqua su un'ampia scala di richiesta idraulica proveniente dai sistemi a schiuma. Il Mod. MPV viene normalmente impiegato in sistemi antincendio dove è presente una distribuzione del concentrato schiumogeno centralizzato e dunque asservito da stazioni di pompaggio dello schiumogeno. Il Mod. MPV può essere installato sia sulla stazione di pompaggio che in qualsiasi punto delle rete (acqua e schiuma) dove si richieda la formazione di soluzione schiumogena. Per operare correttamente il proporzionatore MPV necessita che la pressione di ingresso schiuma sia almeno 1,5 bar superiore rispetto alla pressione dell'acqua antincendio.

Description



The Mod. MPV is an automatic adjustable mixer which comprises a modified Venturi coupled to an automatic self-metering valve. When in operation the MPV regulates the opening of a metering orifice according to the water flow and pressure that is sensed in the main fire water line. This principle of self-regulation allows the foam concentrate injection to follow the water flow and pressure variations, granting a very accurate mixing ratio over different flow demands. The Mod. MPV is normally used as a proportioner in fire protection systems where the foam concentrate is distributed by foam pumping stations. The proportioner can be installed with the foam pumps or at any point of the water and foam ring where the foam solution is required. For the correct operation the Mod. MPV requires the inlet foam pressure to be at least 1.5 bar higher than the water pressure of the fire-fighting system.

Caratteristiche tecniche

- Corpo superiore di bilanciamento in bronzo
- Flange ANSI o UNI in acciaio al carbonio
- Pistone a doppio effetto ed organi interni AISI 316
- Corpo inferiore in acciaio al carbonio
- Bocchello di venturi in bronzo
- Corpo centrale di dosaggio in acciaio al carbonio
- Stelo in acciaio inox AISI 316
- Manometri con cassa in acciaio inox AISI 304
- Pressione massima di esercizio 16 bar
- Pressione di progetto 16 bar
- Pressione di collaudo 24 bar

Ciclo verniciatura standard SA:

- Pulizia manuale con solvente
- Primer epossidico 60 µm
- Intermedio epossidico 30 µm
- Finitura poliuretano 30 µm
- Spessore totale film secco 120 µm +/-10%
- Colore rosso RAL 3000

Technical characteristics

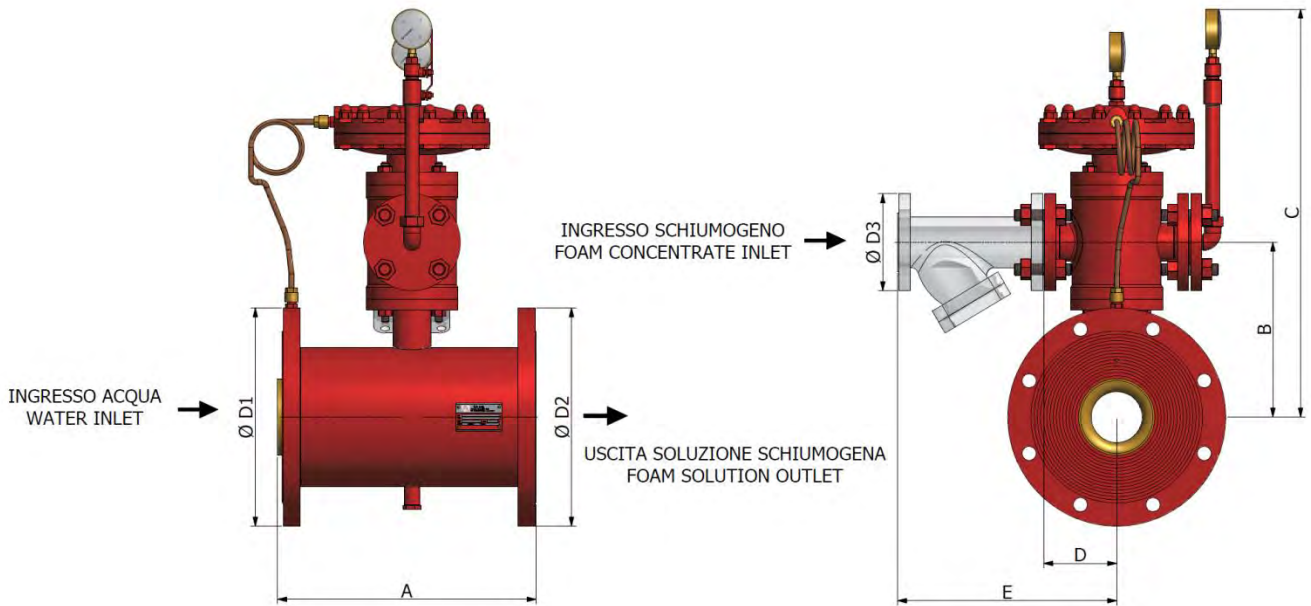
- Balancing device body material in bronze
- Flange ANSI or UNI in carbon steel
- Double effect piston and internal components in AISI316
- Lower body in carbon steel
- Venturi nozzle in bronze
- Main proportioner body in carbon steel
- Rod in stainless steel AISI 316
- Pressure gauge casing in stainless steel AISI 304
- Max working pressure 16 bar
- Design pressure 16 bar
- Test pressure 24 bar

Painting system standard SA:

- Manual cleaning solvent
- Epoxy primer 60 µm
- Epoxy Intermediate 30 µm
- Polyurethane finish 30 µm
- Total thickness 120 µm dry film +/-10%
- Colour red RAL 3000

Dimensioni e Pesì:

Dimensions and Weights:



Ø D1	Ø D2	Ø D3	A mm	B mm	C mm	D mm	E ⁽¹⁾ mm	Miscelazione Mixing ratio %	Portata Flow rate l/min	Peso Weight kg
4"	4"	1 1/2"	205	210	530	100	300	1 + 3 + 6	210 ÷ 2100	57
5"	5"	1 1/2"	250	220	540	100	300		325 ÷ 3250	60
6"	6"	2"	300	244	615	115	345		470 ÷ 4700	80
8"	8"	2"	400	274	640	115	345		850 ÷ 8500	92
10"	10"	2 1/2"	500	300	670	145	431		1350 ÷ 13500	150
12"	12"	2 1/2"	600	330	700	145	431		1915 ÷ 19150	190
14"	14"	2 1/2"	692	358	710	145	431		2530 ÷ 25320	210

Opzioni

- Valvola d'isolamento in ottone per manometro
- Filtro a "Y" in acciaio al carbonio
- Selettore della percentuale miscelazione
- Ciclo di verniciatura diverso dallo Standard SA
- Per ulteriori opzioni o versioni speciali contattare SA Fire Protection

Optional

- Brass isolation valve for pressure gauge
- Carbon steel filter "Y"
- Mixing ratio selector
- Painting system different from Standard SA
- For additional options or special versions contact SA Fire Protection

Nota:

- Ingombro con il filtro a "Y" opzionale

Note:

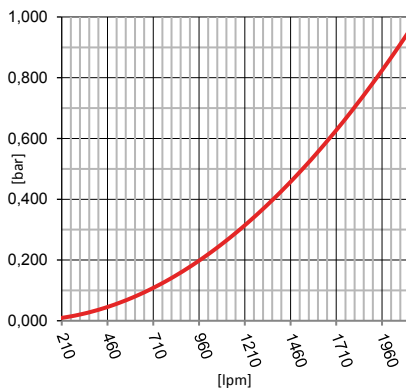
- Dimension with optional Y Strainer

Prestazioni Idrauliche

Hydraulic Performance

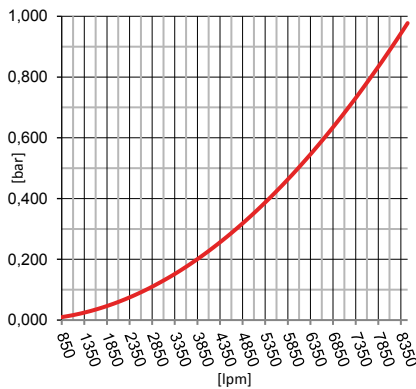
MPV 4"

Portata (L/min) / Perdite di carico (bar)
Flow rate (lpm) / Friction loss (bar)



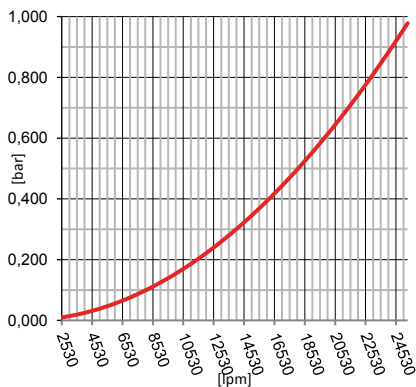
MPV 8"

Portata (L/min) / Perdite di carico (bar)
Flow rate (lpm) / Friction loss (bar)



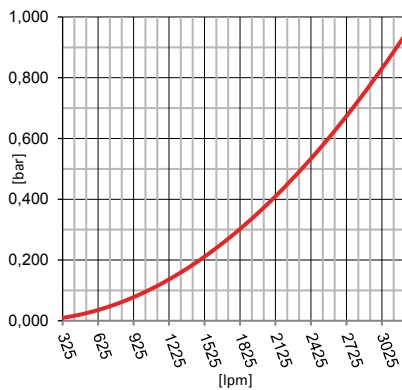
MPV 14"

Portata (L/min) / Perdite di carico (bar)
Flow rate (lpm) / Friction loss (bar)



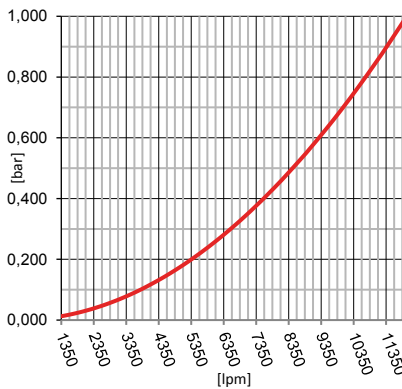
MPV 5"

Portata (L/min) / Perdite di carico (bar)
Flow rate (lpm) / Friction loss (bar)



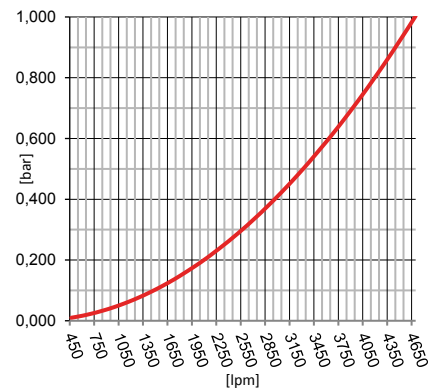
MPV 10"

Portata (L/min) / Perdite di carico (bar)
Flow rate (lpm) / Friction loss (bar)



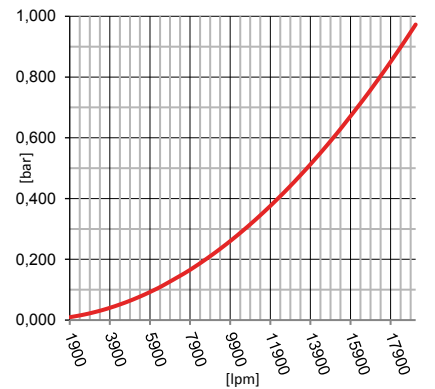
MPV 6"

Portata (L/min) / Perdite di carico (bar)
Flow rate (lpm) / Friction loss (bar)



MPV 12"

Portata (L/min) / Perdite di carico (bar)
Flow rate (lpm) / Friction loss (bar)



Codice Identificativo
Identification Form

Mod. MPV / / / /

OPZIONI / OPTIONS

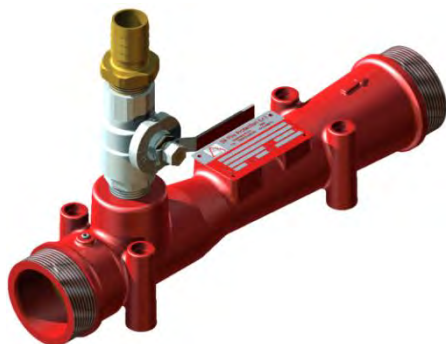
Quantità / Quantity

MISCELATORE A PORTATA VARIABILE MPV / AUTOMATIC ADJUSTABLE MIXER MPV					
TIPOLOGIA TYPE	1	Tipologia Type	Miscelatore di portata variabile Automatic adjustable mixer	MPV <input checked="" type="checkbox"/>	
	2	Portate Flow rate	210 ÷ 2100	21 <input type="checkbox"/>	
			325 ÷ 3250	32M <input type="checkbox"/>	
			470 ÷ 4700	47 <input type="checkbox"/>	
			850 ÷ 8500	85 <input type="checkbox"/>	
			1350 ÷ 13500	135 <input type="checkbox"/>	
			1915 ÷ 19150	191M <input type="checkbox"/>	
			2530 ÷ 25320	253 <input type="checkbox"/>	
	Altro Other		F <input type="checkbox"/>	Specificare in Note la portata Specify in Notes the flow rate	
FLANGIA FLANGE	3	Tipologia Type	ANSI 150lb RF	150RF <input type="checkbox"/>	Tipologia standard Standard type
			ANSI 150lb FF	150FF <input type="checkbox"/>	
			UNI PN16	UNI <input type="checkbox"/>	
			Altro Other	F <input type="checkbox"/>	Specificare in Note la tipologia di flangia richiesta. Specify in Notes the type of flange requested.
% MISCELAZIONE MIXING RATIO	4	Percentuale di miscelazione Mixing ratio	1%	1P <input type="checkbox"/>	
			3%	3P <input type="checkbox"/>	
			6%	6P <input type="checkbox"/>	
			Altro other	P <input type="checkbox"/>	Specificare in Note la % Specify in Notes the mixing ratio
OPZIONI OPTIONS	5	Valvola Valve	Valvola d'isolamento manometro Isolation valve for pressure gauge	BV <input type="checkbox"/>	Compilare solo se richiesto. To be filled only if required.
	6	Filtro Filter	Filtro a "Y" Filter at "Y"	FY <input type="checkbox"/>	Se richiesto specificare il materiale in note. If required. specify in note the material
	7	Regolatore miscelazione Mixing ratio selector	Selettore percentuale miscelazione Mixing ratio selector	RM <input type="checkbox"/>	Compilare solo se richiesto. To be filled only if required.
	8	Verniciatura Painting	Verniciatura diversa da ciclo SA standard Painting system different for SA standard	C <input type="checkbox"/>	Specificare in Note il ciclo di verniciatura richiesto. Specify in Notes the painting procedure required.

MISCELATORE DI LINEA – MLP

LINE MIXER – MLP

200 – 800 lpm



Descrizione

Il Mod. MLP è un miscelatore di linea di tipo Venturi che sfrutta la depressione che si crea quando l'acqua passa attraverso delle sezioni differenti in un tubo. In esercizio il miscelatore MLP aspira la schiuma concentrata da un fusto a pressione atmosferica e lo inietta nel flusso principale formando una soluzione schiumogena all'1%, 3% o 6%. Il Mod. MLP è costruito in bronzo con una valvola di regolazione e isolamento che consente la regolazione e la completa chiusura della linea di adduzione schiuma. Con un design leggero e flessibile i miscelatori possono essere impiegati per equipaggiare apparecchiature a schiuma portatili o come miscelatori per piccole installazioni fisse a portata costante.

Description

The Mod. MLP is a Venturi type line mixer that works on the basis of the negative pressure generated when water passes through different piping sections. When in operation the MLP proportioner inducts foam concentrate from an atmospheric storage tank and injects it into the water stream, providing a 1%, 3% or 6% foam solution. The Mod. MLP is manufactured in bronze with a metering and shut off valve that allows foam induction to be regulated and stopped. Lightweight and flexible, it can be installed on portable foam equipment or in small fixed applications with fixed flow rate.



Altre versioni disponibili

Miscelatore di linea portate 1000 – 3100 lpm (vedi DS A.20.10.20.20)

Other versions available

Line mixer flow rate 1000 – 3100 lpm (see DS A.20.10.20.20)

Caratteristiche tecniche

- Corpo in bronzo EN 1982 – CC491K
- Attacchi ingresso/uscita a scelta tra:
 - Attacco filettato: M. BSP
 - Attacco con raccordi istantanei:
 - UNI, BS 336, DSP, STORZ, GOST, NH, SMS, NOR
 - Attacco flangiato : ANSI o UNI
- Selettore di miscelazione 0 ÷ 1 ÷ 3 ÷ 6 %
- Valvola di non ritorno
- Tubo pescante in PVC con spirale interna d'acciaio con terminale tubo in PVC
- Pressione massima di esercizio 16 bar
- Pressione di progetto 16 bar
- Pressione di collaudo 24 bar

Finitura:

- Finitura al naturale

Technical characteristics

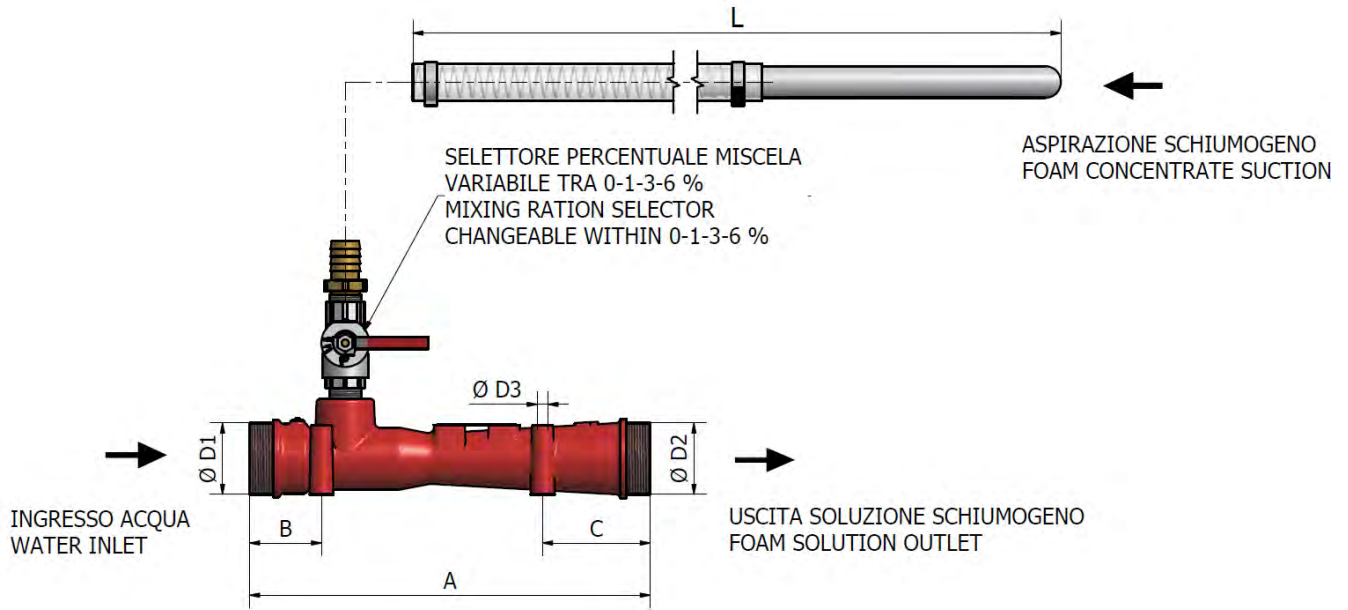
- Body material in bronze EN 1982 – CC491K
- Inlet/outlet connections to be selected among:
 - Threaded connection: M.BSP
 - Quick couplings connection
 - UNI, BS 336, DSP, STORZ, GOST, NH, SMS, NOR
 - Flanged connection: ANSI or UNI
- Mixing ratio selector 0 ÷ 1 ÷ 3 ÷ 6 %
- Check valve
- Dip tube in PVC with internal steel spiral and PVC pipe terminal
- Max working pressure 16 bar
- Design pressure 16 bar
- Test pressure 24 bar

Finish:

- Natural finishing

Dimensioni e Pesì:

Dimensions and Weights:



Ø D1	Ø D2	Ø D3 mm	A mm	B mm	C mm	L mm	Miscelazione Mixing ratio %	Portata Flow rate l/min – 8 bar	Perdita di carico a 8 bar Pressure loss at 8 bar	Pressione d'esercizio Working pressure bar	Peso Weight kg
2"	2"	9	335	60	90	2250	0 ÷ 1 ÷ 3 ÷ 6	200	29 %	4 ÷ 12	4
								225			
								250			
								400			
								450			
								500			
								600			
2"	2"	9	335	60	90	2250	0 ÷ 1 ÷ 3 ÷ 6	800	29 %	4 ÷ 12	4

Opzioni

- Ciclo di verniciatura diverso dallo Standard SA
- Per ulteriori opzioni o versioni speciali contattare SA Fire Protection

Optional

- Painting system different from Standard SA
- For additional options or special versions contact SA Fire Protection

Codice Identificativo
Identification Form

OPZIONI / OPTIONS

Mod. **MLP** / / / / /

1
2
3
4
5
6

Quantità / Quantity

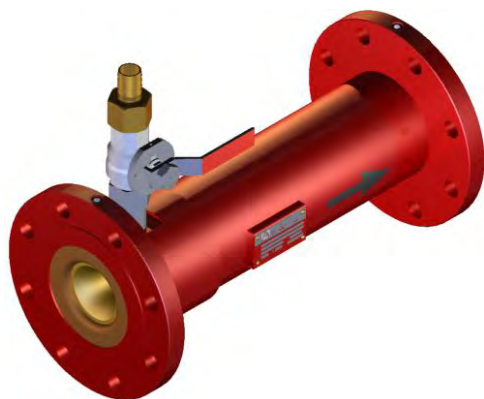
MISCELATORE DI LINEA MLP / LINE MIXER MLP



		1				
TIPOLOGIA TYPE	1	Tipologia Type	Miscelatore di linea Line mixer	MLP <input checked="" type="checkbox"/>		
	2	Portata a 8 bar Flow rate at 8 bar	200 l/min	20 <input type="checkbox"/>		
			225 l/min	22M <input type="checkbox"/>		
			250 l/min	25 <input type="checkbox"/>		
			400 l/min	40 <input type="checkbox"/>		
			450 l/min	45 <input type="checkbox"/>		
			500 l/min	50 <input type="checkbox"/>		
			600 l/min	60 <input type="checkbox"/>		
			800 l/min	80 <input type="checkbox"/>		
	Altro Other	F <input type="checkbox"/>	Specificare in Note la portata Specify in Notes the flow rate			
CONNESSIONE CONNECTION	3	Tipologia Type	Filettato BSP Threaded BSP	BSP <input type="checkbox"/>		
			Raccordo istantaneo Quick coupling	RC <input type="checkbox"/>	Specificare in Pos. 4 la tipologia del raccordo richiesto. Specify in Pos. 4 the type required coupling	
			Flangia Flange	FL <input type="checkbox"/>	Specificare in Pos. 5 la tipologia della flangia richiesta. Specify in Pos. 5 the type required flange	
RACCORDI ISTANTANEI QUICK COUPLING	4	Tipologia Type	UNI Italian	UNI 45 UNI 70	UNI 45 <input type="checkbox"/> UNI 70 <input type="checkbox"/>	
			BS British		BS 336 <input type="checkbox"/>	
			STORZ German	STORZ 52	STORZ52 <input type="checkbox"/>	
				STORZ 75	STORZ75 <input type="checkbox"/>	
			DSP French	DSP 40	DSP40 <input type="checkbox"/>	
				DSP 65	DSP65 <input type="checkbox"/>	
			NH North American	NH 1 1/2"	NH1M <input type="checkbox"/>	
				NH 2 1/2"	NH2M <input type="checkbox"/>	
			GOST Russian		GOST <input type="checkbox"/>	
			SMS Swedish		SMS <input type="checkbox"/>	
NOR Norwegian	NOR 1 1/2"	NOR1M <input type="checkbox"/>				
	NOR 2 1/2"	NOR2M <input type="checkbox"/>				

Prosegue alla pagina seguente / Continue to the next page

FLANGIA FLANGE	5	Tipologia Type	ANSI 150lb RF	2"	RF2 <input type="checkbox"/>	
				2 1/2"	RF2M <input type="checkbox"/>	
				3"	RF3 <input type="checkbox"/>	
			ANSI 150lb FF	2"	FF2 <input type="checkbox"/>	
				2 1/2"	FF2M <input type="checkbox"/>	
				3"	FF3 <input type="checkbox"/>	
			UNI PN16	2"	UNI2 <input type="checkbox"/>	
				2 1/2"	UNI2M <input type="checkbox"/>	
				3"	UNI3 <input type="checkbox"/>	
			Altro Other			
OPZIONI OPTIONS	6	Verniciatura Painting	Verniciatura diversa da ciclo SA standard Painting system different for SA standard		C <input type="checkbox"/>	Specificare in Note il ciclo di verniciatura richiesto. Specify in Notes the painting procedure required.
NOTE NOTES						
CLIENTE / CLIENT:		PROGETTO / PROJECT:		DOC. No.:		REV.:
EMESSO / ISSUED:		CONTROLLATO / CHECKED:		APPROVATO / APPROVED:		
DATA / DATE:		DATA / DATE:		DATA / DATE:		

MISCELATORE DI LINEA FISSO – MLF 1000 – 3100 lpm
FIXED LINE MIXER – MLF



Descrizione		Description	
<p>Il Mod. MLF è un miscelatore di linea fisso di tipo Venturi che sfrutta la depressione che si crea quando l'acqua passa attraverso delle sezioni differenti in un tubo. In esercizio il miscelatore MLF induce la schiuma concentrata da un fusto a pressione atmosferica e lo inietta nel flusso principale formando una soluzione schiumogena all'1%, 3% o 6%. I miscelatori sono costruiti in acciaio inox con corpo Venturi in bronzo e dotati di una valvola di regolazione e isolamento che consente la regolazione e la completa chiusura della linea di adduzione schiuma. Questi miscelatori possono essere impiegati per miscelare concentrato schiumogeno in piccole installazioni fisse a portata costante.</p>		<p>The Mod. MLF is a Venturi type fixed line mixer that works on the basis of the negative pressure generated when water passes through different piping sections. When in operation the MLF proportioner inducts foam concentrate from an atmospheric storage tank and injects it into the water stream, providing a 1%, 3% or 6% foam solution. The Mod. MLF is manufactured in stainless steel with Venturi in bronze and equipped with a metering and shut off valve that allows foam induction to be regulated and stopped. This type of mixers can be used for metering foam in water in small fixed applications with a fixed flow rate.</p>	

Altre versioni disponibili

Miscelatore di linea portate 200 – 800 lpm (vedi DS A.20.00.10.10)

Other versions available

Line mixer flow rate 200 – 800 lpm (see DS A.20.00.10.10)

Caratteristiche tecniche

- Corpo in bronzo EN 1982 – CC491K
- Tubo in acciaio inox AISI 304
- Attacco di alimentazione a scelta tra:
 - Attacco filettato: M. BSP
 - Attacco flangiato: ANSI o UNI
- Selettore di miscelazione 0 ÷ 1 ÷ 3 ÷ 6 %
- Valvola di non ritorno
- Tubo pescante in PVC con spirale interna d'acciaio con terminale tubo in PVC
- Pressione massima di esercizio 16 bar
- Pressione di progetto 16 bar
- Pressione di collaudo 24 bar

Ciclo verniciatura standard SA:

- Pulizia manuale con solvente
- Primer epossidico 60 µm
- Intermedio epossidico 30 µm
- Finitura poliuretano 30 µm
- Spessore totale film secco 120 µm +/-10%
- Colore rosso RAL 3000

Technical characteristics

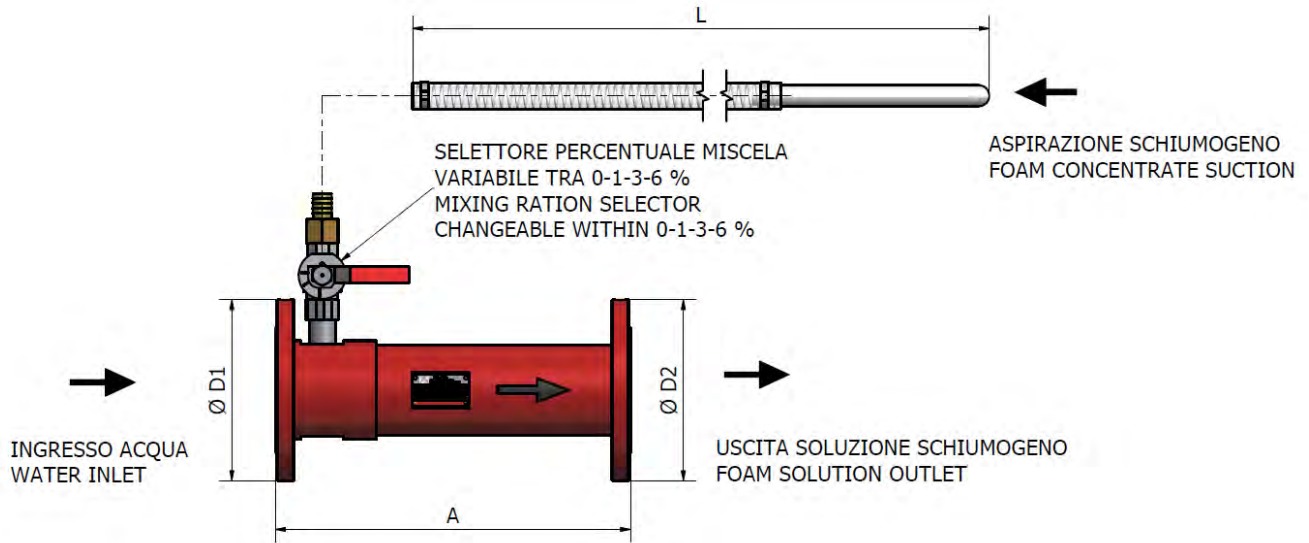
- Body material in bronze EN 1982 – CC491K
- Pipe in stainless steel AISI 304
- Supply connection to be selected among:
 - Threaded connection: M.BSP
 - Flanged connection: ANSI or UNI
- Mixing ratio selector 0 ÷ 1 ÷ 3 ÷ 6 %
- Check valve
- Dip tube in PVC with internal steel spiral and PVC pipe terminal
- Maximum working pressure 16 bar
- Design pressure 16 bar
- Test pressure 24 bar

Painting system standard SA:

- Manual cleaning solvent
- Epoxy primer 60 µm
- Epoxy Intermediate 30 µm
- Polyurethane finish 30 µm
- Total thickness 120 µm dry film +/-10%
- Colour red RAL 3000

Dimensioni e Pesì:

Dimensions and Weights:



Ø D1	Ø D2	A mm	L mm	Miscelazione Mixing ratio %	Portata Flow rate l/min – 8 bar	Perdita di carico a 8 bar Pressure loss at 8 bar	Pressione d'esercizio Working pressure bar	Peso Weight kg
4"	4"	400	2250	0 ÷ 1 ÷ 3 ÷ 6	1000	30 %	4 ÷ 12	24
					1200	30 %		
					1400	30 %		
					1600	29 %		
					1800	29 %		
4"	4"	450	2250	0 ÷ 1 ÷ 3 ÷ 6	2000	28 %	4 ÷ 12	25
					2200	28 %		
					2400	27 %		
					2600	27 %		
					2800	27 %		
4"	4"	450	2250	0 ÷ 1 ÷ 3 ÷ 6	3000	27 %	4 ÷ 12	25
					3100	27 %		

Opzioni

- Ciclo di verniciatura diverso dallo Standard SA
- Per ulteriori opzioni o versioni speciali contattare SA Fire Protection

Optional

- Painting system different from Standard SA
- For additional options or special versions contact SA Fire Protection

Codice Identificativo
Identification Form

OPZIONI /
OPTIONS

Mod.

/ /

1 2 3 4

Quantità / Quantity

MISCELATORE DI LINEA FISSO MLF / FIXED LINE MIXER MLF

MISCELATORE DI LINEA FISSO MLF / FIXED LINE MIXER MLF				
TIPOLOGIA TYPE	1	Tipologia Type	Miscelatore di linea Line mixer	MLF <input checked="" type="checkbox"/>
	2	Portata a 8 bar Flow rate at 8 bar	1000 l/min	100 <input type="checkbox"/>
			1200 l/min	120 <input type="checkbox"/>
			1400 l/min	140 <input type="checkbox"/>
			1600 l/min	160 <input type="checkbox"/>
			1800 l/min	180 <input type="checkbox"/>
			2000 l/min	200 <input type="checkbox"/>
			2200 l/min	220 <input type="checkbox"/>
			2400 l/min	240 <input type="checkbox"/>
			2600 l/min	260 <input type="checkbox"/>
			2800 l/min	280 <input type="checkbox"/>
			3000 l/min	300 <input type="checkbox"/>
			3100 l/min	310 <input type="checkbox"/>
	Altro Other	F <input type="checkbox"/>	Specificare in Note la portata Specify in Notes the flow rate	
CONNESSIONE CONNECTION	3	Tipologia Type	Filettato M. BSP Threaded M: BSP	BSP <input type="checkbox"/>
			ANSI 150lb RF	150RF <input type="checkbox"/>
			ANSI 150lb FF	150FF <input type="checkbox"/>
			UNI PN16	UNI <input type="checkbox"/>
			Altro Other	F <input type="checkbox"/>
OPZIONI OPTIONS	4	Verniciatura Painting	Verniciatura diversa da ciclo SA standard Painting system different for SA standard	C <input type="checkbox"/>
				Specificare in Note il ciclo di verniciatura richiesto. Specify in Notes the painting procedure required.

LANCIA SCHIUMA PORTATILE – LSBEP 200 – 800 lpm
PORTABLE FOAM BRANCHPIPE – LSBEP



Descrizione



Il Mod. LSBEP è una lancia schiuma portatile a bassa espansione costruita con un tubo in acciaio inox e corredata di prese di aspirazione aria. La sua particolare geometria consente all'aria di essere aspirata nel getto iniziando così l'emulsificazione della schiuma prima che questa venga proiettata in aria. La lancia schiuma LSBEP è disponibile con attacco filettato F.BSP da 2" o 2 1/2" al quale è possibile collegare qualsiasi tipo di raccordo istantaneo.

Description



The Mod. LSBEP is a low expansion portable foam branchpipe manufactured from a stainless steel tube with provisions for air aspiration. The specific geometry allows air to be introduced into the jet, starting the emulsification of the foam before being projected in the air. The LSBEP branchpipe is available with a threaded connections F.BSP 2" or 2 1/2" to which any type of instantaneous coupling can be connected

Altre versioni disponibili

- Lancia schiuma auto-aspirante portatile (vedi DS. A.30.00.10.10)

Other versions available

- Self-inducing portable foam branch pipe (see DS A.30.00.10.10)

Caratteristiche tecniche

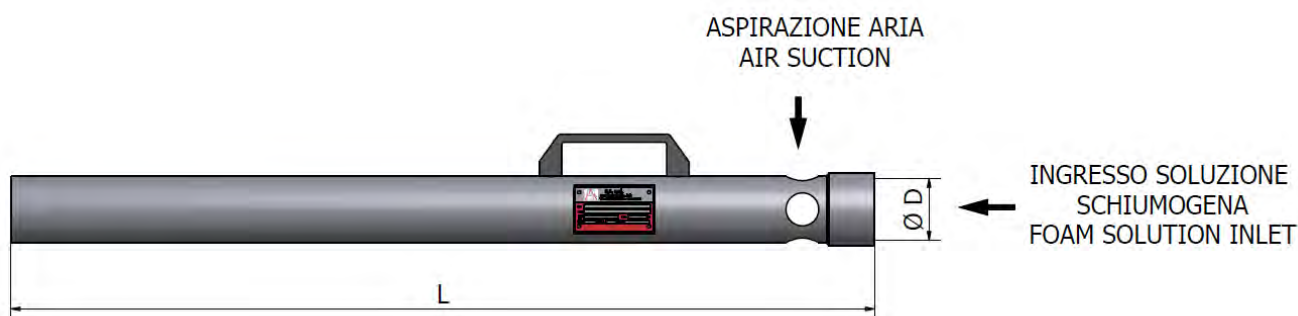
- Corpo lancia a scelta tra:
 - Acciaio inox AISI 316
 - Acciaio inox AISI 304
- Corpo ugello a scelta tra:
 - Bronzo EN 1982 – CC491K
 - Acciaio inox AISI 316
 - Lega di alluminio G-AISI9
- Attacco ingresso a scelta tra:
 - Attacco filettato: F. BSP
 - Attacco con raccordi istantanei:
 - UNI, BS 336, DSP, STORZ, GOST, NH, SMS, NOR
- Maniglia in plastica
- Rapporto di espansione 1:6 (Varia con il tipo di schiumogeno)
- Esecuzione idonea ad installazione esterna in ambiente marino e funzionamento con acqua mare e soluzioni schiumogene
- Pressione di progetto 16 bar
- Finitura al naturale

Technical characteristics

- Body branch pipe to be selected among:
 - Stainless steel AISI 316
 - Stainless steel AISI 304
- Nozzle body material to be selected among:
 - Bronze EN 1982 – CC491K
 - Stainless steel AISI 316
 - Aluminium alloy G-AISI9
- Inlet connection to be selected among:
 - Threaded connection: F.BSP
 - Quick couplings connection
 - UNI, BS 336, DSP, STORZ, GOST, NH, SMS, NOR
- Plastic handle
- Expansion ratio 1:6 (May vary depending on the foam concentrate)
- Suitable execution for external installation in marine environment and operation with sea water and foam solutions
- Design pressure: 16 bar
- Natural finishing

Dimensioni e Pesì

Dimensions and Weights



Ø D BSP	L mm	Portata Flow rate l/min – 5 bar	Pressione d'esercizio Working pressure bar	Resa schiuma ⁽¹⁾ Foam production l/min – 5 bar	Gittata Throw m – 5 bar	Peso Weight (kg)
2"	650	200	3 ÷ 8	1200	20	3.8
2"	650	225	3 ÷ 8	1350	20	3.8
2"	650	250	3 ÷ 8	1500	20	3.8
2"	650	400	3 ÷ 8	2400	25	3.8
2"	650	450	3 ÷ 8	2700	25	3.8
2"	650	500	3 ÷ 8	3000	25	3.8
2 1/2"	1000 ⁽²⁾	800	3 ÷ 8	4800	28	7.0

Opzioni

- Ciclo di verniciatura diverso dallo Standard SA
- Per ulteriori opzioni o versioni speciali contattare SA Fire Protection

Optional

- Painting system different from Standard SA
- For additional options or special versions contact SA Fire Protection

Nota:

- (1) Dipende dal tipo di schiumogeno
 (2) La lancia con lunghezza 1000 mm è equipaggiata con due maniglie

Note:

- (1) Depending on foam concentrate type
 (2) The branchpipe with length 1000 mm is equipped with two handles

**Codice Identificativo
Identification Form**

OPZIONI / OPTIONS

Mod. **LSBEP** / / / / / /

Quantità / Quantity

LANCIA SCHIUMA PORTATILE LSBEP / PORTABLE FOAM BRANCHPIPE LSBEP						
TIPOLOGIA TYPE	1	Tipologia Type	Lancia schiuma portatile Portable foam branchpipe	LSBEP <input checked="" type="checkbox"/>		
	2	Materiale Material	Acciaio inox AISI 304 Stainless steel AISI 304	CAI30 <input type="checkbox"/>	Materiale standard Standard material	
Acciaio inox AISI 316 Stainless steel AISI 316			CAI32 <input type="checkbox"/>			
UGELLO NOZZLE	3	Materiale Material	Bronzo EN 1982 – CC491K Bronze EN 1982 – CC491K	CBG10 <input type="checkbox"/>		
			Acciaio inox AISI 316 Stainless steel AISI 316	CAI12 <input type="checkbox"/>		
			Lega di alluminio G-AISI9 Aluminium alloy G-AISI9	CAL10 <input type="checkbox"/>	Materiale standard Standard material	
PORTATA FLOW RATE	4	Portata a 5 bar Flow rate at 5 bar	200 l/min	20 <input type="checkbox"/>		
			225 l/min	22M <input type="checkbox"/>		
			250 l/min	25 <input type="checkbox"/>		
			400 l/min	40 <input type="checkbox"/>		
			450 l/min	45 <input type="checkbox"/>		
			500 l/min	50 <input type="checkbox"/>		
			800 l/min	80 <input type="checkbox"/>		
			Altro Other	F <input type="checkbox"/>	Specificare in Note la portata Specify in Notes the flow rate	
CONNESSIONE CONNECTION	5	Tipologia Type	Filettato BSP Threaded BSP	BSP <input type="checkbox"/>		
			Raccordo istantaneo Quick coupling	RC <input type="checkbox"/>	Specificare in Pos. 6 la tipologia del raccordo richiesto. Specify in Pos. 6 the type required coupling	
RACCORDI ISTANTAEI QUICK COUPLING	6	Tipologia Type	UNI Italian	UNI 45 UNI 70	UNI 45 <input type="checkbox"/> UNI 70 <input type="checkbox"/>	
			BS British		BS 336 <input type="checkbox"/>	
			STORZ German	STORZ 52 STORZ 75	STORZ52 <input type="checkbox"/> STORZ75 <input type="checkbox"/>	
			DSP French	DSP 40 DSP 65	DSP40 <input type="checkbox"/> DSP65 <input type="checkbox"/>	
			NH North American	NH 1 1/2" NH 2 1/2"	NH1M <input type="checkbox"/> NH2M <input type="checkbox"/>	

Prosegue alla pagina seguente / Continue to the next page

RACCORDI ISTANTAEI QUICK COUPLING	6	Tipologia Type	GOST Russian		GOST <input type="checkbox"/>	
			SMS Swedish		SMS <input type="checkbox"/>	
			NOR Norwegian	NOR 1 1/2"	NOR1M <input type="checkbox"/>	
				NOR 2 1/2"	NOR2M <input type="checkbox"/>	
OPZIONI OPTIONS	7	Verniciatura Painting	Verniciatura diversa da ciclo SA standard Painting system different for SA standard		C <input type="checkbox"/>	Specificare in Note il ciclo di verniciatura richiesto. Specify in Notes the painting procedure required.
NOTE NOTES	<div style="border: 1px solid black; height: 100px;"></div>					
CLIENTE / CLIENT:			PROGETTO / PROJECT:		DOC. No.:	REV.:
EMESSO / ISSUED:			CONTROLLATO / CHECKED:		APPROVATO / APPROVED:	
DATA / DATE:			DATA / DATE:		DATA / DATE:	

LANCIA SCHIUMA AUTO ASPIRANTE PORTATILE – LSABEP 200 – 800 lpm
SELF-INDUCING PORTABLE FOAM BRANCHPIPE – LSABEP



Descrizione



Il Mod. LSABEP è una lancia schiuma portatile auto aspirante a bassa espansione, costruita con un tubo in acciaio inox e corredata di prese di aspirazione aria. La sua particolare geometria consente all'aria di essere aspirata nel getto iniziando così l'emulsificazione della schiuma prima che questa venga proiettata in aria. La lancia schiuma LSABEP è disponibile con attacco filettato F.BSP da 2" o 2 1/2" al quale è possibile collegare qualsiasi tipo di raccordo istantaneo.

Description



The Mod. LSABEP is a low expansion, self-inducing portable foam branchpipe manufactured from a stainless steel tube with provisions for air aspiration. The specific geometry allows air to be introduced into the jet, starting the emulsification of the foam before being projected in the air. The LSABEP branchpipe is available with a threaded connections F.BSP 2" or 2 1/2" to which any type of instantaneous coupling can be connected

Altre versioni disponibili

- Lancia schiuma portatile (vedi DS. A.30.00.00.10)

Other versions available

- Portable foam branchpipe (see DS A.30.00.00.10)

Caratteristiche tecniche

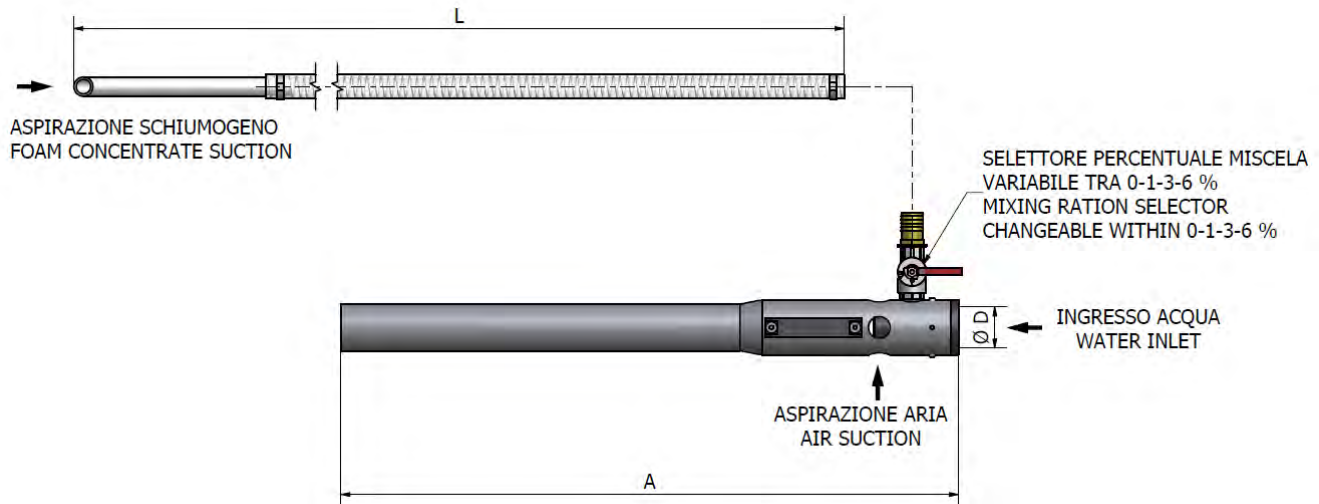
- Corpo lancia a scelta tra:
 - Acciaio inox AISI 316
 - Acciaio inox AISI 304
- Corpo ugello a scelta tra:
 - Bronzo EN 1982 – CC491K
 - Acciaio inox AISI 316
 - Lega di alluminio G-AISI9
- Attacco ingresso a scelta tra:
 - Attacco filettato: F. BSP
 - Attacco con raccordi istantanei:
 - UNI, BS 336, DSP, STORZ, GOST, NH, SMS, NOR
- Selettore di miscelazione 0 ÷ 1 ÷ 3 ÷ 6 %
- Valvola di non ritorno
- Tubo pescante in PVC con spirale interna d'acciaio con terminale tubo in PVC
- Maniglia in plastica
- Rapporto di espansione 1:6 (Varia con il tipo di schiumogeno)
- Esecuzione idonea ad installazione esterna in ambiente marino e funzionamento con acqua mare e soluzioni schiumogene
- Pressione di progetto 16 bar
- Finitura al naturale

Technical characteristics

- Body branchpipe to be selected among:
 - Stainless steel AISI 316
 - Stainless steel AISI 304
- Nozzle body material to be selected among:
 - Bronze EN 1982 – CC491K
 - Stainless steel AISI 316
 - Aluminium alloy G-AISI9
- Inlet connection to be selected among:
 - Threaded connection: F.BSP
 - Quick couplings connection
 - UNI, BS 336, DSP, STORZ, GOST, NH, SMS, NOR
- Mixing ratio selector 0 ÷ 1 ÷ 3 ÷ 6 %
- Check valve
- Dip tube in PVC with internal steel spiral and PVC pipe terminal
- Plastic handle
- Expansion ratio 1:6 (May vary depending on the foam concentrate)
- Suitable execution for external installation in marine environment and operation with sea water and foam solutions
- Design pressure: 16 bar
- Natural finishing

Dimensioni e Pesì

Dimensions and Weights



Ø D BSP	A mm	L mm	Portata Flow rate l/min – 5 bar	Pressione d'esercizio Working pressure bar	Resa schiuma ⁽¹⁾ Foam production l/min – 5 bar	Gittata Throw m – 5 bar	Peso Weight (kg)
2"	850	2250	200	4 ÷ 8	1200	20	4.8
2"	850		225	4 ÷ 8	1350	20	4.8
2"	850		250	4 ÷ 8	1500	20	4.8
2"	850		400	4 ÷ 8	2400	25	4.8
2"	850		450	4 ÷ 8	2700	25	4.8
2"	850		500	4 ÷ 8	3000	25	4.8
2 1/2"	1000 ⁽²⁾		800	4 ÷ 8	4800	28	7.7

Opzioni

Optional

- Ciclo di verniciatura diverso dallo Standard SA
- Per ulteriori opzioni o versioni speciali contattare SA Fire Protection
- Painting system different from Standard SA
- For additional options or special versions contact SA Fire Protection

Nota:

- (1) Dipende dal tipo di schiumogeno
 (2) La lancia con lunghezza 1000 mm è equipaggiata con due maniglie

Note:

- (1) Depending on foam concentrate type
 (2) The Branchpipe with length 1000 mm is equipped with two handles

**Codice Identificativo
Identification Form**

OPZIONI / OPTIONS

Mod. **LSABEP** / / / / / / /

1
2
3
4
5
6
7

Quantità / Quantity

LANCIA SCHIUMA AUTOASPIRANTE PORTATILE LSABEP / SELF-INDUCING PORTABLE FOAM BRANCHPIPE LSABEP					
TIPOLOGIA TYPE	1	Tipologia Type	Lancia autoaspirante portatile Self-inducing portable branche pipe	LSABEP <input checked="" type="checkbox"/>	
	2	Materiale Material	Acciaio inox AISI 304 Stainless steel AISI 304	CAI30 <input type="checkbox"/>	Materiale standard Standard material
			Acciaio inox AISI 316 Stainless steel AISI 316	CAI32 <input type="checkbox"/>	
UGELLO NOZZLE	3	Materiale Material	Bronzo EN 1982 – CC491K Bronze EN 1982 – CC491K	CBG10 <input type="checkbox"/>	
			Acciaio inox AISI 316 Stainless steel AISI 316	CAI12 <input type="checkbox"/>	
			Lega di alluminio G-AISI9 Aluminium alloy G-AISI9	CAL10 <input type="checkbox"/>	Materiale standard Standard material
PORTATA FLOW RATE	4	Portata a 5 bar Flow rate at 5 bar	200 l/min	20 <input type="checkbox"/>	
			225 l/min	22M <input type="checkbox"/>	
			250 l/min	25 <input type="checkbox"/>	
			400 l/min	40 <input type="checkbox"/>	
			450 l/min	45 <input type="checkbox"/>	
			500 l/min	50 <input type="checkbox"/>	
			800 l/min	80 <input type="checkbox"/>	
			Altro Other	F <input type="checkbox"/>	Specificare in Note la portata Specify in Notes the flow rate
CONNESSIONE CONNECTION	5	Tipologia Type	Filettato BSP Threaded BSP	BSP <input type="checkbox"/>	
			Raccordo istantaneo Quick coupling	RC <input type="checkbox"/>	Specificare in Pos. 6 la tipologia del raccordo richiesto. Specify in Pos. 6 the type required coupling
RACCORDI ISTANTANEI QUICK COUPLING	6	Tipologia Type	UNI Italian	UNI 45	UNI 45 <input type="checkbox"/>
				UNI 70	UNI 70 <input type="checkbox"/>
			BS British	BS 336 <input type="checkbox"/>	
				STORZ German	STORZ 52
			STORZ 75		STORZ75 <input type="checkbox"/>
			DSP French	DSP 40	DSP40 <input type="checkbox"/>
				DSP 65	DSP65 <input type="checkbox"/>
			NH North American	NH 1 1/2"	NH1M <input type="checkbox"/>
NH 2 1/2"	NH2M <input type="checkbox"/>				

Prosegue alla pagina seguente / Continue to the next page

RACCORDI INSTANTAEI QUICK COUPLING	6	Tipologia Type	GOST Russian		GOST <input type="checkbox"/>	
			SMS Swedish		SMS <input type="checkbox"/>	
			NOR Norwegian	NOR 1 1/2"	NOR1M <input type="checkbox"/>	
				NOR 2 1/2"	NOR2M <input type="checkbox"/>	
OPZIONI OPTIONS	7	Verniciatura Painting	Verniciatura diversa da ciclo SA standard Painting system different for SA standard		C <input type="checkbox"/>	Specificare in Note il ciclo di verniciatura richiesto. Specify in Notes the painting procedure required.
NOTE NOTES						
	CLIENTE / CLIENT:		PROGETTO / PROJECT:		DOC. No.:	REV.:
	EMESSO / ISSUED:		CONTROLLATO / CHECKED:		APPROVATO / APPROVED:	
DATA / DATE:		DATA / DATE:		DATA / DATE:		

I particolari di questo foglio tecnico, sebbene esatti al tempo della pubblicazione, potrebbero essere soggetti a modifiche senza preavviso. - The data shown on this data sheet, although correct at the time of publication, may be varied without notice.

LANCIA SCHIUMA FISSA – LSBEF 200 – 3200 lpm
FIXED FOAM BRANCHPIPE – LSBEF



Tipo A / Type A



Tipo B / Type B

Descrizione



Il Mod. LSBEF è una lancia schiuma fissa a bassa espansione costruita con un tubo in acciaio al carbonio o in acciaio inox e corredata di prese di aspirazione aria. La sua particolare geometria consente all'aria di essere aspirata nel getto iniziando così l'emulsificazione della schiuma prima che questa venga proiettata in aria. La lancia schiuma LSBEF è utilizzata per la protezione di bacini di contenimento e serbatoi a tetto galleggiante. La lancia schiuma LSBEF è disponibile in due versioni: Tipo A e Tipo B. La Tipo A è una lancia schiuma che può essere installata anche a distanza dal pericolo di incendio, ma richiede il montaggio di un versatore finale, tipo versatore schiuma VS o VSL, per dirigere la schiuma sul combustibile infiammato. La Tipo B che comprende nel suo terminale un deflettore che permette alla schiuma di orientarsi sul liquido infiammato. Questa configurazione permette un montaggio diretto sul perimetro del bacino senza la necessità di impiegare un versatore. La Tipo A è disponibile con attacchi di ingresso / uscita flangiati ANSI o UNI. La Tipo B è disponibile con attacchi di ingresso flangiati ANSI o UNI.

Description



The Mod. LSBEF is a low expansion foam branchpipe manufactured from a carbon steel tube or a stainless steel tube with provisions for air aspiration. The specific geometry allow for air to be introduced into the jet, starting the emulsification of the foam before being projected in the air. The foam branchpipe LSBEF is used for the protection of dike areas and floating roof tanks. The foam lance LSBEF is available in two versions: Type A and Type B. The Type A is a foam branchpipe that can be installed also at a distance from the danger of fire, but requires the assembly of a final pourer, such as type VS or type VSL foam pourer, for directing the foam on the fuel inflamed. The Type B includes in its terminal a deflector that allows the foam to be oriented on the burning liquid. This configuration allows a direct mounting on the perimeter of the dike with no need to employ a pourer. The Type A is available with inlet / outlet flange ANSI or UNI. The Type B is available with the inlet flange ANSI or UNI.

Caratteristiche tecniche

Lancia schiuma fissa Tipo A

- Materiale lancia a scelta tra:
 - Acciaio al carbonio
 - Acciaio inox AISI 304
 - Acciaio inox AISI 316
- Corpo orifizio calibrato in acciaio inox AISI 316
- Flange ingresso/uscita ANSI o UNI
- Rete di protezione in acciaio inox
- Rapporto di espansione 1:6 (Varia con il tipo di schiumogeno)
- Esecuzione idonea ad installazione esterna in ambiente marino e funzionamento con acqua mare e soluzioni schiumogene
- Pressione di progetto 16 bar

Lancia schiuma fissa Tipo B

- Materiale lancia a scelta tra:
 - Acciaio al carbonio
 - Acciaio inox AISI 304
 - Acciaio inox AISI 316
- Corpo orifizio calibrato in acciaio inox AISI 316
- Flangia d'ingresso ANSI o UNI
- Rete di protezione in acciaio inox
- Rapporto di espansione 1:6 (Varia con il tipo di schiumogeno)
- Esecuzione idonea ad installazione esterna in ambiente marino e funzionamento con acqua mare e soluzioni schiumogene
- Pressione di progetto 16 bar

Ciclo verniciatura standard SA:

- Pulizia manuale con solvente
- Primer epossidico 60 µm
- Intermedio epossidico 30 µm
- Finitura poliuretano 30 µm
- Spessore totale film secco 120 µm +/-10%
- Colore rosso RAL 3000

Technical characteristics

Fixed foam branchpipe Type A

- Material branchpipe to be selected among:
 - Carbon steel
 - Stainless steel AISI 304
 - Stainless steel AISI 316
- Orifice plate body in stainless steel AISI 316
- Inlet/outlet flanges ANSI or UNI
- Stainless steel protection net
- Expansion ratio 1:6 (May vary depending on the foam concentrate)
- Suitable execution for external installation in marine environment and operation with sea water and foam solutions
- Design pressure 16 bar

Fixed foam branchpipe Type B

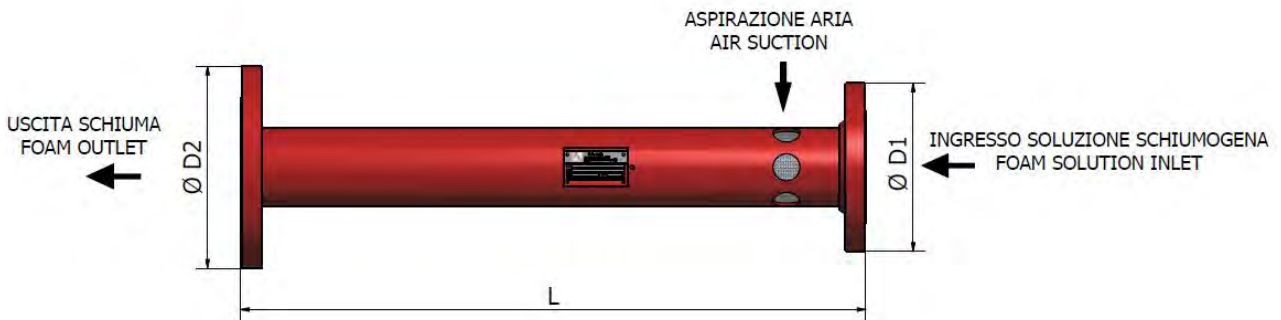
- Material branchpipe to be selected among:
 - Carbon steel
 - Stainless steel AISI 304
 - Stainless steel AISI 316
- Orifice plate body in stainless steel AISI 316
- Inlet flange ANSI or UNI
- Stainless steel protection net
- Expansion ratio 1:6 (May vary depending on the foam concentrate)
- Suitable execution for external installation in marine environment and operation with sea water and foam solutions
- Design pressure 16 bar

Painting system standard SA:

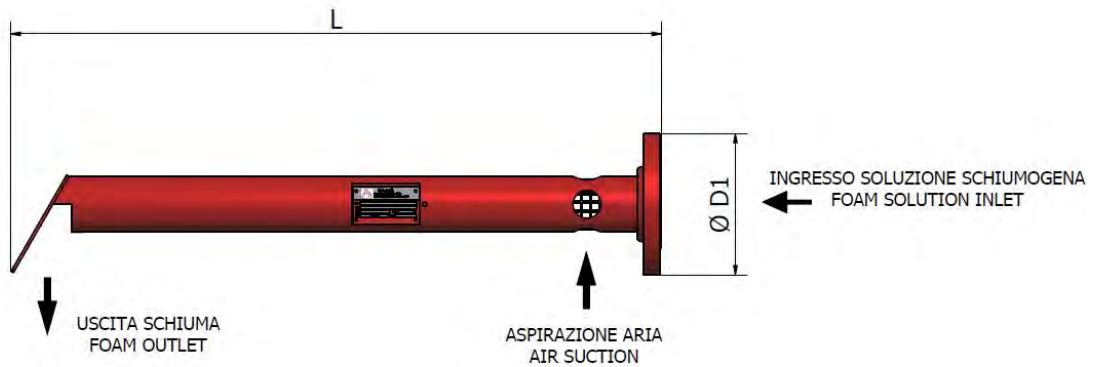
- Manual cleaning solvent
- Epoxy primer 60 µm
- Epoxy Intermediate 30 µm
- Polyurethane finish 30 µm
- Total thickness 120 µm dry film +/-10%
- Colour red RAL 3000

Dimensioni e Pesì:

Dimensions and Weights :



LSBEFA



LSBEFB

Ø D1	Ø D2		L mm	Portata Flow rate l/min – 5 bar	Resa schiuma ⁽¹⁾ Foam production l/min – 5 bar	Pressione d'esercizio Working pressure bar	Peso Weight (kg)
	LSBEFA	LSBEFB					
2"	3"	-	700	200	1200	5 ÷ 16	12
2"	3"	-	700	300	1800	5 ÷ 16	12
2"	3"	-	700	400	2400	5 ÷ 16	12
3"	4"	-	700	800	4800	5 ÷ 16	18
3"	4"	-	700	1000	6000	5 ÷ 16	18
4"	6"	-	1000	1200	7200	5 ÷ 16	29
4"	6"	-	1000	1600	9600	5 ÷ 16	29
5"	8"	-	1000	2000	12000	5 ÷ 16	40
5"	8"	-	1000	2400	14400	5 ÷ 16	40
5"	8"	-	1000	3200	19200	5 ÷ 16	40

Opzioni

- Ciclo di verniciatura diverso dallo Standard SA
- Per ulteriori opzioni o versioni speciali contattare SA Fire Protection

Optional

- Painting system different from Standard SA
- For additional options or special versions contact SA Fire Protection

Nota:

(1) Dipende dal tipo di schiumogeno

Note:

(1) Depending on foam concentrate type

Codice Identificativo
Identification Form

OPZIONI / OPTIONS

Mod.

1

 /

2

3

 /

4

5

Quantità / Quantity

LANCIA SCHIUMA FISSA LSBEF / FIXED FOAM BRANCHPIPE LSBEF

LANCIA SCHIUMA FISSA LSBEF / FIXED FOAM BRANCHPIPE LSBEF					
CORPO BODY	1	Tipologia Type	Lancia schiuma fissa Tipo A Fixed foam branche pipe Type A	LSBEFA <input type="checkbox"/>	
			Lancia schiuma fissa Tipo B con deflettore Fixed foam branche pipe Type B with deflector	LSBEFB <input type="checkbox"/>	
	2	Materiale Material	Acciaio al carbonio Carbon steel	CAC31 <input type="checkbox"/>	
			Acciaio inox AISI 304 Stainless steel AISI 304	CAI30 <input type="checkbox"/>	Materiale standard Standard material
Acciaio inox AISI 316 Stainless steel AISI 316			CAI32 <input type="checkbox"/>		
PORTATA FLOW RATE	3	Portata a 5 bar Flow rate at 5 bar	200 l/min	20 <input type="checkbox"/>	
			300 l/min	30 <input type="checkbox"/>	
			400 l/min	40 <input type="checkbox"/>	
			800 l/min	80 <input type="checkbox"/>	
			1000 l/min	100 <input type="checkbox"/>	
			1200 l/min	120 <input type="checkbox"/>	
			1600 l/min	160 <input type="checkbox"/>	
			2000 l/min	200 <input type="checkbox"/>	
			2400 l/min	240 <input type="checkbox"/>	
			3200 l/min	320 <input type="checkbox"/>	
			Altro Other	F <input type="checkbox"/>	Specificare in Note la portata Specify in Notes the flow rate
FLANGIA FLANGE	4	Tipologia Type	ANSI 150lb RF	150RF <input type="checkbox"/>	Tipologia standard Standard type
			ANSI 150lb FF	150FF <input type="checkbox"/>	
			UNI PN16	UNI <input type="checkbox"/>	
			Altro Other	F <input type="checkbox"/>	Specificare in Note la tipologia di flangia richiesta. Specify in Notes the type of flange requested.
OPZIONI OPTIONS	5	Verniciatura Painting	Verniciatura diversa da ciclo SA standard Painting system different for SA standard	C <input type="checkbox"/>	Specificare in Note il ciclo di verniciatura richiesto. Specify in Notes the painting procedure required.

NOTE NOTES	

CLIENTE / CLIENT:	PROGETTO / PROJECT:	DOC. No.:	REV.:
EMESSO / ISSUED:	CONTROLLATO / CHECKED:	APPROVATO / APPROVED:	
DATA / DATE:	DATA / DATE:	DATA / DATE:	

LANCIA SCHIUMA AD ALTA CONTROPRESSIONE – LSAC
HIGH BACKPRESSURE FOAM GENERATOR – LSAC



Descrizione



Il Mod. LSAC è una lancia schiuma ad alta contropressione utilizzata con schiumogeni a bassa espansione per l'iniezione di schiuma dal basso sul liquido combustibile a protezione dei serbatoi a tetto fisso. La combinazione tra la soluzione schiumogena pompata in ingresso alla lancia schiuma e l'aria aspirata dall'esterno consente la generazione della schiuma che viene poi iniettata alla base del serbatoio. Il Mod. LSAC è disponibile in acciaio al carbonio e acciaio inox, con flange ANSI o UNI.

Description



The Mod. LSAC is a high back pressure foam generator used with low expansion foam concentrate to inject foam in sub-surface applications for fixed cone tanks. The combination of the foam solution delivered to the foam generator and the self induced air generates the foam which is then delivered on the tank bottom and injected into the combustible product. The Mod. LSAC is available in carbon steel and stainless steel, with ANSI or UNI flanges.

Caratteristiche tecniche

- Corpo a scelta tra:
 - Acciaio al carbonio
 - Acciaio inox AISI 316
 - Acciaio inox AISI 304
- Corpo orificio calibrato in acciaio inox AISI 316
- Flange ingresso/uscita ANSI o UNI
- Rete di protezione in acciaio inox
- Valvola di ritegno in ottone
- Pressione di progetto 16 bar
- Pressione di collaudo 24 bar
- Rapporto di espansione 1:4 (Varia con il tipo di schiumogeno)
- Esecuzione idonea ad installazione esterna in ambiente marino e funzionamento con acqua mare e soluzioni schiumogene

Ciclo verniciatura standard SA:

- Pulizia manuale con solvente
- Primer epossidico 60 µm
- Intermedio epossidico 30 µm
- Finitura poliuretano 30 µm
- Spessore totale film secco 120 µm +/-10%
- Colore rosso RAL 3000
- Finitura al naturale

Technical characteristics

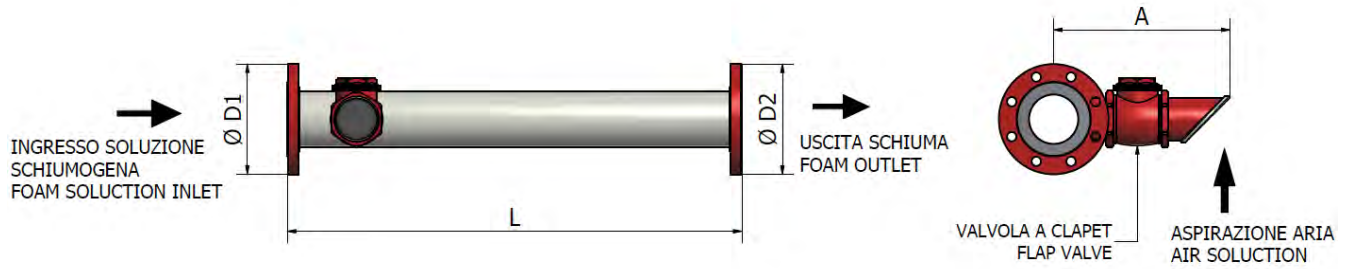
- Body to be selected among:
 - Carbon steel
 - Stainless steel AISI 316
 - Stainless steel AISI 304
- Orifice plate body in stainless steel AISI 316
- Inlet/outlet flanges ANSI or UNI
- Stainless steel protection net
- Check valve in brass material
- Design pressure 16 bar
- Test pressure 24 bar
- Expansion ratio 1:4 (May vary depending on the foam concentrate)
- Suitable execution for external installation in marine environment and operation with sea water and foam solutions

Painting system standard SA:

- Manual cleaning solvent
- Epoxy primer 60 µm
- Epoxy Intermediate 30 µm
- Polyurethane finish 30 µm
- Total thickness 120 µm dry film +/-10%
- Colour red RAL 3000
- Natural finishing

Dimensioni e Pesì

Dimensions and Weights



Ø D1	Ø D2	A mm	L mm	Portata Flow rate l/min – 5 bar	Pressione d'esercizio Working pressure bar	Contropressione Back - pressure	Peso Weight (kg)
2"	3"	270	700	200	6 ÷ 16	40 %	9
				300			
				400			
				500			
				600			
				700			
3"	4"	340	900	800	6 ÷ 16	40 %	12
				900			
				1000			
				1100			
				1200			
				1300			
4"	6"	400	1050	1600	6 ÷ 16	40 %	18
				1700			
				1800			
				1900			
				2000			
				2100			
				2200			
				2300			
2400							

Opzioni

- Ciclo di verniciatura diverso dallo Standard SA
- Per ulteriori opzioni o versioni speciali contattare SA Fire Protection

Optional

- Painting system different from Standard SA
- For additional options or special versions contact SA Fire Protection

Codice Identificativo
Identification Form

OPZIONI / OPTIONS

Mod. **LSAC** / / / /

1
2
3
4
5

Quantità / Quantity

LANCIA SCHIUMA AD ALTA CONTRO PRESSIONE LSAC / HIGH BACKPRESSURE FOAM GENERATOR LSAC

		Tipologia Type	Lancia alta contro pressione High backpressure generator		LSAC <input checked="" type="checkbox"/>				
TIPOLOGIA TYPE	2	Materiale Material	Acciaio al carbonio Carbon steel		CAC31 <input type="checkbox"/>	Materiale standard Standard material			
			Acciaio inox AISI 304 Stainless steel AISI 304		CAI30 <input type="checkbox"/>				
			Acciaio inox AISI 316 Stainless steel AISI 316		CAI32 <input type="checkbox"/>				
PORTATA FLOW RATE	3	Portata a 5 bar Flow rate at 5 bar	200 l/min	300 l/min	400 l/min	20 <input type="checkbox"/>	30 <input type="checkbox"/>	40 <input type="checkbox"/>	
			500 l/min	600 l/min	700 l/min	50 <input type="checkbox"/>	60 <input type="checkbox"/>	70 <input type="checkbox"/>	
			800 l/min	900 l/min	1000 l/min	80 <input type="checkbox"/>	90 <input type="checkbox"/>	100 <input type="checkbox"/>	
			1100 l/min	1200 l/min	1300 l/min	110 <input type="checkbox"/>	120 <input type="checkbox"/>	130 <input type="checkbox"/>	
			1400 l/min	1600 l/min	1700 l/min	140 <input type="checkbox"/>	160 <input type="checkbox"/>	170 <input type="checkbox"/>	
			1800 l/min	1900 l/min	2000 l/min	180 <input type="checkbox"/>	190 <input type="checkbox"/>	200 <input type="checkbox"/>	
			2100 l/min	2200 l/min	2300 l/min	210 <input type="checkbox"/>	220 <input type="checkbox"/>	230 <input type="checkbox"/>	
			2400 l/min					240 <input type="checkbox"/>	
			Altro Other					F <input type="checkbox"/>	Specificare in Note la portata Specify in Notes the flow rate
FLANGIA FLANGE	4	Tipologia Type	ANSI 150lb RF			150RF <input type="checkbox"/>	Tipologia standard Standard type		
			ANSI 150lb FF			150FF <input type="checkbox"/>			
			UNI PN16			UNI <input type="checkbox"/>			
			Altro Other				F <input type="checkbox"/>	Specificare in Note la tipologia di flangia richiesta. Specify in Notes the type of flange requested.	

OPZIONI OPTIONS	5	Verniciatura Painting	Verniciatura diversa da ciclo SA standard Painting system different for SA standard	C <input type="checkbox"/>	Specificare in Note il ciclo di verniciatura richiesto. Specify in Notes the painting procedure required.	
NOTE NOTES						
	CLIENTE / CLIENT:		PROGETTO / PROJECT:		DOC. No.:	REV. :
	EMESSO / ISSUED:		CONTROLLATO / CHECKED:		APPROVATO / APPROVED:	
DATA / DATE:		DATA / DATE:		DATA / DATE:		

I particolari di questo foglio tecnico, sebbene esatti al tempo della pubblicazione, potrebbero essere soggetti a modifiche senza preavviso. - The data shown on this data sheet, although correct at the time of publication, may be varied without notice.

LANCIA SCHIUMA A MEDIA ESPANSIONE PORTATILE – LSMEP 100 – 800 lpm
MEDIUM EXPANSION PORTABLE FOAM BRANCHPIPE – LSMEP



Descrizione



Il Mod. LSMEP è una lancia schiuma portatile a media espansione costruita in acciaio inox e corredata di prese di aspirazione aria. La sua particolare geometria consente all'aria di essere aspirata nel getto iniziando così l'emulsificazione della schiuma prima che questa venga proiettata in aria. La lancia schiuma LSMEP è disponibile con attacchi filettati M.BSP 1 1/2", 2" o 2 1/2", ai quali è possibile collegare qualsiasi tipo di raccordo istantaneo.

Description



The Mod. LSMEP is a medium expansion portable foam branchpipe manufactured in stainless steel with provisions for air inducing. The specific geometry allows for air to be introduced into the jet starting the emulsification of the foam before being projected in the air. The LSMEP branchpipe is available with threaded connections M.BSP 1 1/2", 2" or 2 1/2", to which any type of instantaneous coupling can be connected.

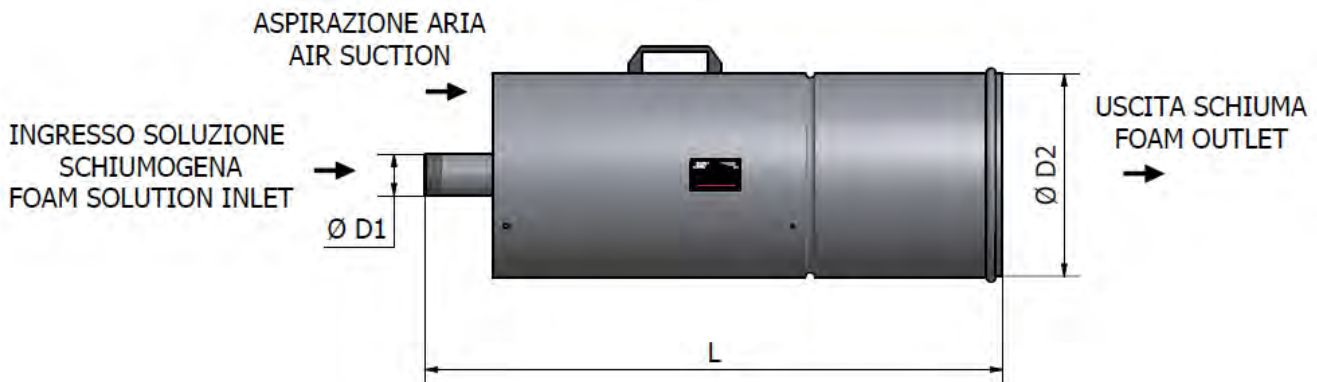
Caratteristiche tecniche

Technical characteristics

- | Caratteristiche tecniche | Technical characteristics |
|--|---|
| <ul style="list-style-type: none"> • Corpo lancia a scelta tra: <ul style="list-style-type: none"> • Acciaio inox AISI 316 • Acciaio inox AISI 304 • Corpo ugello a scelta tra: <ul style="list-style-type: none"> • Bronzo EN 1982 – CC491K • Acciaio inox AISI 316 • Attacco ingresso a scelta tra: <ul style="list-style-type: none"> • Attacco filettato: F. BSP • Attacco con raccordi istantanei: <ul style="list-style-type: none"> • UNI, BS 336, DSP, STORZ, GOST, NH, SMS, NOR • Maniglia in plastica • Rapporto di espansione 1:60 (Varia con il tipo di schiumogeno) • Esecuzione idonea ad installazione esterna in ambiente marino e funzionamento con acqua mare e soluzioni schiumogene • Pressione di progetto 16 bar • Finitura al naturale | <ul style="list-style-type: none"> • Body branch pipe to be selected among: <ul style="list-style-type: none"> • Stainless steel AISI 316 • Stainless steel AISI 304 • Nozzle body material to be selected among: <ul style="list-style-type: none"> • Bronze EN 1982 – CC491K • Stainless steel AISI 316 • Inlet connection to be selected among: <ul style="list-style-type: none"> • Threaded connection: F.BSP • Quick couplings connection <ul style="list-style-type: none"> • UNI, BS 336, DSP, STORZ, GOST, NH, SMS, NOR • Plastic handle • Expansion ratio 1:60 (May vary depending on the foam concentrate) • Suitable execution for external installation in marine environment and operation with sea water and foam solutions • Design pressure: 16 bar • Natural finishing |

Dimensioni e Pesì

Dimensions and Weights



Ø D1 BSP	Ø D2 mm	L mm	Portata Flow rate l/min – 5 bar	Pressione d'esercizio Working pressure bar	Resa schiuma ⁽¹⁾ Foam production l/min – 5 bar	Gittata Throw m – 5 bar	Peso Weight (kg)
1 1/2"	160	500	100	3 ÷ 8	6000	8	3.5
1 1/2"	235	696	200	3 ÷ 8	12000	11	6.0
1 1/2"	235	696	225	3 ÷ 8	13500	11	6.0
1 1/2"	235	696	250	3 ÷ 8	15000	11	6.0
2"	300	846	400	3 ÷ 8	24000	11	9.0
2"	300	846	450	3 ÷ 8	27000	12	9.0
2"	300	846	500	3 ÷ 8	30000	12	9.5
2 1/2"	300	846	600	3 ÷ 8	36000	12	9.6
2 1/2"	400	1100	800	3 ÷ 8	48000	9	13

Opzioni

- Ciclo di verniciatura diverso dallo Standard SA
- Per ulteriori opzioni o versioni speciali contattare SA Fire Protection

Optional

- Painting system different from Standard SA
- For additional options or special versions contact SA Fire Protection

Nota:

(1) Dipende dal tipo di schiumogeno

Note:

(1) Depending on foam concentrate type

Codice Identificativo
Identification Form

OPZIONI / OPTIONS

Mod. **LSMEP** / / / / / /

① ② ③ ④ ⑤ ⑥ ⑦

Quantità / Quantity

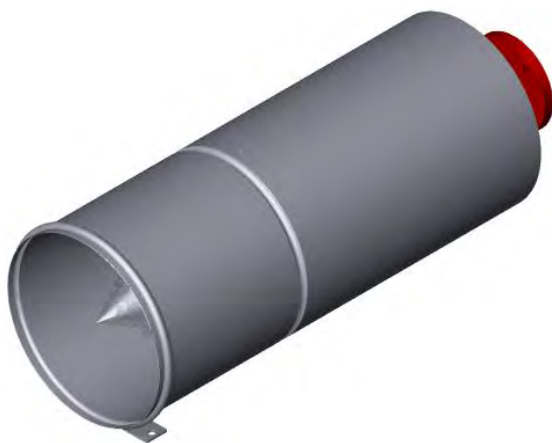
LANCIA SCHIUMA A MEDIA ESPANSIONE PORTATILE LSMEP
MEDIUM EXPANSION PORTABLE FOAM BRANCHPIPE LSMEP

CORPO BODY	①	Tipologia Type	Lancia portatile a media espansione Medium expansion portable branch pipe	LSMEP <input checked="" type="checkbox"/>		
	②	Materiale Material	Acciaio inox AISI 304 Stainless steel AISI 304 Acciaio inox AISI 316 Stainless steel AISI 316	CAI70 <input type="checkbox"/> CAI72 <input type="checkbox"/>	Materiale standard Standard material	
UGELLO NOZZLE	③	Materiale Material	Bronzo EN 1982 – CC491K Bronze EN 1982 – CC491K	CBG10 <input type="checkbox"/>		
			Acciaio inox AISI 316 Stainless steel AISI 316	CAI12 <input type="checkbox"/>	Materiale standard Standard material	
PORTATA FLOW RATE	④	Portata a 5 bar Flow rate at 5 bar	100 l/min	10 <input type="checkbox"/>		
			200 l/min	20 <input type="checkbox"/>		
			225 l/min	22M <input type="checkbox"/>		
			250 l/min	25 <input type="checkbox"/>		
			400 l/min	40 <input type="checkbox"/>		
			450 l/min	45 <input type="checkbox"/>		
			500 l/min	50 <input type="checkbox"/>		
			600 l/min	60 <input type="checkbox"/>		
			800 l/min	80 <input type="checkbox"/>		
			Altro Other	F <input type="checkbox"/>	Specificare in Note la portata Specify in Notes the flow rate	
CONNESSIONE CONNECTION	⑤	Tipologia Type	Filettato BSP Threaded BSP	BSP <input type="checkbox"/>		
			Raccordo istantaneo Quick coupling	RC <input type="checkbox"/>	Specificare in Pos. 6 la tipologia del raccordo richiesto. Specify in Pos. 6 the type required coupling	
RACCORDI ISTANTANEI QUICK COUPLING	⑥	Tipologia Type	UNI Italian	UNI 45 UNI 70	UNI 45 <input type="checkbox"/> UNI 70 <input type="checkbox"/>	
			BS British		BS 336 <input type="checkbox"/>	
			STORZ German	STORZ 52 STORZ 75	STORZ52 <input type="checkbox"/> STORZ75 <input type="checkbox"/>	
			DSP French	DSP 40 DSP 65	DSP40 <input type="checkbox"/> DSP65 <input type="checkbox"/>	
			NH North American	NH 1 1/2" NH 2 1/2"	NH1M <input type="checkbox"/> NH2M <input type="checkbox"/>	

Prosegue alla pagina seguente / Continue to the next page

RACCORDI INSTANTAEI QUICK COUPLING	6	Tipologia Type	GOST Russian		GOST <input type="checkbox"/>	
			SMS Swedish		SMS <input type="checkbox"/>	
			NOR Norwegian	NOR 1 1/2"	NOR1M <input type="checkbox"/>	
				NOR 2 1/2"	NOR2M <input type="checkbox"/>	
OPZIONI OPTIONS	7	Verniciatura Painting	Verniciatura diversa da ciclo SA standard Painting system different for SA standard		C <input type="checkbox"/>	Specificare in Note il ciclo di verniciatura richiesto. Specify in Notes the painting procedure required.
NOTE NOTES						
	CLIENTE / CLIENT:		PROGETTO / PROJECT:		DOC. No.:	REV.:
EMESSO / ISSUED:		CONTROLLATO / CHECKED:		APPROVATO / APPROVED:		
DATA / DATE:		DATA / DATE:		DATA / DATE:		

LANCIA SCHIUMA A MEDIA ESPANSIONE FISSA – LSMEF 100 – 800 lpm
MEDIUM EXPANSION FIXED FOAM BRANCHPIPE – LSMEF



Descrizione



Il Mod. LSMEF è una lancia schiuma fissa a media espansione costruita in acciaio inox e corredata di prese di aspirazione aria. La sua particolare geometria consente all'aria di essere aspirata nel getto iniziando così l'emulsificazione della schiuma prima che questa venga proiettata in aria. La lancia schiuma LSMEF è disponibile con attacco al processo filettato BSP, flangiato ANSI o UNI o qualsiasi tipo di raccordo istantaneo.

Description



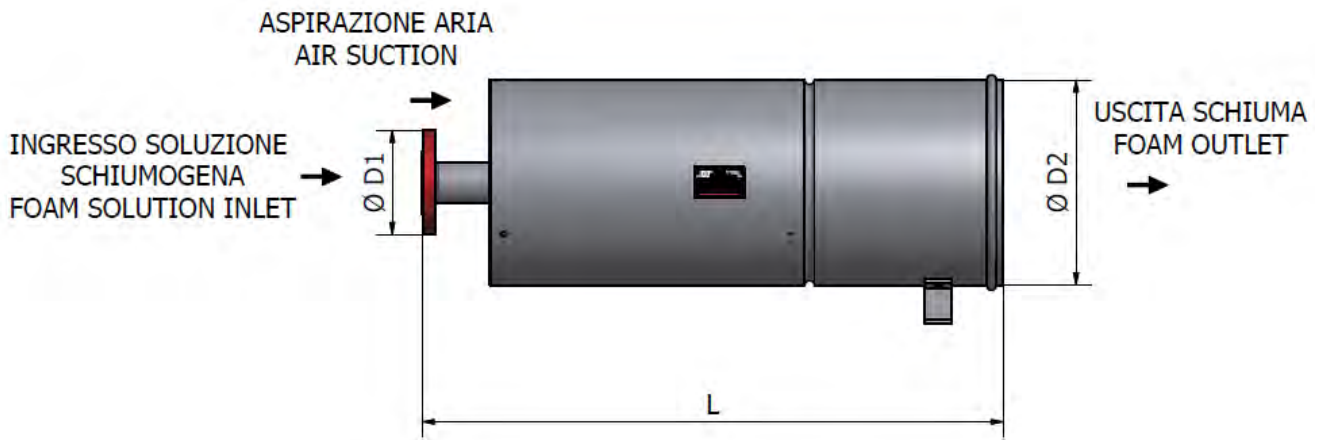
The Mod. LSMEF is a medium expansion fixed foam branchpipe manufactured in stainless steel with provisions for air inducing. The specific geometry allows for air to be introduced into the jet starting the emulsification of the foam before being projected in the air. The LSMEF branchpipe is available with threaded connection BSP, flanged connection ANSI or UNI or any type of instantaneous coupling.

Caratteristiche tecniche

- Materiale lancia a scelta tra:
 - Acciaio inox AISI 316
 - Acciaio inox AISI 304
- Corpo ugello a scelta tra:
 - Bronzo EN 1982 – CC491K
 - Acciaio inox AISI 316
- Attacco ingresso a scelta tra:
 - Attacco flangiato ANSI o UNI in acciaio al carbonio
 - Attacco filettato: F. BSP
 - Attacco con raccordi istantanei:
 - UNI, BS 336, DSP, STORZ, GOST, NH, SMS, NOR
- Supporto di sostegno in acciaio al carbonio
- Rapporto di espansione 1:60 (Varia con il tipo di schiumogeno)
- Esecuzione idonea ad installazione esterna in ambiente marino e funzionamento con acqua mare e soluzioni schiumogene
- Pressione di progetto 16 bar
- Finitura al naturale

Technical characteristics

- Material branch pipe to be selected among:
 - Stainless steel AISI 316
 - Stainless steel AISI 304
- Nozzle body material to be selected among:
 - Bronze EN 1982 – CC491K
 - Stainless steel AISI 316
- Inlet connection to be selected among:
 - Flanged connection ANSI or UNI in carbon steel
 - Threaded connection: F.BSP
 - Quick couplings connection
 - UNI, BS 336, DSP, STORZ, GOST, NH, SMS, NOR
- Support in carbon steel
- Expansion ratio 1:60 (May vary depending on the foam concentrate)
- Suitable execution for external installation in marine environment and operation with sea water and foam solutions
- Design pressure: 16 bar
- Natural finishing



Ø D1	Ø D2 mm	L mm	Portata Flow rate l/min – 5 bar	Pressione d'esercizio Working pressure bar	Resa schiuma ⁽¹⁾ Foam production l/min – 5 bar	Gittata Throw m – 5 bar	Peso Weight (kg)
1 1/2"	160	560	100	3 ÷ 8	6000	8	3.5
1 1/2"	235	696	200	3 ÷ 8	12000	11	6.0
2"	235	696	200	3 ÷ 8	12000	11	6.0
1 1/2"	235	696	225	3 ÷ 8	13500	11	6.0
2"	235	696	225	3 ÷ 8	13500	11	6.0
1 1/2"	235	696	250	3 ÷ 8	15000	11	6.0
2"	235	696	250	3 ÷ 8	15000	11	6.0
2"	300	846	400	3 ÷ 8	24000	12	9.0
2 1/2"	300	846	400	3 ÷ 8	24000	12	9.1
3"	300	846	400	3 ÷ 8	24000	12	9.2
2"	300	846	450	3 ÷ 8	27000	12	9.0
2 1/2"	300	846	450	3 ÷ 8	27000	12	9.1
3"	300	846	450	3 ÷ 8	27000	12	9.2
2"	300	846	500	3 ÷ 8	30000	12	9.5
2 1/2"	300	846	500	3 ÷ 8	30000	12	9.6
3"	300	846	500	3 ÷ 8	30000	12	9.7
2 1/2"	300	846	600	3 ÷ 8	36000	12	9.7
3"	300	846	600	3 ÷ 8	36000	12	9.7
2 1/2"	400	1100	800	3 ÷ 8	48000	9	13
3"	400	1100	800	3 ÷ 8	48000	9	13.1
4"	400	1100	800	3 ÷ 8	48000	9	13.2

Opzioni

- Ciclo di verniciatura diverso dallo Standard SA
- Per ulteriori opzioni o versioni speciali contattare SA Fire Protection

Optional

- Painting system different from Standard SA
- For additional options or special versions contact SA Fire Protection

Nota:

(1) Dipende dal tipo di schiumogeno

Note:

(1) Depending on foam concentrate type

Codice Identificativo
Identification Form

OPZIONI / OPTIONS

Mod. **LSMEF** / / / / / / /

1
2
3
4
5
6
7
8

Quantità / Quantity

LANCIA SCHIUMA A MEDIA ESPANSIONE FISSA LSMEF
MEDIUM EXPANSION FIXED FOAM BRANCHPIPE LSMEF

TIPOLOGIA TYPE	1	Tipologia Type	Lancia portatile Portable branch pipe	LSMEF <input checked="" type="checkbox"/>						
	2	Material Material	Acciaio inox AISI 304 Stainless steel AISI 304	CAI70 <input type="checkbox"/>	Materiale standard Standard material					
			Acciaio inox AISI 316 Stainless steel AISI 316	CAI72 <input type="checkbox"/>						
UGELLO NOZZLE	3	Material Material	Bronzo EN 1982 – CC491K Bronze EN 1982 – CC491K	CBG10 <input type="checkbox"/>						
			Acciaio inox AISI 316 Stainless steel AISI 316	CAI12 <input type="checkbox"/>	Materiale standard Standard material					
PORTATA FLOW RATE	4	Portata a 5 bar Flow rate at 5 bar	100 l/min	200 l/min	225 l/min	10 <input type="checkbox"/>	20 <input type="checkbox"/>	22M <input type="checkbox"/>		
			250 l/min	400 l/min	450 l/min	25 <input type="checkbox"/>	40 <input type="checkbox"/>	45 <input type="checkbox"/>		
			500 l/min	600 l/min	800 l/min	50 <input type="checkbox"/>	60 <input type="checkbox"/>	80 <input type="checkbox"/>		
			Altro Other					F <input type="checkbox"/>	Specificare in Note la portata Specify in Notes the flow rate	
CONNESSIONE CONNECTION	5	Tipologia Type	Filettato BSP Threaded BSP		BSP <input type="checkbox"/>					
			Raccordo istantanei Quick coupling		RC <input type="checkbox"/>	Specificare in Pos. 6 la tipologia del raccordo richiesto. Specify in Pos. 6 the type required coupling				
			Flangia Flange		FL <input type="checkbox"/>	Specificare in Pos. 7 la tipologia della flangia richiesta. Specify in Pos. 7 the type required flange				
RACCORDI ISTANTANEI QUICK COUPLING	6	Tipologia Type	UNI Italian	UNI 45		UNI 45 <input type="checkbox"/>				
				UNI 70		UNI 70 <input type="checkbox"/>				
			BS British			BS 336 <input type="checkbox"/>				
			STORZ German	STORZ 52		STORZ52 <input type="checkbox"/>				
				STORZ 75		STORZ75 <input type="checkbox"/>				
			DSP French	DSP 40		DSP40 <input type="checkbox"/>				
				DSP 65		DSP65 <input type="checkbox"/>				
			NH North American	NH 1 1/2"		NH1M <input type="checkbox"/>				
	NH 2 1/2"		NH2M <input type="checkbox"/>							

Prosegue alla pagina seguente / Continue to the next page

RACCORDI ISTANTAEI QUICK COUPLING	6	Tipologia Type	GOST Russian		GOST <input type="checkbox"/>					
			SMS Swedish		SMS <input type="checkbox"/>					
			NOR Norwegian	NOR 1 1/2"	NOR1M <input type="checkbox"/>					
				NOR 2 1/2"	NOR2M <input type="checkbox"/>					
FLANGIA FLANGE	7	Tipologia Type	ANSI 150lb RF	1 1/2"	RF1M <input type="checkbox"/>	Specificare in Note la tipologia di flangia e dimensione richiesta. Specify in Notes the type of flange requested.				
				2"	RF2 <input type="checkbox"/>					
				2 1/2"	RF2M <input type="checkbox"/>					
				3"	RF3 <input type="checkbox"/>					
				4"	RF4 <input type="checkbox"/>					
			ANSI 150lb FF	1 1/2"	FF1M <input type="checkbox"/>					
				2"	FF2 <input type="checkbox"/>					
				2 1/2"	FF2M <input type="checkbox"/>					
				3"	FF3 <input type="checkbox"/>					
				4"	FF4 <input type="checkbox"/>					
			UNI PN16	1 1/2"	UNI1M <input type="checkbox"/>					
				2"	UNI2 <input type="checkbox"/>					
				2 1/2"	UNI2M <input type="checkbox"/>					
				3"	UNI3 <input type="checkbox"/>					
				4"	UNI4 <input type="checkbox"/>					
			Altro Other		F <input type="checkbox"/>					
			OPZIONI OPTIONS	8	Verniciatura Painting		Verniciatura diversa da ciclo SA standard Painting system different for SA standard		C <input type="checkbox"/>	Specificare in Note il ciclo di verniciatura richiesto. Specify in Notes the painting procedure required.
			NOTE NOTES							

NOTE NOTES	

CLIENTE / CLIENT:	PROGETTO / PROJECT:	DOC. No.:	REV.:
EMESSO / ISSUED:	CONTROLLATO / CHECKED:	APPROVATO / APPROVED:	
DATA / DATE:	DATA / DATE:	DATA / DATE:	

GENERATORE SCHIUMA ALTA ESPANSIONE – GSAE
HIGH EXPANSION FOAM GENERATOR – GSAE



Descrizione



Il Mod. GSAE è generatore schiuma ad alta espansione costruita in acciaio inox e corredata di prese di aspirazione aria. La sua particolare geometria consente all'aria di essere aspirata nel getto iniziando così l'emulsificazione della schiuma prima che questa venga proiettata in aria. La lancia schiuma GSAE è disponibile con attacco al processo filettato BSP, flangiato ANSI o UNI o qualsiasi tipo di raccordo istantaneo.

Description



The Mod. GSAE is a high expansion foam generator manufactured in stainless steel with provisions for air inducing. The specific geometry allows for air to be introduced into the jet starting the emulsification of the foam before being projected in the air. The GSAE branchpipe is available with threaded connection BSP, flanged connection ANSI or UNI or any type of instantaneous coupling.

Caratteristiche tecniche

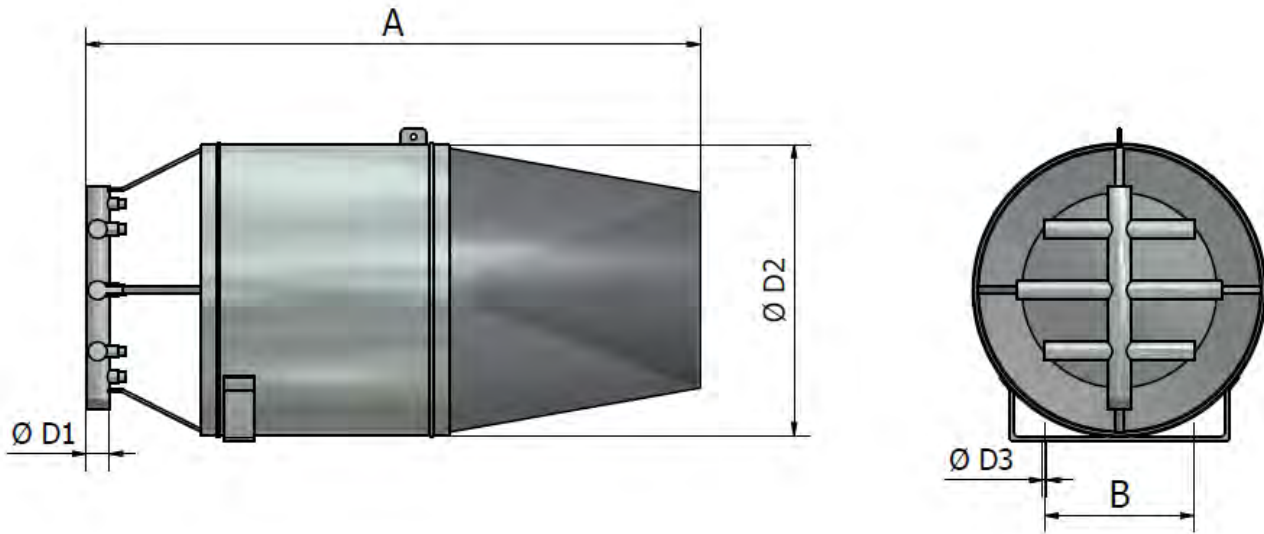
- Corpo a scelta tra:
 - Acciaio inox AISI 316
 - Acciaio inox AISI 304
- Corpo ugello a scelta tra:
 - Bronzo EN 1982 – CC491K
 - Acciaio inox AISI 316
 - Ottone
- Linea di alimentazione a scelta tra:
 - Acciaio al carbonio verniciato rosso RAL 3000
 - Acciaio al carbonio zincato
 - Acciaio inox AISI 304
 - Acciaio inox AISI 316
- Attacco ingresso a scelta tra:
 - Attacco flangiato ANSI o UNI in acciaio al carbonio
 - Attacco filettato: M. BSP
- Esecuzione idonea ad installazione esterna in ambiente marino e funzionamento con acqua mare e soluzioni schiumogene
- Pressione di progetto 16 bar
- Finitura al naturale

Technical characteristics

- Body to be selected among:
 - Stainless steel AISI 316
 - Stainless steel AISI 304
- Nozzle body material to be selected among:
 - Bronze EN 1982 – CC491K
 - Stainless steel AISI 316
 - Brass
- Supply line to be selected among:
 - Carbon steel painting red RAL 3000
 - Galvanized carbon steel
 - Stainless steel AISI 304
 - Stainless steel AISI 316
- Inlet connection to be selected among:
 - Flanged connection ANSI or UNI in carbon steel
 - Threaded connection: M.BSP
- Suitable execution for external installation in marine environment and operation with sea water and foam solutions
- Design pressure: 16 bar
- Natural finishing

Dimensioni e Pesì

Dimensions and Weights



Ø D1	Ø D2 mm	Fori Holes Ø D3 mm	A mm	B mm	Portata Flow rate l/min – 4 bar	Raporto di espansione ⁽¹⁾ Expansion ratio 4 bar	Peso Weight (kg)
2 1/2"	925	13	1955	475	243	816:1	60
2 1/2"	925	13	1955	475	375	820:1	62

Opzioni

- Ciclo di verniciatura diverso dallo Standard SA
- Per ulteriori opzioni o versioni speciali contattare SA Fire Protection

Optional

- Painting system different from Standard SA
- For additional options or special versions contact SA Fire Protection

Nota:

(1) Dipende dal tipo di schiumogeno

Note:

(1) Depending on foam concentrate type

Codice Identificativo
Identification Form

OPZIONI / OPTIONS

Mod. **GSAE** / / / / / /

1
2
3
4
5
6
7

Quantità / Quantity

GENERATORE SCHIUMA ALTA ESPANSIONE GSAE / HIGH EXPANSION FOAM GENERATOR GSAE

TIPOLOGIA TYPE	1	Tipologia Type	Generatore schiuma Foam generator	GSAE <input checked="" type="checkbox"/>	
TIPOLOGIA TYPE	2	Materiale Material	Acciaio inox AISI 304 Stainless steel AISI 304	CAI70 <input type="checkbox"/>	Materiale standard Standard material
			Acciaio inox AISI 316 Stainless steel AISI 316	CAI72 <input type="checkbox"/>	
UGELLO NOZZLE	3	Materiale Material	Bronzo EN 1982 – CC491K Bronze EN 1982 – CC491K	CBG10 <input type="checkbox"/>	
			Acciaio inox AISI 316 Stainless steel AISI 316	CAI22 <input type="checkbox"/>	
			Ottone Brass	COT <input type="checkbox"/>	Materiale standard Standard material
LINEA DI ALIMENTAZIONE SUPPLY LINE	4	Materiale Material	Acciaio al carbonio verniciato Painted carbon steel	CACV <input type="checkbox"/>	Materiale standard Standard material
			Acciaio al carbonio zincato Galvanized carbon steel	CACZ <input type="checkbox"/>	
			Acciaio inox AISI 304 Stainless steel AISI 304	CAI30 <input type="checkbox"/>	
			Acciaio inox AISI 316 Stainless steel AISI 316	CAI32 <input type="checkbox"/>	
PORTATA FLOW RATE	5	Portata a 4 bar Flow rate at 4 bar	243 l/min	24 <input type="checkbox"/>	
			375 l/min	37 <input type="checkbox"/>	
			Altro Other	F <input type="checkbox"/>	Specificare in Note la portata Specify in Notes the flow rate
CONNESSIONE CONNECTION	6	Tipologia Type	Filettato BSP Threaded BSP	BSP <input type="checkbox"/>	Tipologia standard Standard type
			Flangia Flange	FL <input type="checkbox"/>	Specificare in Note la tipologia e dimensione. Specify in Notes type and size.
OPZIONI OPTIONS	7	Verniciatura Painting	Verniciatura diversa da ciclo SA standard Painting system different for SA standard	C <input type="checkbox"/>	Specificare in Note il ciclo di verniciatura richiesto. Specify in Notes the painting procedure required.

NOTE NOTES	

CLIENTE / CLIENT:	PROGETTO / PROJECT:	DOC. No.:	REV.:
EMESSO / ISSUED:	CONTROLLATO / CHECKED:	APPROVATO / APPROVED:	
DATA / DATE:	DATA / DATE:	DATA / DATE:	

I particolari di questo foglio tecnico, sebbene esatti al tempo della pubblicazione, potrebbero essere soggetti a modifiche senza preavviso. - The data shown on this data sheet, although correct at the time of publication, may be varied without notice.

CAMERA SCHIUMA – CS
FOAM CHAMBER – CS



Descrizione



Il Mod. CS è una camera schiuma utilizzata per la protezione dei serbatoi a tetto fisso per scaricare direttamente schiuma al di sopra del liquido combustibile. All'ingresso nella camera schiuma la soluzione schiumogena si espande e viene quindi scaricata nel serbatoio. La camera schiuma Mod. CS è disponibile in acciaio al carbonio e acciaio inox, con flange di ingresso ed uscita ANSI o UNI.

Description



The Mod. CS is a foam chamber used for the protection of fixed cone tanks to discharge foam directly onto the combustible liquid. Upon entering the foam chamber the foam solution is expanded, and then discharged into the tank. The foam chamber Mod. CS is available in carbon steel and stainless steel, with inlet and outlet flanges ANSI or UNI.

Caratteristiche tecniche

- Corpo a scelta tra:
 - Acciaio al carbonio
 - Acciaio inox AISI 304
 - Acciaio inox AISI 316
- Corpo orifizio calibrato in acciaio inox AISI 316
- Diaframma di rottura in vetro
- Rete di protezione in acciaio inox
- Flange ingresso/uscita ANSI o UNI
- Esecuzione idonea ad installazione esterna in ambiente marino e funzionamento con acqua mare e soluzioni schiumogene
- Pressione di progetto 12 bar
- Pressione di collaudo 18 bar

Ciclo verniciatura standard SA:

- Pulizia manuale con solvente
- Primer epossidico 60 µm
- Intermedio epossidico 30 µm
- Finitura poliuretanico 30 µm
- Spessore totale film secco 120 µm +/-10%
- Colore rosso RAL 3000

Technical characteristics

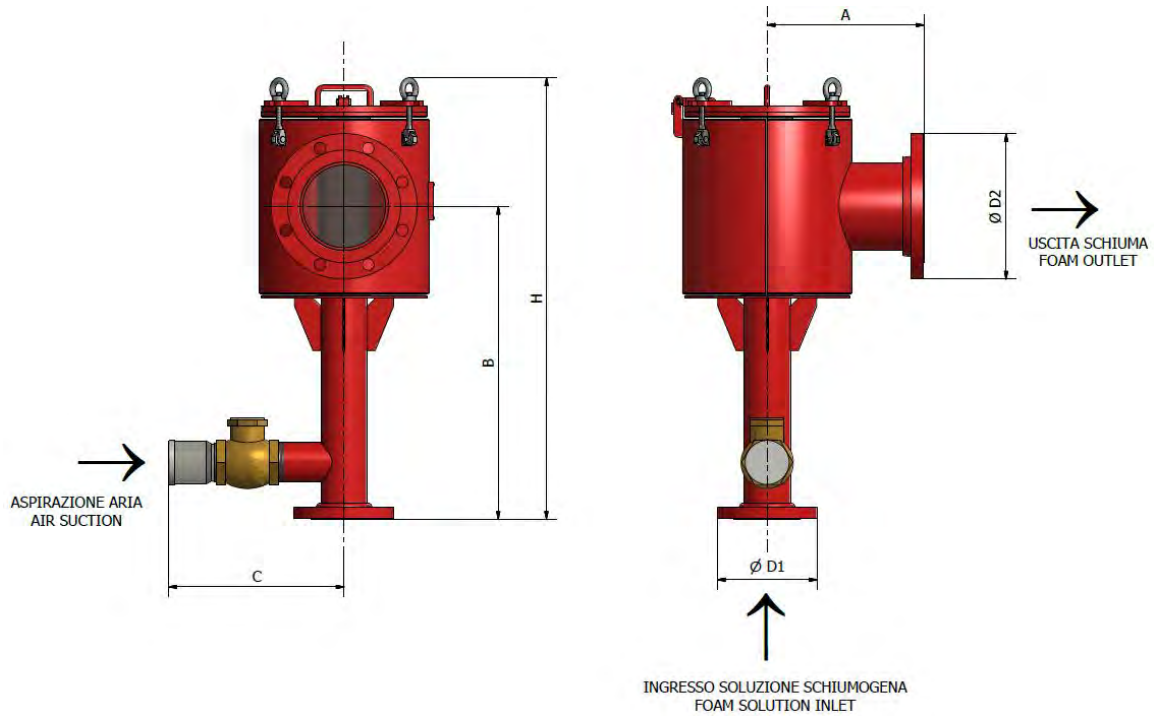
- Body to be selected among:
 - Carbon steel
 - Stainless steel AISI 304
 - Stainless steel AISI 316
- Orifice plate body in stainless steel AISI 316
- Glass rupture disc
- Stainless steel protection net
- Inlet/outlet flanges ANSI or UNI
- Suitable execution for external installation in marine environment and operation with sea water and foam solutions
- Design pressure: 12 bar
- Test pressure: 18 bar

Painting system standard SA:

- Manual cleaning solvent
- Epoxy primer 60 µm
- Epoxy Intermediate 30 µm
- Polyurethane finish 30 µm
- Total thickness 120 µm dry film +/-10%
- Colour red RAL 3000

Dimensioni e Pesì

Dimensions and Weights



Ø D1	Ø D2	A mm	B mm	C mm	H mm	Pressione esercizio Working pressure bar	Portata Flow rate l/min – 5 bar	Resa schiuma ⁽¹⁾ Foam production l/min – 5 bar	Peso Weight (kg)
2"	3"	200	500	255	696	3 ÷ 12	200	1500	32
2"	4"	200	500	255	696	3 ÷ 12	400	3000	35
3"	6"	300	600	355	847	3 ÷ 12	800	6000	55
4"	8"	300	645	355	892	3 ÷ 12	1200	8400	87
4"	6"	300	645	355	892	3 ÷ 12	1500	11000	65
4"	8"	300	645	355	892	3 ÷ 12	1500	11000	87
4"	8"	400	855	355	1153	3 ÷ 12	2000	14000	87
4"	10"	400	855	360	1153	3 ÷ 12	2000	14000	101
6"	10"	400	855	436	1153	3 ÷ 12	2000	14000	114

Opzioni

- Ciclo di verniciatura diverso dallo Standard SA
- Per ulteriori opzioni o versioni speciali contattare SA Fire Protection

Optional

- Painting system different from Standard SA
- For additional options or special versions contact SA Fire Protection

Nota:

(1) Dipende dal tipo di schiumogeno

Note:

(1) Depending on foam concentrate type

Codice Identificativo
Identification Form

OPZIONI / OPTIONS

Mod. **CS** / / / / /

1
2
3
4
5
6

Quantità / Quantity

CAMERA SCHIUMA CS / FOAM CHAMBER CS

TIPOLOGIA TYPE		PORTATA FLOW RATE		FLANGIA FLANGE		OPZIONI OPTIONS	
1	Tipologia Type	Camera schiuma Foam chamber		CS <input checked="" type="checkbox"/>			
	2	Materiale Material	Acciaio al carbonio Carbon steel		CAC30 <input type="checkbox"/>		Materiale standard Standard material
			Acciaio inox AISI 304 Stainless steel AISI 304		CAI30 <input type="checkbox"/>		
		Acciaio inox AISI 316 Stainless steel AISI 316		CAI32 <input type="checkbox"/>			
3	Portata a 5 bar Flow rate at 5 bar	200 l/min	400 l/min	800 l/min	20 <input type="checkbox"/>	40 <input type="checkbox"/>	80 <input type="checkbox"/>
		1200 l/min	1500 l/min	2000 l/min	120 <input type="checkbox"/>	150 <input type="checkbox"/>	200 <input type="checkbox"/>
		Altro Other				F <input type="checkbox"/>	
4	Tipologia Type	ANSI 150lb RF		150RF <input type="checkbox"/>		Tipologia standard Standard type	
		ANSI 150lb FF		150FF <input type="checkbox"/>			
		UNI PN16		UNI <input type="checkbox"/>			
		Altro Other		F <input type="checkbox"/>		Specificare in Note la tipologia di flangia richiesta. Specify in Notes the type of flange requested.	
5	Dimensione Size	Ingresso 2" x Uscita 3" Inlet 2" x Outlet 3"		2X3 <input type="checkbox"/>			
		Ingresso 2" x Uscita 4" Inlet 2" x Outlet 4"		2X4 <input type="checkbox"/>			
		Ingresso 3" x Uscita 6" Inlet 3" x Outlet 6"		3X6 <input type="checkbox"/>			
		Ingresso 4" x Uscita 6" Inlet 4" x Outlet 6"		4X6 <input type="checkbox"/>			
		Ingresso 4" x Uscita 8" Inlet 4" x Outlet 8"		4X8 <input type="checkbox"/>			
		Ingresso 4" x Uscita 10" Inlet 4" x Outlet 10"		4X10 <input type="checkbox"/>			
		Ingresso 6" x Uscita 10" Inlet 6" x Outlet 10"		6X10 <input type="checkbox"/>			
Altro Other		D <input type="checkbox"/>		Specificare in Note la dimensione ingresso/uscita flangia richiesta. Specify in Notes the inlet/outlet size of flange requested.			
6	Verniciatura Painting	Verniciatura diversa da ciclo SA standard Painting system different for SA standard		C <input type="checkbox"/>		Specificare in Note il ciclo di verniciatura richiesto. Specify in Notes the painting procedure required.	

NOTE NOTES	

CLIENTE / CLIENT:	PROGETTO / PROJECT:	DOC. No.:	REV. :
EMESSO / ISSUED:	CONTROLLATO / CHECKED:	APPROVATO / APPROVED:	
DATA / DATE:	DATA / DATE:	DATA / DATE:	

VALVOLA DEVIATRICE PER PROVA IMPIANTI SCHIUMA SU SERBATOIO – VDP
FOAM TEST VALVE FOR FOAM EQUIPMENT ON TANKS – VDP



Descrizione

Il Mod. VDP è una valvola deviatrice utilizzata per agevolare le prove degli impianti a schiuma come ad esempio quelli posti a protezione dei serbatoi a tetto fisso o tetto galleggiante. Il dispositivo consente di deviare il flusso di schiuma evitando di inondare il serbatoio o l'area di processo protetta. All'interno della valvola un otturatore mobile devia, per la durata della prova, il flusso di schiuma ad una uscita laterale impedendogli di raggiungere la camera schiuma o il versatore. La valvola deviatrice può essere flangiata 3", 4" o 6" UNI o ANSI. La valvola è disponibile in ottone, materiale idoneo per impiego di acqua industriale, acqua di mare e liquido schiumogeni concentrati.



Description



The Mod. VDP is a deviator valve used to facilitate the testing of foam systems like those protecting the fixed or floating roof tank. The device prevents the foam flow from being discharged on the tank or within the protected area. Inside this testing valve, a movable shutter diverts, for duration of the test, the flow of the foam solution to a lateral outlet, preventing the foam solution to reach the foam chambers or pourers. The deviator valve can be flanged 3", 4" or 6" UNI or ANSI. The Mod. VDP is available in brass material, suitable for industrial water, sea water and foam concentrate using.

Caratteristiche tecniche

- Corpo valvola in ottone
- Leva di manovra in acciaio al carbonio
- Flange ingresso/uscita ANSI o UNI a scelta tra:
 - Acciaio al carbonio ASTM A 105
 - Acciaio inox AISI 304
 - Acciaio inox AISI 316
- Attacco uscita di test a scelta tra:
 - UNI 70
 - BS 336
 - STORZ 75
 - DSP 65
 - NH 2.1/2"
 - GOST 70
 - SMS
 - NOR 2.1/2"
- Esecuzione idonea ad installazione esterna in ambiente marino e funzionamento con acqua mare e soluzioni schiumogene
- Pressione di progetto 12 bar
- Pressione di collaudo 18 bar

Ciclo verniciatura standard SA:

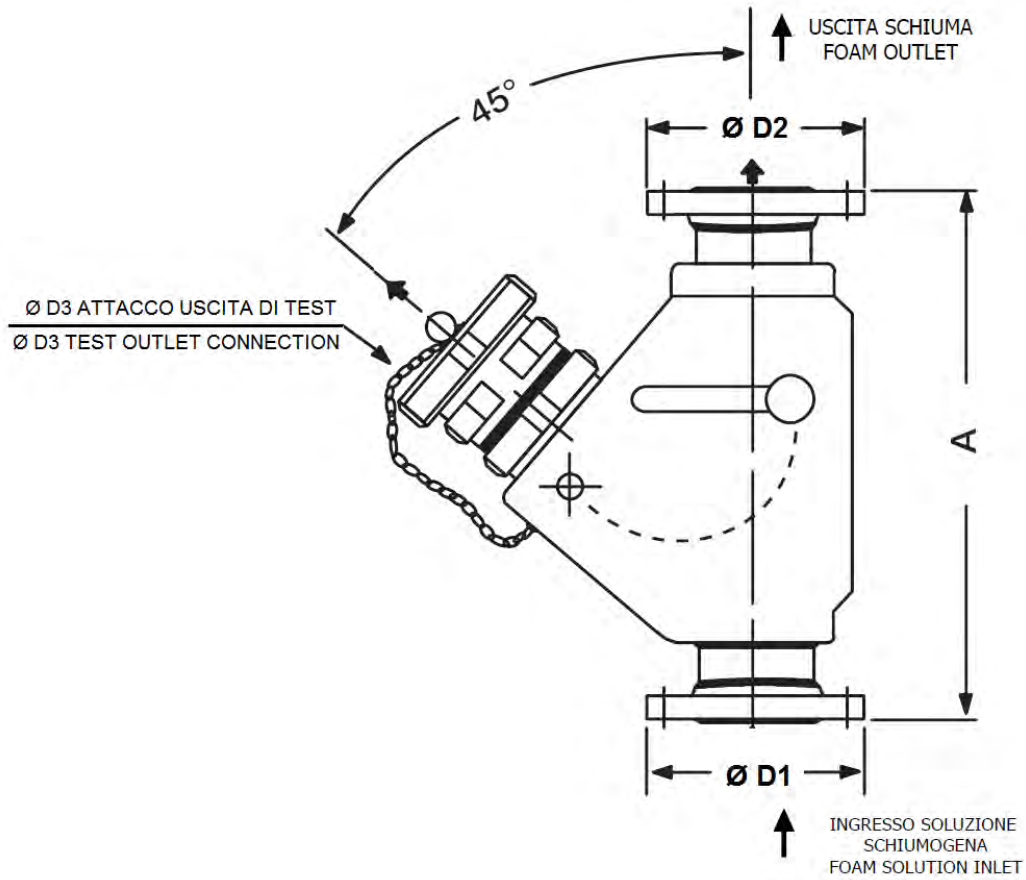
- Pulizia manuale con solvente
- Primer epossidico 60 µm
- Intermedio epossidico 30 µm
- Finitura poliuretano 30 µm
- Spessore totale film secco 120 µm +/-10%
- Colore rosso RAL 3000

Technical characteristics

- Body valve material in brass
- Carbon steel operated lever
- Inlet/outlet flanges ANSI or UNI to be selected in:
 - Carbon steel ASTM A 105
 - Stainless steel AISI 304
 - Stainless steel AISI 316
- Test outlet connection to be selected among:
 - UNI 70
 - BS 336
 - STORZ 75
 - DSP 65
 - NH 2.1/2"
 - GOST 70
 - SMS
 - NOR 2.1/2"
- Suitable execution for external installation in marine environment and operation with sea water and foam solutions
- Design pressure: 12 bar
- Test pressure: 18 bar

Painting system standard SA:

- Manual cleaning solvent
- Epoxy primer 60 µm
- Epoxy Intermediate 30 µm
- Polyurethane finish 30 µm
- Total thickness 120 µm dry film +/-10%
- Colour red RAL 3000



Ø D1	Ø D2	Ø D3	A mm	Peso Weight (kg)
3"	3"	UNI 70	380	20
4"	4"	UNI 70	380	25
6"	6"	UNI 70	380	30

Opzioni

- Ciclo di verniciatura diverso dallo Standard SA
- Per ulteriori opzioni o versioni speciali contattare SA Fire Protection

Optional

- Painting system different from Standard SA
- For additional options or special versions contact SA Fire Protection

Codice Identificativo
Identification Form

OPZIONI / OPTIONS

Mod.

/
 /
 /

1

2

3

4

5

6

7

Quantità / Quantity

Valvola deviatrice per prova impianti schiuma su serbatoi / Foam test valve for foam equipment on tanks

TIPOLOGIA TYPE	1	Tipologia Type	Valvola deviatrice Foam test valve	VDP <input checked="" type="checkbox"/>	
	2	Materiale Material	Ottone Brass	COT <input checked="" type="checkbox"/>	
FLANGIA FLANGE	3	Materiale Material	Acciaio al carbonio Carbon steel	FAC20 <input type="checkbox"/>	Materiale standard Standard material
			Acciaio inox AISI 304 Stainless steel AISI 304	FAI20 <input type="checkbox"/>	
			Acciaio inox AISI 316 Stainless steel AISI 316	FAI22 <input type="checkbox"/>	
			Altro Other	CD <input type="checkbox"/>	Specificare in Note il materiale richiesto. Specify in Notes the material requested.
	4	Tipologia Type	ANSI 150lb RF	150RF <input type="checkbox"/>	Tipologia standard Standard type
			ANSI 150lb FF	150FF <input type="checkbox"/>	
			UNI PN16	UNI <input type="checkbox"/>	
			Altro Other	F <input type="checkbox"/>	Specificare in Note la tipologia di flangia richiesta. Specify in Notes the type of flange requested.
	5	Dimensione Size	Ingresso 3" x Uscita 3" Inlet 3" x Outlet 3"	3X3 <input type="checkbox"/>	
			Ingresso 4" x Uscita 4" Inlet 4" x Outlet 4"	4X4 <input type="checkbox"/>	
			Ingresso 6" x Uscita 6" Inlet 6" x Outlet 6"	6X6 <input type="checkbox"/>	
			Altro Other	D <input type="checkbox"/>	Specificare in Note la dimensione ingresso/uscita flangia richiesta. Specify in Notes the inlet/outlet size of flange requested.
USCITA DI TEST TEST OULET	6	Tipologia Type	UNI 70 Italian	UNI70 <input type="checkbox"/>	Tipologia standard Standard type
			BS 2.1/2" British	BS 336 <input type="checkbox"/>	
			STORZ 75 German	STORZ75 <input type="checkbox"/>	
			DSP 65 French	DSP65 <input type="checkbox"/>	
			NH 2.1/2" North American	NH2M <input type="checkbox"/>	
			GOST 2.1/2" Russian	GOST2M <input type="checkbox"/>	
			SMS Swedish	SMS <input type="checkbox"/>	
			NOR 2.1/2" Norwegian	NOR2M <input type="checkbox"/>	
OPZIONI OPTIONS	7	Verniciatura Painting	Verniciatura diversa da ciclo SA standard Painting system different for SA standard	C <input type="checkbox"/>	Specificare in Note il ciclo di verniciatura richiesto. Specify in Notes the painting procedure required.

NOTE NOTES	

CLIENTE / CLIENT:	PROGETTO / PROJECT:	DOC. No.:	REV. :
EMESSO / ISSUED:	CONTROLLATO / CHECKED:	APPROVATO / APPROVED:	
DATA / DATE:	DATA / DATE:	DATA / DATE:	

VERSATORE SCHIUMA – VS
FOAM POURER– VS



Descrizione



Il Mod. VS è un versatore schiuma utilizzato per scaricare schiuma al di sopra del liquido combustibile. La camera schiuma Mod. VS è disponibile in acciaio al carbonio e acciaio inox, con flange di ingresso ed uscita ANSI o UNI.

Description



The Mod. VS is a foam pourer used to deliver foam onto the combustible liquid. The foam pourer Mod. VS is available in carbon steel and stainless steel, with inlet and outlet flanges ANSI or UNI.

Caratteristiche tecniche

- Corpo a scelta tra:
 - Acciaio al carbonio
 - Acciaio inox AISI 304
 - Acciaio inox AISI 316
- Rete di protezione in acciaio inox
- Flange ingresso/uscita ANSI o UNI
- Esecuzione idonea ad installazione esterna in ambiente marino e funzionamento con acqua mare e soluzioni schiumogene
- Pressione di progetto 16 bar

Ciclo verniciatura standard SA:

- Pulizia manuale con solvente
- Primer epossidico 60 µm
- Intermedio epossidico 30 µm
- Finitura poliuretano 30 µm
- Spessore totale film secco 120 µm +/-10%
- Colore rosso RAL 3000

Technical characteristics

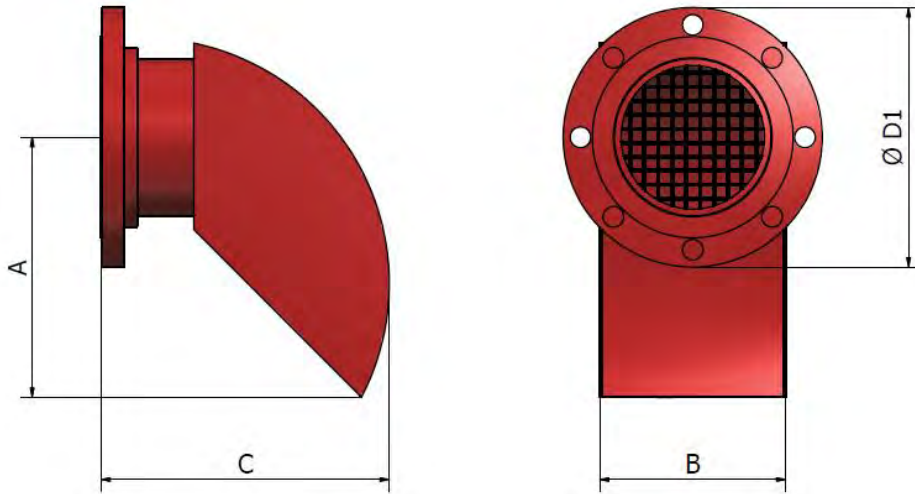
- Body to be selected among:
 - Carbon steel
 - Stainless steel AISI 304
 - Stainless steel AISI 316
- Stainless steel protection net
- Inlet/outlet flanges ANSI or UNI
- Suitable execution for external installation in marine environment and operation with sea water and foam solutions
- Design pressure: 16 bar

Painting system standard SA:

- Manual cleaning solvent
- Epoxy primer 60 µm
- Epoxy Intermediate 30 µm
- Polyurethane finish 30 µm
- Total thickness 120 µm dry film +/-10%
- Colour red RAL 3000

Dimensioni e Pesì

Dimensions and Weights



Ø D1		A mm		B mm	C mm		Pressione esercizio Working pressure bar	Peso Weight (kg)
ANSI	UNI/DIN	ANSI	UNI/DIN		ANSI	UNI/DIN		
3"	3"	231	231	155	280	260	3 + 16	7
4"	4"	231	231	155	286	262	3 + 16	9
5"	5"	231	231	155	299	265	3 + 16	10
6"	6"	316	231	240	384	350	3 + 16	15
8"	8"	316	316	240	397	357	3 + 16	19
10"	10"	426	426	350	507	473	3 + 16	29
12"	12"	426	350	350	519	473	3 + 16	33

Opzioni

- Ciclo di verniciatura diverso dallo Standard SA
- Per ulteriori opzioni o versioni speciali contattare SA Fire Protection

Optional

- Painting system different from Standard SA
- For additional options or special versions contact SA Fire Protection

Codice Identificativo
Identification Form

OPZIONI / OPTIONS

Mod.

/ /

Quantità / Quantity

VERSATORE SCHIUMA VS / FOAM POURER VS					
TIPOLOGIA TYPE	1	Tipologia Type	Versatore schiuma Foam pourer	VS <input checked="" type="checkbox"/>	
	2	Materiale Material	Acciaio al carbonio Carbon steel	CAC30 <input type="checkbox"/>	Materiale standard Standard material
			Acciaio inox AISI 304 Stainless steel AISI 304	CAI30 <input type="checkbox"/>	
			Acciaio inox AISI 316 Stainless steel AISI 316	CAI32 <input type="checkbox"/>	
FLANGIA FLANGE	3	Tipologia Type	ANSI 150lb RF	150RF <input type="checkbox"/>	Tipologia standard Standard type
			ANSI 150lb FF	150FF <input type="checkbox"/>	
			UNI PN16	UNI <input type="checkbox"/>	
			Altro Other	F <input type="checkbox"/>	Specificare in Note la tipologia di flangia richiesta. Specify in Notes the type of flange requested.
	4	Dimensione Size	3"	3 <input type="checkbox"/>	
			4"	4 <input type="checkbox"/>	
			5"	5 <input type="checkbox"/>	
			6"	6 <input type="checkbox"/>	
			8"	8 <input type="checkbox"/>	
			10"	10 <input type="checkbox"/>	
12"			12 <input type="checkbox"/>		
		Altro Other	D <input type="checkbox"/>	Specificare in Note la dimensione flangia richiesta. Specify in Notes the size of flange requested.	
OPZIONI OPTIONS	5	Verniciatura Painting	Verniciatura diversa da ciclo SA standard Painting system different for SA standard	C <input type="checkbox"/>	Specificare in Note il ciclo di verniciatura richiesto. Specify in Notes the painting procedure required.
Z O F					

VERSATORE SCHIUMA – VSL
FOAM POURER– VSL



Descrizione



Il Mod. VSL è un versatore schiuma utilizzato per scaricare schiuma al di sopra del liquido combustibile, indirizzando il flusso verso la parete interna del serbatoio. La camera schiuma Mod. VSL è disponibile in acciaio al carbonio e acciaio inox, con flange di ingresso ed uscita ANSI o UNI.

Description



The Mod. VSL is a foam pourer used to deliver foam onto the combustible liquid, aiming the flow at the internal wall of the tank. The foam pourer Mod. VSL is available in carbon steel and stainless steel, with inlet and outlet flanges ANSI or UNI.

Caratteristiche tecniche

- Corpo a scelta tra:
 - Acciaio al carbonio
 - Acciaio inox AISI 304
 - Acciaio inox AISI 316
- Rete di protezione in acciaio inox
- Flange ingresso/uscita ANSI o UNI
- Esecuzione idonea ad installazione esterna in ambiente marino e funzionamento con acqua mare e soluzioni schiumogene
- Pressione di progetto 16 bar

Ciclo verniciatura standard SA:

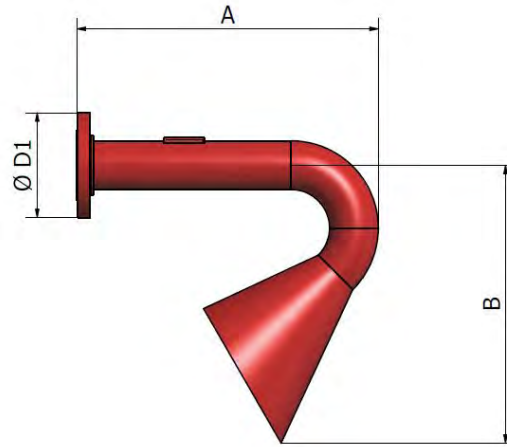
- Pulizia manuale con solvente
- Primer epossidico 60 µm
- Intermedio epossidico 30 µm
- Finitura poliuretano 30 µm
- Spessore totale film secco 120 µm +/-10%
- Colore rosso RAL 3000

Technical characteristics

- Body to be selected among:
 - Carbon steel
 - Stainless steel AISI 304
 - Stainless steel AISI 316
- Stainless steel protection net
- Inlet/outlet flanges ANSI or UNI
- Suitable execution for external installation in marine environment and operation with sea water and foam solutions
- Design pressure: 16 bar

Painting system standard SA:

- Manual cleaning solvent
- Epoxy primer 60 µm
- Epoxy Intermediate 30 µm
- Polyurethane finish 30 µm
- Total thickness 120 µm dry film +/-10%
- Colour red RAL 3000



Ø D1		A mm		B mm	Pressione esercizio Working pressure bar	Peso Weight (kg)
ANSI	UNI/DIN	ANSI	UNI/DIN			
3"	3"	560	560	505	3 ÷ 16	18.0
4"	4"	610	610	650	3 ÷ 16	22.5
6"	6"	662	577	770	3 ÷ 16	29.5

Opzioni

- Ciclo di verniciatura diverso dallo Standard SA
- Per ulteriori opzioni o versioni speciali contattare SA Fire Protection

Optional

- Painting system different from Standard SA
- For additional options or special versions contact SA Fire Protection

Codice Identificativo
Identification Form

OPZIONI / OPTIONS

Mod.

/ /

1

2

3

4

5

Quantità / Quantity

VERSATORE SCHIUMA VSL / FOAM POURER VSL

VERSATORE SCHIUMA VSL / FOAM POURER VSL					
TIPOLOGIA TYPE	1	Tipologia Type	Versatore schiuma Foam pourer	VSL <input checked="" type="checkbox"/>	
	2	Materiale Material	Acciaio al carbonio Carbon steel	CAC30 <input type="checkbox"/>	Materiale standard Standard material
			Acciaio inox AISI 304 Stainless steel AISI 304	CAI30 <input type="checkbox"/>	
			Acciaio inox AISI 316 Stainless steel AISI 316	CAI32 <input type="checkbox"/>	
FLANGIA FLANGE	3	Tipologia Type	ANSI 150lb RF	150RF <input type="checkbox"/>	Tipologia standard Standard type
			ANSI 150lb FF	150FF <input type="checkbox"/>	
			UNI PN16	UNI <input type="checkbox"/>	
			Altro Other	F <input type="checkbox"/>	Specificare in Note la tipologia di flangia richiesta. Specify in Notes the type of flange requested.
	4	Dimensione Size	3"	3 <input type="checkbox"/>	
			4"	4 <input type="checkbox"/>	
			6"	6 <input type="checkbox"/>	
			Altro Other	D <input type="checkbox"/>	Specificare in Note la dimensione langia richiesta. Specify in Notes the size of flange requested.
OPZIONI OPTIONS	5	Verniciatura Painting	Verniciatura diversa da ciclo SA standard Painting system different for SA standard	C <input type="checkbox"/>	Specificare in Note il ciclo di verniciatura richiesto. Specify in Notes the painting procedure required.

NOTE NOTES	

CLIENTE / CLIENT:	PROGETTO / PROJECT:	DOC. No.:	REV.:
EMESSO / ISSUED:	CONTROLLATO / CHECKED:	APPROVATO / APPROVED:	
DATA / DATE:	DATA / DATE:	DATA / DATE:	

GENERATORE SCHIUMA RIM SEAL – GSRS
RIM SEAL FOAM MAKER – GSRS



Descrizione



Il Mod. GSRS è una lancia schiuma utilizzata per la protezione della zona delle tenute nei serbatoi a tetto galleggiante. Il dispositivo è composto da una lancia e da un versatore integrato che viene installato sulla parte terminale della virola del serbatoio. La particolare geometria del versatore oltre che consentire una perfetta formazione della schiuma funge anche da schermo con protezione antivento. Il Mod. GSRS è disponibile in acciaio al carbonio e acciaio inox, con connessione d'ingresso flangiata ANSI o UNI oppure filettata maschio BSP.

Description



Mod. GSRS is a foam maker and pourer used for the protection of the seal area in floating roof tanks. Mod. GSRS is made of a foam maker and a foam pourer coupled together to form a single device which is installed on the upper part of the tank shell overlooking the seal area. The specific design of the pourer allow for a perfect formation of foam as well as protecting it from the wind effect. Mod. GSRS is available in carbon steel and stainless steel, with connection inlet flanges ANSI or UNI, or threaded male BSP.

Caratteristiche tecniche

- Corpo a scelta tra:
 - Acciaio al carbonio
 - Acciaio inox AISI 304
 - Acciaio inox AISI 316
- Rete di protezione in acciaio inox
- Attacco mediante:
 - Attacco flangiato ANSI o UNI
 - Attacco filettato BSP
- Esecuzione idonea ad installazione esterna in ambiente marino e funzionamento con acqua di mare e soluzioni schiumogene a bassa espansione
- Pressione di esercizio 3 ÷ 10 bar
- Pressione di progetto 16 bar

Ciclo verniciatura standard SA:

- Pulizia manuale con solvente
- Primer epossidico 60 µm
- Intermedio epossidico 30 µm
- Finitura poliuretano 30 µm
- Spessore totale film secco 120 µm +/-10%
- Colore rosso RAL 3000

Technical characteristics

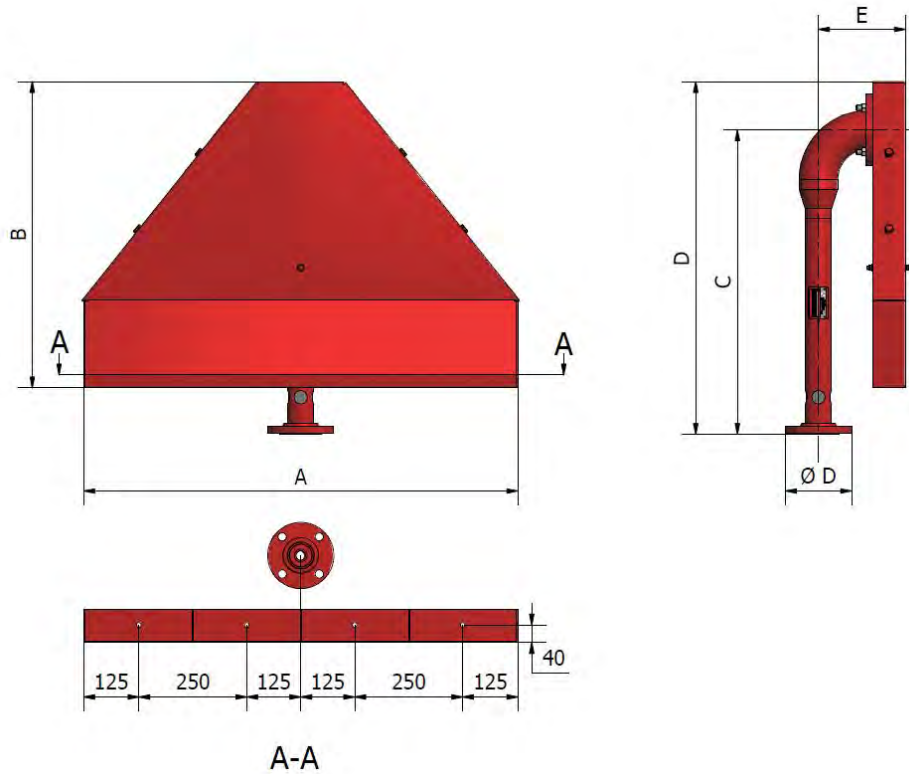
- Body to be selected among:
 - Carbon steel
 - Stainless steel AISI 304
 - Stainless steel AISI 316
- Stainless steel protection net
- Connection:
 - Flange connection ANSI or UNI
 - Threaded connection BSP
- Suitable execution for external installation in marine environment and operation with sea water and low expansion foam solutions
- Working pressure 3 ÷ 10 bar
- Design pressure: 16 bar

Painting system standard SA:

- Manual cleaning solvent
- Epoxy primer 60 µm
- Epoxy Intermediate 30 µm
- Polyurethane finish 30 µm
- Total thickness 120 µm dry film +/-10%
- Colour red RAL 3000

Dimensioni e Pesì

Dimensions and Weights



A-A

ØD	A mm	B mm	C mm	D mm	E mm	Portata Massima (l/min a 5 bar) Max. Flow rate (lpm at 5 bar)															Peso Weight (kg)					
						50	75	100	125	150	175	200	225	250	275	300	325	350	375	400		425	450	475	500	
2"	1000	704	700	809	200	✓	✓	✓	✓	✓	✓	✓	✗	✗	✗	✗	✗	✗	✗	✗	✗	✗	✗	✗	✗	40,5
2.1/2"	1000	704	700	809	200	✓	✓	✓	✓	✓	✓	✓	✓	✓	✓	✗	✗	✗	✗	✗	✗	✗	✗	✗	✗	43,5
3"	1000	704	700	809	200	✗	✗	✗	✗	✗	✗	✗	✓	✓	✓	✓	✓	✓	✓	✓	✓	✓	✓	✓	✓	46,0

Opzioni

- Ciclo di verniciatura diverso dallo Standard SA
- Per ulteriori opzioni o versioni speciali contattare SA Fire Protection

Optional

- Painting system different from Standard SA
- For additional options or special versions contact SA Fire Protection

Codice Identificativo
Identification Form

OPZIONI / OPTIONS

Mod.

/ /

1

2

3

4

5

6

Quantità / Quantity

LANCIA SCHIUMA E VERSATORE RIM SEAL / RIM SEAL FOAM MAKER AND POURER

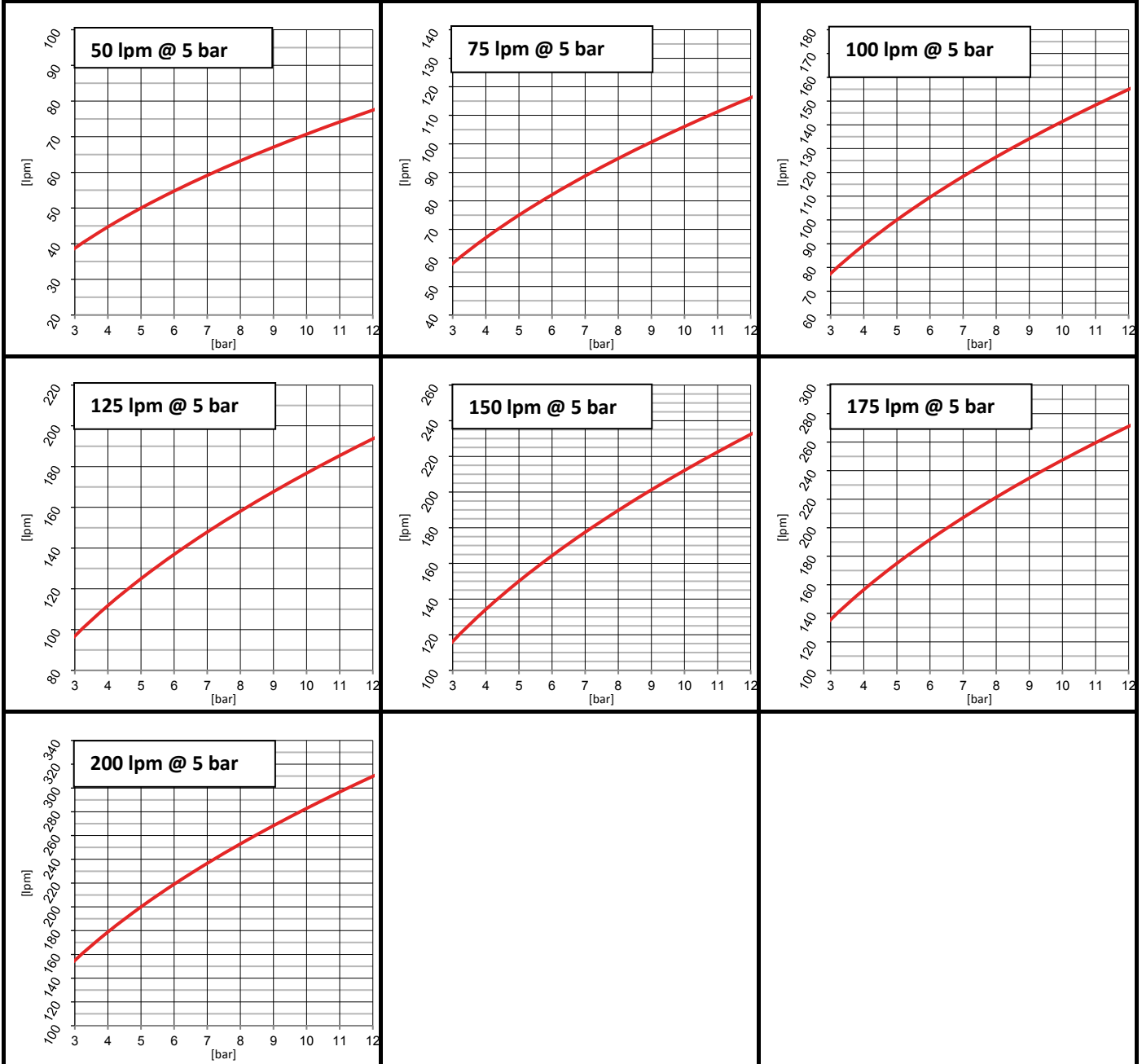
TIPOLOGIA TYPE	1	Tipologia Type	Lancia schiuma e versatore rim seal Rim seal Foam maker and pourer	GSRS <input checked="" type="checkbox"/>					
	2	Materiale Material	Acciaio al carbonio Carbon steel	CAC30 <input type="checkbox"/>	Materiale standard Standard material				
			Acciaio inox AISI 304 Stainless steel AISI 304	CAI30 <input type="checkbox"/>					
Acciaio inox AISI 316 Stainless steel AISI 316			CAI32 <input type="checkbox"/>						
ATTACCO CONNECTION	3	Dimensione Size	2"	2 <input type="checkbox"/>					
			2.1/2"	2M <input type="checkbox"/>					
			3"	3 <input type="checkbox"/>					
			Altro Other	D <input type="checkbox"/>	Specificare in Note la dimensione langia richiesta. Specify in Notes the size of flange requested.				
	4	Tipologia Type	Filettato BSP BSP threaded	BSP <input type="checkbox"/>					
			ANSI 150lb RF	150RF <input type="checkbox"/>	Tipologia standard Standard type				
			ANSI 150lb FF	150FF <input type="checkbox"/>					
			UNI PN16	UNI <input type="checkbox"/>					
			Altro Other	F <input type="checkbox"/>	Specificare in Note la tipologia di flangia richiesta. Specify in Notes the type of flange requested.				
	PORTATA FLOW RATE	5	Portata a 5 bar Flow rate at 5 bar	50 l/min	75 l/min	100 l/min	50 <input type="checkbox"/>	75 <input type="checkbox"/>	100 <input type="checkbox"/>
125 l/min				150 l/min	175 l/min	125 <input type="checkbox"/>	150 <input type="checkbox"/>	175 <input type="checkbox"/>	
200 l/min				225 l/min	250 l/min	200 <input type="checkbox"/>	225 <input type="checkbox"/>	250 <input type="checkbox"/>	
275 l/min				300 l/min	325 l/min	275 <input type="checkbox"/>	300 <input type="checkbox"/>	325 <input type="checkbox"/>	
350 l/min				375 l/min	400 l/min	350 <input type="checkbox"/>	375 <input type="checkbox"/>	400 <input type="checkbox"/>	
425 l/min				450 l/min	475 l/min	425 <input type="checkbox"/>	450 <input type="checkbox"/>	475 <input type="checkbox"/>	
500 l/min								500 <input type="checkbox"/>	
Altro Other								F <input type="checkbox"/>	Specificare in Note la portata Specify in Notes the flow rate
OPZIONI OPTIONS	6	Verniciatura Painting	Verniciatura diversa da ciclo SA standard Painting system different for SA standard	C <input type="checkbox"/>	Specificare in Note il ciclo di verniciatura richiesto. Specify in Notes the painting procedure required.				

NOTE NOTES	

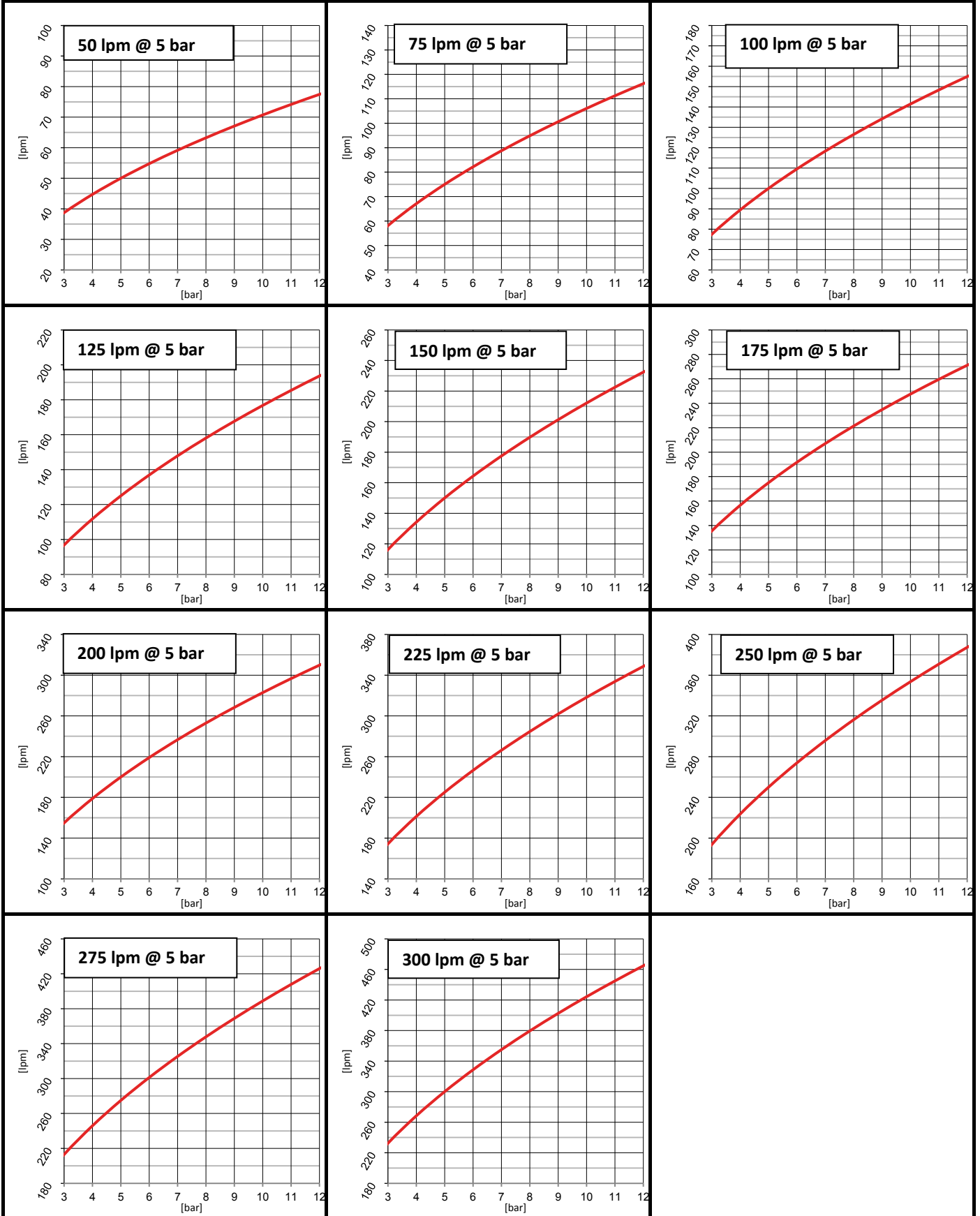
CLIENTE / CLIENT:	PROGETTO / PROJECT:	DOC. No.:	REV.:
EMESSO / ISSUED:	CONTROLLATO / CHECKED:	APPROVATO / APPROVED:	
DATA / DATE:	DATA / DATE:	DATA / DATE:	

I particolari di questo foglio tecnico, sebbene esatti al tempo della pubblicazione, potrebbero essere soggetti a modifiche senza preavviso. - The data shown on this data sheet, although correct at the time of publication, may be varied without notice.

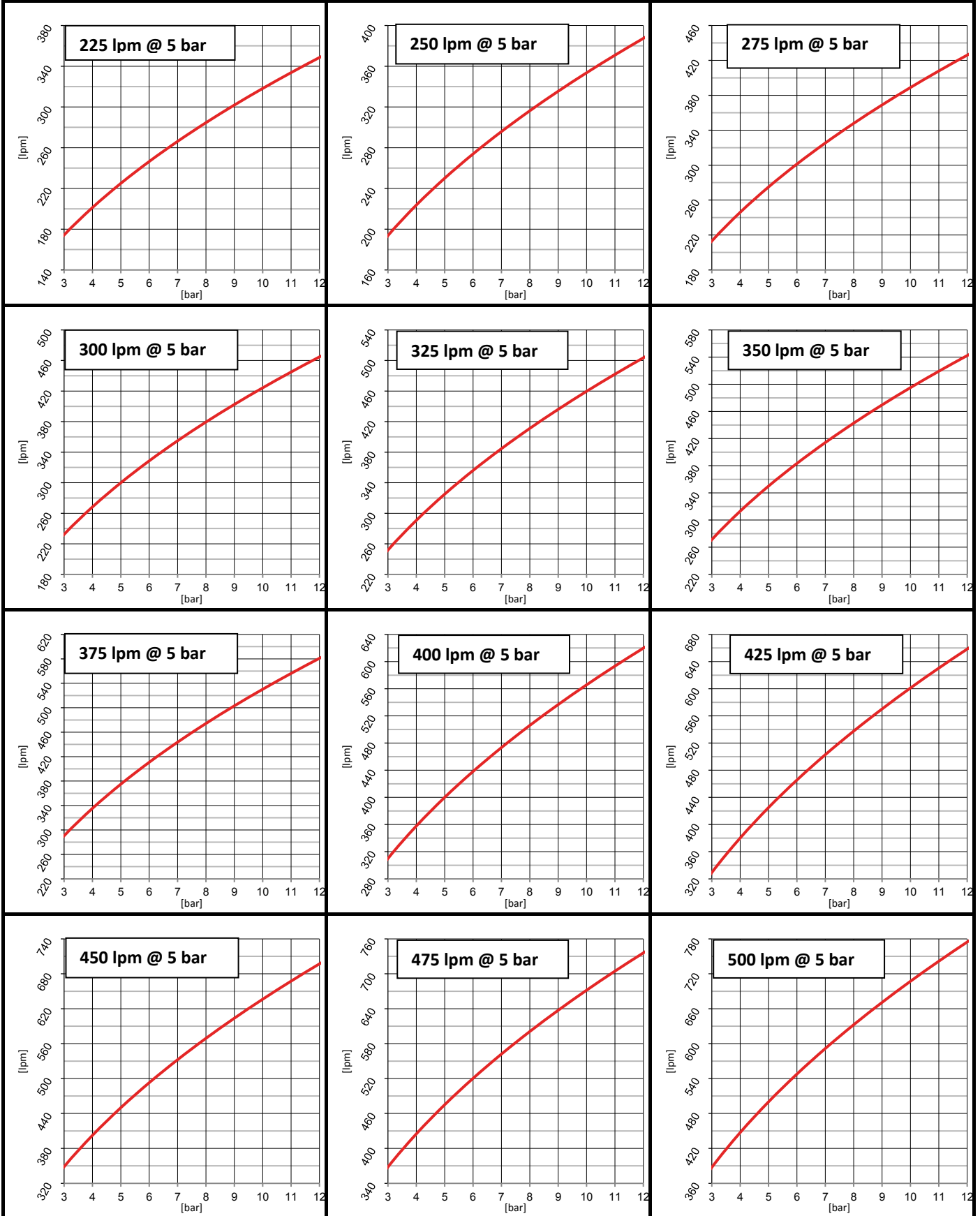
Dimensione / Dimension 2" – Portate / Flow rate



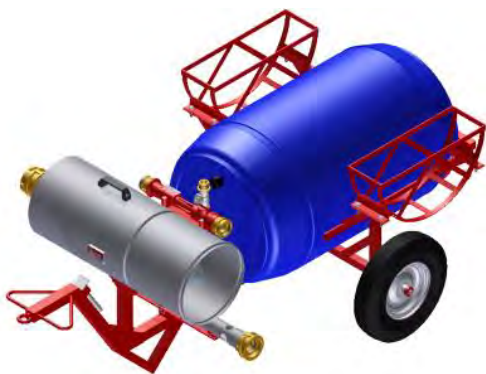
Dimensione / Dimension 2.1/2" – Portate / Flow rate



Dimensione / Dimension 3" – Portate / Flow rate



CARRELLO PORTA FUSTO – CPFO
PORTABLE FOAM TRAILER – CPFO



Descrizione

Il Mod. CPFO è un carrello porta fusto che viene impiegato per rendere trasportabile piccole riserve schiumogene. Questi carrelli sono normalmente impiegati dalle squadre di emergenza antincendio interne agli stabilimenti che li usano secondo esigenza per aumentare la capacità estinguente di una specifica area di impianto oppure per coprire certe zone dove non sono presenti installazioni antincendio fisse. Il carrello è costituito da una struttura in acciaio al carbonio o in acciaio inox in base alle esigenze del cliente sulla quale sono ricavati un asse per le ruote e un asse per l'occhione di traino. Sulla struttura sono ricavati dei supporti per l'applicazione e il fissaggio di un fusto di liquido schiumogeno da 200 litri, di un miscelatore di linea autoaspirante, di una lancia schiuma a bassa espansione e di una lancia schiuma a media espansione. Il carrello è equipaggiato anche di 2 selle laterali per il contenimento di 1 manichette da 20 metri ciascuna.

Description



The Mod. CPFO is a portable foam trailer which is used to make the foam concentrate drum transportable. These trailers are normally used by internal industrial fire brigades that use them when there is a need to deploy additional firefighting appliances on a specific target or to cover an area where fixed firefighting systems are not installed. The portable foam trailer is made of a carbon steel or stainless steel structure on which there are two axles. One is a provision for the wheels and the other instead is used for the towing bar and ring. Several supports have been provided on the trailer structure for the application and fixing of a foam concentrate drum of 200 liters, an in-line self-inducing foam mixer, a low expansion and a medium expansion foam branch pipe. The trolley is also equipped with two lateral hose holders in order to house two hoses of 20 meters each.

Altre versioni disponibili

- Carrello porta fusto verticale (vedi DS A.70.10.20.10)

Other versions available

- Vertical portable foam trailer (see DS A.70.10.20.10)

Caratteristiche tecniche

Carrello

- Struttura monoasse a scelta tra:
 - Acciaio al carbonio
 - Acciaio Inox AISI 304
- Assale rigido
- Ruote a scelta tra:
 - In gomma piena
 - Pneumatiche
- Sella porta manichette in lamiera, capacità di contenere fino a una manichetta DN 65/70 per ogni sella
- Sella porta fusto da 200 litri ⁽¹⁾
- Timone di traino provvisto d'occhione per aggancio automezzo
- Esecuzione idonea per uso esterna in ambiente marino
- Servizio antincendio
- Velocità Max 20 km/h

Ciclo verniciatura standard SA:

- Pulizia manuale con solvente
- Primer epossidico 60 µm
- Intermedio epossidico 30 µm
- Finitura poliuretano 30 µm
- Spessore totale film secco 120 µm +/-10%
- Colore rosso RAL 3000

Miscelatore di linea autoaspirante:

- Corpo in bronzo
- Connessioni a scelta tra:
 - UNI
 - BS
 - DSP
 - STORZ
 - GOST
 - NH
 - SMS
 - NOR
- Dispositivo per la commutazione rapida della percentuale di miscelazione 0 – 1 – 3 – 6 %
- Tubo pescante in PVC con spirale interna d'acciaio, terminale tubo in PVC
- Pressione di progetto 16 bar
- Pressione di collaudo 24 bar
- Finitura al naturale

Technical characteristics

Trailer

- Single-axel structure to be selected among
 - Carbon steel
 - Stainless steel AISI 304
- Rigid axle
- Wheels to be selected among:
 - In solid rubber
 - Pneumatic tyres
- Hose holders, capable to hold up to one fire hose DN 65/70 for each hose holders
- 200 litres drum holders ⁽¹⁾
- Draw bar with towing ring
- Suitable execution to external use in marine atmosphere
- Fire-fighting service
- Maximum speed: 20 km/h

Painting system standard SA:

- Manual cleaning solvent
- Epoxy primer 60 µm
- Epoxy Intermediate 30 µm
- Polyurethane finish 30 µm
- Total thickness 120 µm dry film +/-10%
- Colour red RAL 3000

In-line self-inducing foam mixer:

- Bronze body
- Connections to be selected among:
 - UNI
 - BS
 - DSP
 - STORZ
 - GOST
 - NH
 - SMS
 - NOR
- Quick mixing ratio selector 0 – 1 – 3 – 6 %
- Dip tube in PVC with internal steel spiral, PVC pipe terminal
- Design pressure 16 bar
- Test pressure 24 bar
- Natural surface finishing

Prosegue alla pagina seguente / Continue to the next page

Nota:

(1) Da standard il carrello è fornito senza il fusto della schiuma

Note:

(1) Standard foam trailer will be supplied without foam drum

Caratteristiche tecniche
Carrello porta fusto (CPFO1) equipaggiato:
Lancia schiuma portatile a bassa espansione:

- Corpo in AISI 304
- Ugello in alluminio
- Maniglia in plastica
- Pressione di progetto 16 bar
- Rapporto di espansione 1:6 a 5 bar ⁽²⁾
- Finitura al naturale

Carrello porta fusto (CPFO2) equipaggiato:
Lancia schiuma portatile a media espansione:

- Corpo in AISI 304
- Ugello in acciaio inox AISI 316
- Rete in acciaio inox AISI 316
- Maniglia in plastica
- Pressione di progetto 16 bar
- Rapporto di espansione 1:60 a 5 bar ⁽²⁾
- Finitura al naturale

Carrello porta fusto combinato (CPFO3) equipaggiato:
Lancia schiuma portatile a bassa espansione:

- Corpo in AISI 304
- Ugello in alluminio
- Maniglia in plastica
- Pressione di progetto 16 bar
- Rapporto di espansione 1:6 a 5 bar ⁽²⁾
- Finitura al naturale

Lancia schiuma portatile a media espansione:

- Corpo in AISI 304
- Ugello in acciaio inox AISI 316
- Rete in acciaio inox AISI 316
- Maniglia in plastica
- Pressione di progetto 16 bar
- Rapporto di espansione 1:60 a 5 bar ⁽²⁾
- Finitura al naturale

Technical characteristics
Portable foam trailer (CPFO1) equipped:
Low expansion portable foam branch pipe

- AISI 304 body
- Aluminium nozzle
- Plastic handle
- Design pressure 16 bar
- Expansion ration 1:6 at 5 bar ⁽²⁾
- Natural surface finishing

Portable foam trailer (CPFO2) equipped:
Medium expansion portable foam branch pipe

- AISI 304 body
- Stainless steel AISI 316 nozzle
- Stainless steel AISI 316 net
- Plastic handle
- Design pressure 16 bar
- Expansion ration 1:60 at 5 bar ⁽²⁾
- Natural surface finishing

Combined portable foam trailer (CPFO3) equipped:
Low expansion portable foam branch pipe

- AISI 304 body
- Aluminium nozzle
- Plastic handle
- Design pressure 16 bar
- Expansion ration 1:6 at 5 bar ⁽²⁾
- Natural surface finishing

Medium expansion portable foam branch pipe

- AISI 304 body
- Stainless steel AISI 316 nozzle
- Stainless steel AISI 316 net
- Plastic handle
- Design pressure 16 bar
- Expansion ration 1:60 at 5 bar ⁽²⁾
- Natural surface finishing

Nota:

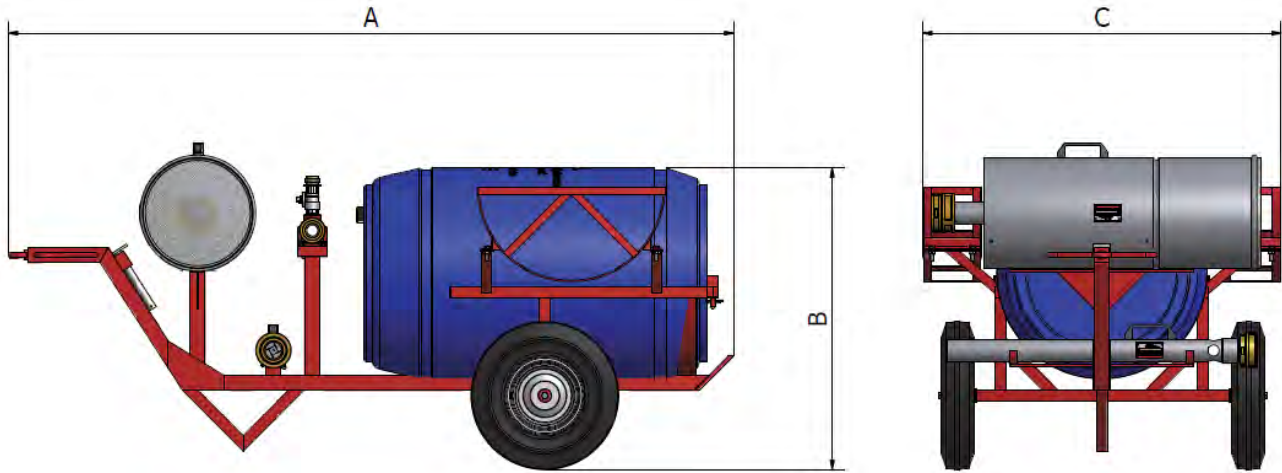
(2) Dipende dal tipo di schiumogeno

Note:

(2) Depending on foam concentrate type

Dimensioni e Pesì

Dimensions and Weights



TYPE	Ruote Wheels Ø	A mm	B mm	C mm	Portata Miscelatore (l/min a 8 bar) e Portata Lance (l/min a 5 bar) Flow rate Mixer (lpm at 8 bar) & Flow rate branch pipe (lpm at 5 bar)						Peso Weight (kg)
					200	225	250	400	450	500	
CPFO1	400	1950	805	971	✓	✓	✓	✓	✓	✓	85
CPFO2	400	1950	881	971	✓	✓	✓	✓	✓	✓	85
CPFO3	400	1950	881	971	✓	✓	✓	✓	✓	✓	85

Opzioni

- Manichetta antincendio
- Tipologia schiumogeno
- Ciclo di verniciatura diverso dallo Standard SA
- Per ulteriori opzioni o versioni speciali contattare SA Fire Protection

Optional

- Fire hose
- Type foam concentrate
- Painting system different from Standard SA
- For additional options or special versions contact SA Fire Protection

**Codice Identificativo
Identification Form**

OPZIONI / OPTIONS

Mod.

1	2	3	4	5	6	7	8	9	

Quantità / Quantity

CARRELLO PORTA FUSTO CPFO / PORTABLE FOAM TRAILER CPFO

TIPOLOGIA TYPE	RUOTE WHEELS	CONNESSIONI DI ALIMENTAZIONE FEEDING CONNECTION	PORTATA FLOW RATE
1	Tipologia Type	Carrello porta fusto con lancia B.E. Portable foam trailer with L.E. branch pipe	CPFO1 <input type="checkbox"/>
		Carrello porta fusto con lancia M.E. Portable foam trailer with M.E. branch pipe	CPFO2 <input type="checkbox"/>
2	Materiale Material	Carrello porta fusto combinato con lancia B.E. e M.E. Combined portable foam trailer with branch pipe L.E. and M.E.	CPFO3 <input type="checkbox"/>
		Acciaio al carbonio Carbon steel	CAC60 <input type="checkbox"/>
3	Materiale Material	Acciaio inox AISI 304 Stainless steel AISI 304	CAI60 <input type="checkbox"/>
		Ruote rigide in gomma piena Rigid solid rubber wheels	RR <input type="checkbox"/>
4	Tipologia Type	Ruote con gomme pneumatiche Wheels with pneumatic tyres	RP <input type="checkbox"/>
		UNI Italian	UNI <input type="checkbox"/>
		BS British	BS <input type="checkbox"/>
		STORZ German	STORZ <input type="checkbox"/>
		DSP French	DSP <input type="checkbox"/>
		NH North American	NH <input type="checkbox"/>
		GOST Russian	GOST <input type="checkbox"/>
		SMS Swedish	SMS <input type="checkbox"/>
5	Portata Flow rate	NOR Norwegian	NOR <input type="checkbox"/>
		200 l/min	200 <input type="checkbox"/>
		225 l/min	225 <input type="checkbox"/>
		250 l/min	250 <input type="checkbox"/>
		400 l/min	400 <input type="checkbox"/>
		450 l/min	450 <input type="checkbox"/>
		500 l/min	500 <input type="checkbox"/>
Altro Other	F <input type="checkbox"/>	Specificare in Note la portata richiesta. Specify in Notes the flow rate required.	

Prosegue alla pagina seguente / Continue to the next page

CARRELLO PORTA FUSTO – CPFV PORTABLE FOAM TRAILER – CPFV



CPFVA



CPFVB

Descrizione

Il modello CPFV è un carrello porta fusto che viene impiegato per rendere trasportabile piccole riserve schiumogene. Questi carrelli sono normalmente impiegati dalle squadre di emergenza antincendio interne agli stabilimenti che li usano secondo esigenza per aumentare la capacità estinguente di una specifica area di impianto oppure per coprire certe zone dove non sono presenti installazioni antincendio fisse. Il carrello è costituito da una struttura in acciaio al carbonio o in acciaio inox in base alle esigenze del cliente sulla quale è ricavato un asse per le ruote. Inoltre il telaio è provvisto di occhio di traino. Sulla struttura sono ricavati dei supporti per l'applicazione e il fissaggio di un fusto di liquido schiumogeno da 200 litri, di un miscelatore di linea autoaspirante, di una lancia schiuma a bassa espansione e di una lancia schiuma a media espansione. Il carrello è equipaggiato anche di 2 selle laterali per il contenimento di 1 manichette da 20 metri ciascuna.

Description



Model CPFV is a portable foam trailer which is used to make the foam concentrate drum transportable. These trailers are normally used by internal industrial fire brigades that use them when there is a need to deploy additional firefighting appliances on a specific target or to cover an area where fixed firefighting systems are not installed. The portable foam trailer is made of a carbon steel or stainless steel structure on which there are two axles. One is a provision for the wheels. The frame is also equipped with a towing ring. Several supports have been provided on the trailer structure for application and fixing of a foam concentrate drum of 200 liters, an in-line self-inducing foam mixer, a low expansion and a medium expansion foam branch pipe. The trolley is also equipped with two lateral hose holders in order to house two hoses of 20 meters each.

Altre versioni disponibili

- Carrello porta fusto orizzontale (vedi DS A.70.10.10.10)

Other versions available

- Horizontal portable foam trailer (see DS A.70.10.10.10)

Caratteristiche tecniche

Carrello

- Struttura monoasse a scelta tra:
 - Acciaio al carbonio
 - Acciaio Inox
- Assale rigido
- Ruote a scelta tra:
 - In gomma piena
 - Pneumatiche
- Sella porta manichette in lamiera, capacità di contenere fino a una manichetta DN 65/70 per ogni sella
- Sella porta fusto da 200 litri ⁽¹⁾
- Timone di traino provvisto d'occhione per aggancio automezzo
- Esecuzione idonea per uso esterna in ambiente marino
- Servizio antincendio
- Velocità Max 20 km/h

Ciclo verniciatura standard SA:

- Pulizia manuale con solvente
- Primer epossidico 60 µm
- Intermedio epossidico 30 µm
- Finitura poliuretano 30 µm
- Spessore totale film secco 120 µm +/-10%
- Colore rosso RAL 3000

Miscelatore di linea autoaspirante:

- Corpo in bronzo
- Connessioni a scelta tra:
 - UNI
 - BS
 - DSP
 - STORZ
 - GOST
 - NH
 - SMS
 - NOR
- Dispositivo per la commutazione rapida della percentuale di miscelazione 0 – 1 – 3 – 6 %
- Tubo pescante in PVC con spirale interna d'acciaio, terminale tubo in PVC
- Pressione di progetto 16 bar
- Pressione di collaudo 24 bar
- Finitura al naturale

Technical characteristics

Trailer

- Single-axel structure to be selected among
 - Carbon steel
 - Stainless steel
- Rigid axle
- Wheels to be selected among:
 - In solid rubber
 - Pneumatic tyres
- Hose saddle, capable to hold up to one fire hose DN 65/70 for each saddle
- 200 litres drum holders ⁽¹⁾
- Draw bar with towing ring
- Suitable execution to external use in marine atmosphere
- Fire-fighting service
- Maximum speed: 20 km/h

Painting system standard SA:

- Manual cleaning solvent
- Epoxy primer 60 µm
- Epoxy Intermediate 30 µm
- Polyurethane finish 30 µm
- Total thickness 120 µm dry film +/-10%
- Colour red RAL 3000

In-line self-inducing foam mixer:

- Bronze body
- Connections to be selected among:
 - UNI
 - BS
 - DSP
 - STORZ
 - GOST
 - NH
 - SMS
 - NOR
- Quick mixing ratio selector 0 – 1 – 3 – 6 %
- Dip tube in PVC with internal steel spiral, PVC pipe terminal
- Design pressure 16 bar
- Test pressure 24 bar
- Natural surface finishing

Prosegue alla pagina seguente / Continue to the next page

Nota:

(1) Da standard il carrello è fornito senza il fusto della schiuma

Note:

(1) Standard foam trailer will be supplied without foam drum

Caratteristiche tecniche
Carrello porta fusto (CPFV1) equipaggiato:
Lancia schiuma portatile a bassa espansione

- Corpo in AISI 304
- Ugello in alluminio
- Maniglia in plastica
- Pressione di progetto 16 bar
- Rapporto di espansione 1:6 a 5 bar ⁽²⁾
- Finitura al naturale

Carrello porta fusto (CPFV2A) equipaggiato:
Lancia schiuma portatile a media espansione: (piccola)

- Corpo in AISI 304
- Ugello in acciaio inox AISI 316
- Rete in acciaio inox AISI 316
- Maniglia in plastica
- Valvola d'intercetto a sfera in ottone nichelato da F. 2" BSP
- Rapporto di espansione 1:40 a 5 bar ⁽²⁾
- Pressione di progetto 16 bar
- Finitura al naturale

Carrello porta fusto (CPFV2B) equipaggiato:
Lancia schiuma portatile a media espansione: (grande)

- Corpo in AISI 304
- Ugello in acciaio inox AISI 316
- Rete in acciaio inox AISI 316
- Maniglia in plastica
- Rapporto di espansione 1:60 a 5 bar ⁽²⁾
- Pressione di progetto 16 bar
- Finitura al naturale

Technical characteristics
Portable foam trailer (CPFV1) equipped:
Low expansion portable foam branch pipe

- AISI 304 body
- Aluminium nozzle
- Plastic handle
- Design pressure 16 bar
- Expansion ration 1:6 at 5 bar ⁽²⁾
- Natural surface finishing

Portable foam trailer (CPFV2A) equipped:
Medium expansion portable foam branch pipe: (small)

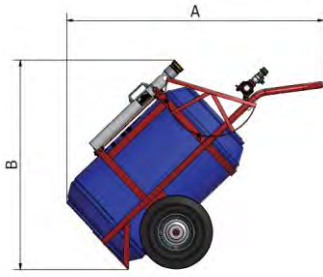
- AISI 304 body
- Stainless steel AISI 316 nozzle
- Stainless steel AISI 316 net
- Plastic handle
- Isolation ball valve in nickel-plated brass F. 2" BSP
- Expansion ration 1:40 at 5 bar ⁽²⁾
- Design pressure 16 bar
- Natural surface finishing

Portable foam trailer (CPFV2B) equipped:
Medium expansion portable foam branch pipe: (large)

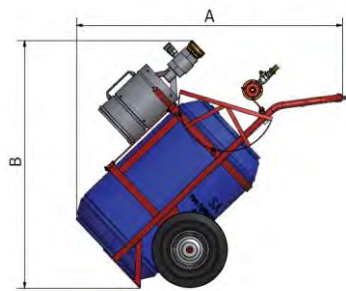
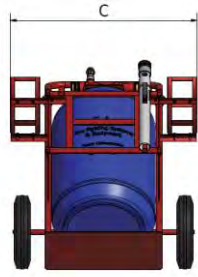
- AISI 304 body
- Stainless steel AISI 316 nozzle
- Stainless steel AISI 316 net
- Plastic handle
- Expansion ration 1:60 at 5 bar ⁽²⁾
- Design pressure 16 bar
- Natural surface finishing

Dimensioni e Pesì

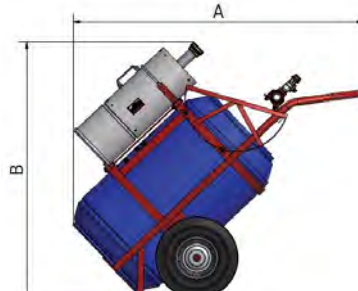
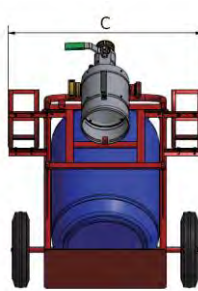
Dimensions and Weights



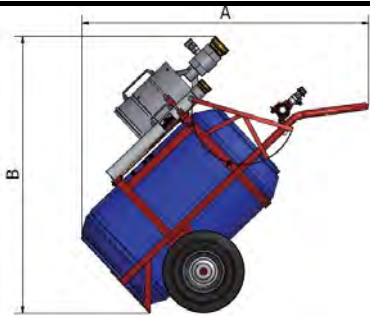
CPFV1



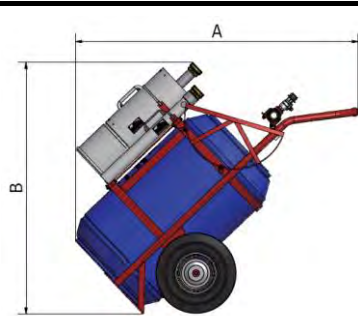
CPFV2A



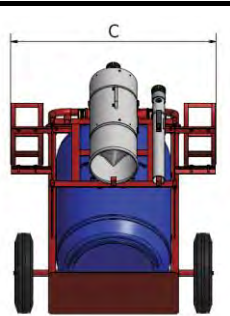
CPFV2B



CPFV3A



CPFV3B



TYPE	Ruote Wheels Ø mm	A mm	B mm	C mm	Portata Miscelatore (l/min a 8 bar) e Portata Lance (l/min a 5 bar) Flow rate Mixer (lpm at 8 bar) & Flow rate branch pipe (lpm at 5 bar)							Peso a vuoto Empty weight (kg)
					200	225	250	400	450	500	800	
CPFV1	400	1410	1140	1022	✓	✓	✓	✓	✓	✓	✓	95
CPFV2A	400	1410	1310	1022	✗	✗	✗	✓	✓	✓	✓	95
CPFV2B	400	1410	1250	1022	✓	✓	✓	✗	✗	✗	✗	95
CPFV3A	400	1410	1310	1022	✗	✗	✗	✓	✓	✓	✓	95
CPFV3B	400	1410	1250	1022	✓	✓	✓	✗	✗	✗	✗	95

**Codice Identificativo
Identification Form**

OPZIONI / OPTIONS

Mod. / / / / / / / / /

1
2
3
4
5
6
7
8
9

Quantità / Quantity

CARRELLO PORTA FUSTO CPFV / PORTABLE FOAM TRAILER CPFV

TIPOLOGIA TYPE	1	Tipologia Type	Carrello porta fusto con lancia a bassa espansione Portable foam trailer with low expansion branch pipe	CPFV1 <input type="checkbox"/>	
			Carrello porta fusto con lancia media espansione Portable foam trailer with medium expansion branche pipe	CPFV2A <input type="checkbox"/>	Per portate da 400 l/min For flow rates from 400 lpm
			Carrello porta fusto con lancia media espansione Portable foam trailer with medium expansion branche pipe	CPFV2B <input type="checkbox"/>	Per portate fino a 250 l/min For flow rates up to 250 lpm
			Carrello porta fusto con lancia B.E. e M.E. Portable foam trailer with branch pipe L.E. and M.E.	CPFV3A <input type="checkbox"/>	Per portate da 400 l/min For flow rates from 400 lpm
			Carrello porta fusto con lancia B.E. e M.E. Portable foam trailer with branch pipe L.E. and M.E.	CPFV3B <input type="checkbox"/>	Per portate fino a 250 l/min For flow rates up to 250 lpm
	2	Materiale Material	Acciaio al carbonio Carbon steel	CAC60 <input type="checkbox"/>	
Acciaio inox AISI 304 Stainless steel AISI 304			CAI60 <input type="checkbox"/>		
RUOTE WHEELS	3	Materiale Material	Ruote rigide in gomma piena Rigid solid rubber wheels	RR <input type="checkbox"/>	
			Ruote con gomme pneumatiche Wheels with pneumatic tyres	RP <input type="checkbox"/>	
CONNESSIONI DI ALIMENTAZIONE FEEDING CONNECTION	4	Tipologia Type	UNI Italian	UNI <input type="checkbox"/>	
			BS British	BS <input type="checkbox"/>	
			STORZ German	STORZ <input type="checkbox"/>	
			DSP French	DSP <input type="checkbox"/>	
			NH North American	NH <input type="checkbox"/>	
			GOST Russian	GOST <input type="checkbox"/>	
			SMS Swedish	SMS <input type="checkbox"/>	
			NOR Norwegian	NOR <input type="checkbox"/>	
PORTATA FLOW RATE	5	Portata Flow rate	200 l/min	200 <input type="checkbox"/>	
			225 l/min	225 <input type="checkbox"/>	
			250 l/min	250 <input type="checkbox"/>	
			400 l/min	400 <input type="checkbox"/>	
			450 l/min	450 <input type="checkbox"/>	
			500 l/min	500 <input type="checkbox"/>	
			800 l/min	800 <input type="checkbox"/>	
			Altro Other	F <input type="checkbox"/>	Specificare in Note la portata richiesta. Specify in Notes the flow rate required.

Prosegue alla pagina seguente / Continue to the next page

SERBATOIO ATMOSFERICO – SO
ATMOSPHERIC TANK – SO



Descrizione



Il Mod. SO è un serbatoio atmosferico utilizzato per lo stoccaggio del liquido schiumogeno. Il serbatoio è costruito in acciaio inox ed è provvisto di chiusino e valvola di drenaggio per lo schiumogeno. A richiesta può essere fornito completo di supporto per l'installazione di un miscelatore di linea.

Description



The Mod. SO is an atmospheric tank used for the storage of foam concentrate. The tank is manufactured in stainless steel and is provided with manhole and drain valve for the foam concentrate. On request it can be equipped with a support for the installation of a line mixer.

Caratteristiche tecniche

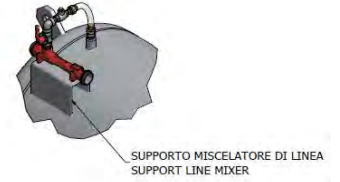
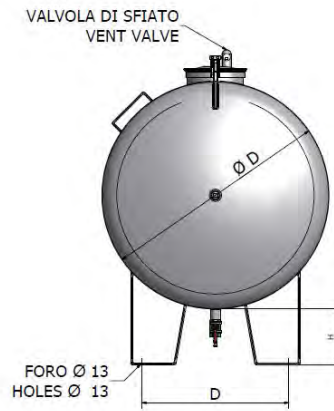
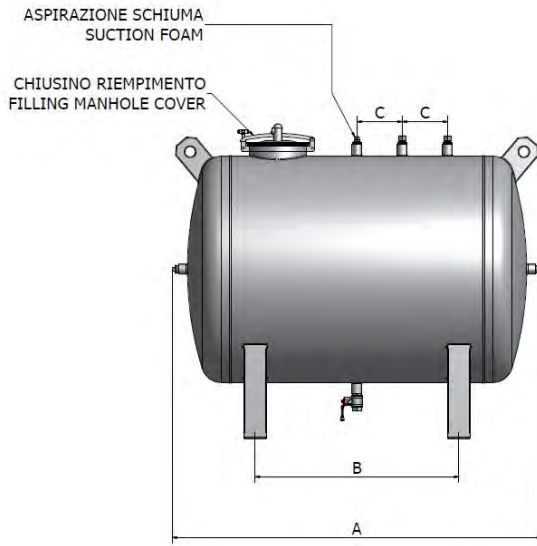
- Fondi e fasciame con spessore 3 mm a scelta tra:
 - Acciaio inox AISI 304
 - Acciaio inox AISI 316
- Basamento in acciaio inox AISI 304
- Chiusino di caricamento a chiusura rapida corredato di valvola di sfiato tipo moplen
- Manicotto corredato di pescante smontabile in acciaio inox AISI 304
- Valvola a sfera di drenaggio schiumogeno con corpo in ottone
- Esecuzione idonea ad installazione esterna in ambiente marino e funzionamento con acqua mare e soluzioni schiumogene
- Finitura al naturale

Technical characteristics

- Bottom and shell with thickness 3 mm to be selected among:
 - Stainless steel AISI 304
 - Stainless steel AISI 316
- Platform in stainless steel AISI 304
- Filling manhole cover with moplen type vent valve
- Sleeve with removable suction pipe in stainless steel AISI 304
- Foam drain ball valve with body in brass
- Suitable execution for external installation in marine environment and operation with sea water and foam solutions
- Natural finishing

Dimensioni e Pesì

Dimensions and Weights



Ø D mm	A mm	B mm	C mm	D mm	H mm	Capacità - litri Volume - litre	Peso Weight (kg)
600	1050	500	225	465	250	200	90
600	1550	900		465		400	90
800	1470	750		650		600	160
1000	1500	750		760		1000	190
1000	1895	950		760		1200	210

Opzioni

- Supporto miscelatore di linea
- Ciclo di verniciatura diverso dallo Standard SA
- Per ulteriori opzioni o versioni speciali contattare SA Fire Protection

Optional

- Line mixer support
- Painting system different from Standard SA
- For additional options or special versions contact SA Fire Protection

**Codice Identificativo
Identification Form**

OPZIONI / OPTIONS

Mod. /

1
2
3
4
5

Quantità / Quantity

SERBATOIO ATMOSFERICO SO / ATMOSPHERIC TANK SO

TIPOLOGIA TYPE	1	Tipologia Type	Serbatoio schiumogeno Foam concentrate tank				SO <input checked="" type="checkbox"/>			
	2	Materiale Material	Acciaio inox AISI 304 Stainless steel AISI 304				CAI70 <input type="checkbox"/>			Materiale standard Standard material
			Acciaio inox AISI 316 Stainless steel AISI 316				CAI72 <input type="checkbox"/>			
3		Capacità Volume	200 L	400 L	600 L	20 <input type="checkbox"/>	40 <input type="checkbox"/>	60 <input type="checkbox"/>		
			1000 L	1200 L		100 <input type="checkbox"/>	120 <input type="checkbox"/>			
			Altro Other						F <input type="checkbox"/>	
OPZIONI OPTIONS	4	Tipologia Type	Supporto per miscelatore di linea Line mixer support				SM <input type="checkbox"/>			
	5	Verniciatura Painting	Verniciatura diversa da ciclo SA standard Painting system different for SA standard				C <input type="checkbox"/>			Specificare in Note il ciclo di verniciatura richiesto. Specify in Notes the painting procedure required.

NOTE NOTES	

CLIENTE / CLIENT:	PROGETTO / PROJECT:	DOC. No.:	REV.:
EMESSO / ISSUED:	CONTROLLATO / CHECKED:	APPROVATO / APPROVED:	
DATA / DATE:	DATA / DATE:	DATA / DATE:	

I particolari di questo foglio tecnico, sebbene esatti al tempo della pubblicazione, potrebbero essere soggetti a modifiche senza preavviso. - The data shown on this data sheet, although correct at the time of publication, may be varied without notice.

Dräger Nederland B.V.

Marine & Offshore
Beurtschipperstraat 1
3194 DK Hoogvliet
The Netherlands
Tel: +31 (0)10 295 2740
sales-mo.sd.nl@draeger.com

Service Center
Koperslagersweg 14F
1786 RA Den Helder
The Netherlands
Tel: +31 (0)223 787 007
denhelder-mo.sd.nl@draeger.com



www.draeger-mo.com