



Dräger - your marine safety specialist

Fire Protection Deluge Valves
Catalogue

Dräger Nederland B.V.
Marine & Offshore

Tel.: +31 (0)10 - 295 2740

Fax: +31 (0)10 - 295 2709

sales-mo.sd.nl@draeger.com

www.draeger-mo.com

© Copyright Dräger Nederland B.V.

All rights reserved. Reproduction in whole or part without prior written permission from Dräger is prohibited. Great care has been taken throughout the catalogue to be accurate, but Dräger cannot accept any responsibility for any errors or omissions which might occur.

All products, logos, names and technologies are trademarks and/or registered trademarks of their respective companies.

2016

Safety on board

As a Total Care Service organization Dräger would like to team up with your company as the service company for the annual service and maintenance for the following Fire fighting, Rescue & Safety (FRS) equipment.

Our scope of service capabilities includes (but is not limited to):

- portable and wheeled fire extinguishers
- fixed fire suppression systems and foam systems
- fire hoses and spray nozzles
- survival suits and lifejackets
- portable and fixed gas detection
- breathing protection and breathing compressors and fireman's outfits

ONE PARTNER FOR ALL FRS SOLUTIONS

Dräger has readily available resources to send qualified service teams and offshore containers offshore which have the skills to perform the required service on the above equipment in one visit.

This not only reduces overhead in organizing service and travelling of technicians but also gives you one point of contact for all maintenance, certification and related administration.

SAFETY MANAGEMENT SYSTEM

Our technicians all have offshore experience, and are trained to the required standards. Dräger is in possession of a ISO9001 certificate, has a Safety Management System in place and is an approved service organization for major class societies.

DEDICATED TO THE OFFSHORE WORLD

Years of experience and highly trained and certified technicians make Dräger an authority on fire fighting, rescue and safety projects for the marine and offshore industries. Our organization has a strong global presence and meets all of the requirements of high safety and quality standards.

Dräger Marine & Offshore is located in Rotterdam, Aberdeen and Stavanger. Dräger is available 24 hours a day, seven days a week and 365 days a year.

Meeting our customers needs is the cornerstone of our organization. We clearly understand that long-lasting relationships are built upon mutual trust and proven reliability.

DRÄGER INTERNATIONAL

Dräger was founded in 1889 in Lübeck, Germany. Dräger is one of the world's leading suppliers of personal protective equipment, gas detection technology, and interdisciplinary system solutions for total hazard management. The company, with more than 13,500 employees, has global sales of over 500 million euros.

Dräger. Technology for life.

Advanced service system

MONITORING MAINTENANCE

Dräger uses advanced ERP planning and registration software by Microsoft Navision®, which offers:

- Barcode marking of all equipment
- Equipment will be integrated into our ERP system
- ERP system equipped with service planning software
- One click overview of service to be performed per rig, per year
- Annual budget forecasting for up to five years

ADVANTAGES

- Every service action can be planned
- One overview of all equipment on board of all rigs
- One overview of service performed on a unit basis
- Certificates produced straight from the system

Every single item is registered:

- Barcode
- Serial number
- Type of equipment
- Manufacturer
- Lifetime of equipment
- Service actions required
- Special surveys

MOBILE WORKSHOP ON BOARD

Dräger has DNV approved offshore service containers, fully equipped with test equipment, spare parts and replacements, to perform FRS service on board of a platform.

The containers have been equipped with a computerized Dräger SCBA test bench and other test equipment. Service of fire fighting, life saving appliances such as life jackets and survival suits, portable and fixed gas detection equipment, hospital oxygen systems etc can all be performed on board.

Alongside the test equipment these containers have enough spare parts and new equipment to be able to carry out repairs and/or replace defective equipment as required.

FRS CERTIFICATE PORTAL

Dräger offers you the FRS Certificate Portal:

- Review, print, download and e-mail certificates in a digital online environment
- 24/7 availability, all you need is an Internet connection
- All certificates are clearly organized per order
- Only one login code needed for complete overview of all installations / locations / vessels
- This service is free of charge
- Registration via www.draeger-mo.com

This service is meant for everybody who manages FRS certificates on board of your rig.

Total Care FRS service contract concepts

In some cases it can be desirable to use service contracts to have a stable overview of what can be expected from service costs in the future. Dräger has developed two concepts offering a variable degree of certainty about future maintenance (and replacement) costs. We are able to offer contracts where the variables of service cost and replacements can be contractually bound. The contracts are developed to offer two degrees of certainty and are named as described in the following paragraph.

DRÄGER OFFSHORE SERVICE CONCEPTS

Dräger offers two service contract solutions to accommodate different customer requirements:

- Dräger Premium
- Dräger Life Cycle Management

These concepts form the basis for installment of service contracts, offering multiple levels of security on future FRS service spending.

DRÄGER PREMIUM

An Dräger Premium contract takes away uncertainty about current and future service costs and requires less administrative involvement of the customer.

Dräger-Premium covers all annual service needs:

- Deployment of offshore container to rig location
- Deployment of Dräger service technicians
- Includes all agreed FRS service activities
- Possibility to include discount on product groups and parts
- One-stop onboard service and maintenance of all FRS equipment
- Fully equipped offshore container, including all service equipment
- Small stock of new replacements present in container
- Spare parts and replacements are not included

DRÄGER PREMIUM ADVANTAGES

- One annual visit to service all FRS equipment
- Includes all mandatory service actions for the included equipment
- No backflow of service intervals
- One PO and one invoice per rig / per year
- Less administrative involvement of customer

DRÄGER LIFE CYCLE MANAGEMENT

The most advanced service contract is the Dräger Life Cycle Management contract.

Dräger LCM covers your concerns about FRS service and replacement to one service provider:

Dräger-Premium package plus:

- Replacement of the equipment at the end of the life cycle (excluding replacement of fixed equipment: hydrants, CO2 installations, etc.)
- Replacements of spare parts
- Standardization of equipment by replacement with latest standards and approvals
- Exchange equipment when necessary
- Requires preparation to implement
- An exact FRS inventory list per rig is required
- Easy to maintain / extent / decrease

DRÄGER LIFE CYCLE MANAGEMENT ADVANTAGES

- Only one visit to the rig
- Less involvement of crew in the service activities
- No additional spare part costs
- The equipment is up to date and in optimal condition
- Equipment to the latest technical/approval standards
- Crew members are more easily redistributed between rigs (because of standardization of equipment)

Rental equipment and training

RENTAL EQUIPMENT

Via a rental pool Dräger makes all the safety-relevant equipment required (during shutdown) available to you, from communications technology or gas detection devices to personal protection equipment.

Renting devices – with predictable rental rates – is the ideal solution for clearly defined projects. If necessary, we provide you with detailed advice which devices you should keep available in which numbers.

You can trust our experience and expect realistic projections. 10 additional gas detection devices, 20 fall arrest belts and a ladder – not everything can be scheduled down to the day. No problem. We take care of it for you.

We record all material movements in our database. This documentation enables easy controlling and also forms the basis for traceable invoicing.

TRAINING

Complete safety does not end with the purchase of safety equipment – in fact it is only the beginning!

To be effective, operators need to be competent and empowered in the use, testing and troubleshooting of safety equipment. That's where effective training is an essential addition to a user's safety regime.

With over 100 years experience in safety, Dräger is able to bring a wealth of knowledge in the use of equipment and best practice procedures in response to hazardous situations.

With a comprehensive range of training programmes for the oil and gas industry we can help to ensure your equipment and personnel are always ready – whatever the situation. Courses can be customised to suit specific requirements, known hazards or unusual applications and conducted at operational sites.

If preferred, they can also be carried out at our purpose built training facilities using simulated environments including crawl galleries and confined spaces.

Courses cover both theory and hands on use of equipment in practical applications; testing; maintenance and troubleshooting - for everything from gas detection set up and calibration – both fixed and portable; breathing apparatus; drugs and alcohol detection and first aid.

Quality, safety and liability

QUALITY

We guarantee that the offered services are performed to the very highest standards. The quality of our work and our organization is safeguarded by a certified Quality Management System ISO 9001:2000, ISO14001 and OHSAS18001.

During a contract period Dräger always commits itself to keep the Quality Management System certified and valid. In addition, we welcome an audit by your quality manager at any time.

SAFETY

Safety on board is a key consideration for all professional operators. It is therefore reassuring that our service technicians are all in possession of a basic safety certificate. They understand the possible risks on board and they know what is expected from them to ensure the safety for themselves, your crew and your assets.

Our safety management system ensures that our procedures and our behavior are regularly monitored and adjusted where required. Of course it is possible to audit our safety system. Please ask your safety manager to contact us at any time to make an appointment.

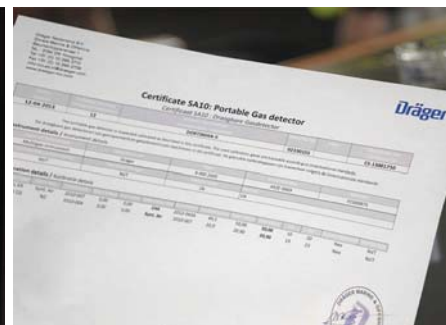
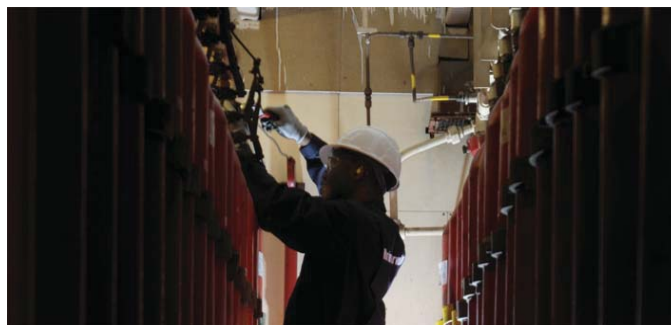
LIABILITY INSURANCE

As part of the world wide operating Dräger group (www.draeger.com) our organization is in possession of a liability insurance which cover our activities. On request we can send you a copy of the insurance policy.

CUSTOMER SATISFACTION

We are your Fire fighting, Rescue and Safety partner who will provide solutions to meet your needs. We clearly understand that long-lasting relationships are built upon mutual trust and proven reliability. Therefor customer satisfaction is a key performance indicator for us.

We constantly monitor our customer satisfaction level and strive to improve our performance, our procedures and general behavior based on your feedback. We have a procedure in place which offers you the opportunity to share your suggestions and/or concerns.



VALVOLA A DILUVIO MOD. VD
DELUGE VALVE MOD. VD



Descrizione



Le valvole a diluvio Mod. VD sono valvole a membrana disponibili nelle dimensioni da 2" (DN 50) a 10" (DN 250).

Le valvole a diluvio VD sono utilizzate per il controllo del flusso di acqua in impianti a diluvio, a preazione, a riduzione di pressione e ON/OFF e in sistemi acqua/schiuma. Quando dotate dei relativi accessori (pressostati, campana idraulica) sono in grado di azionare gli allarmi all'attivazione del sistema.

In condizione di normale esercizio la valvola a diluvio VD è mantenuta chiusa dalla pressione dell'acqua nella camera di controllo. In caso di incendio il sistema di rilascio determina il deflusso dell'acqua dalla camera di controllo e l'apertura della valvola sotto l'effetto della pressione della linea di alimentazione.

La valvola a diluvio Mod. VD può essere installata in posizione verticale o orizzontale. La valvola può essere riarmata dall'esterno senza necessità di essere aperta. Il coperchio di ispezione consente la manutenzione della valvola e la sostituzione della membrana mantenendo la valvola montata sulla linea principale.

La valvola a diluvio Mod. VD è compatibile con sistemi di controllo (trim) ad azionamento elettrico, elettro-pneumatico, pneumatico e idraulico.

I materiali di costruzione rendono la valvola a diluvio idonea per l'impiego con acqua di mare o soluzioni schiumogene all'interno di ambienti industriali ad alta aggressività o in applicazioni offshore.

Description



The deluge valves Mod. VD are diaphragm type valves available in diameter sizes from 2" (DN 50) to 10" (DN 250).

The deluge valves VD are used to control water flow in deluge, preaction, pressure reducing and ON/OFF fire protection systems. When equipped with the relevant accessories (pressure switch, water motor alarm), they can provide actuation of fire alarms upon system operation.

In normal operating conditions the deluge valve VD is held closed by the water pressure in the control chamber. In fire conditions water is released from the control chamber through the release system, and the valve latches open under the effect of the water supply pressure.

The deluge valve Mod. VD can be installed in vertical or horizontal position. It is designed for external resetting, without opening the valve. The cover plate allows in-line maintenance and field replace of the diaphragm to be performed.

The deluge valve Mod. VD is compatible with electric, pneumatic, electro-pneumatic and hydraulic release systems (trims).

The material of construction make it suitable for being used with sea water or water foam solution within industrial harsh environments & offshore applications.

Caratteristiche tecniche

- Materiali corpo a scelta tra:
 - Nichel Alluminio Bronzo ASTM B148 C95800
 - Bronzo EN 1982 – CC491K
 - Acciaio inox AISI 316 ASTM A351 Gr.CF8M
- Materiale membrana: EPDM rinforzato
- Vite di serraggio coperchio: Acciaio inox AISI 316
- Flange disponibili ANSI B16.5 / B16.24 o UNI EN 1092-1
- Pressione di progetto ⁽¹⁾: 26 bar
- Pressione di test: 41,4 bar
- Temperatura dell'acqua: da 0,5°C a 90°C
- Minima pressione di esercizio: 1,38 bar (20 psi)
- Predisposizione attacco valvola di drenaggio principale a monte

Finitura:

- Al naturale

Technical characteristics

- Body materials to be selected among:
 - Nickel Aluminum Bronze ASTM B148 C95800
 - Bronze EN 1982 – CC491K
 - Stainless steel AISI 316 ASTM A351 Gr.CF8M
- Diaphragm material: EPDM fabric reinforced
- Nuts and bolts material: Stainless steel AISI 316
- Flanges ANSI B16.5 / B16.24 or UNI EN 1092-1
- Design pressure ⁽¹⁾: 26 bar
- Test pressure: 41,4 bar
- Water temperature: from 0,5 °C to 90°C
- Minimum working pressure: 1.38 bar (20 psi)
- Connection for main drain valve upstream

Finish:

- Natural

Certificazioni

- UL Listed ⁽²⁾

Certifications

- UL Listed ⁽²⁾

Prestazioni idrauliche

	Dimensione valvola						
	2"	2 1/2"	3"	4"	6"	8"	10"
K_v ((m ³ /h)/√bar)	87	134	136	202	495	981	1156
$L_{eq}^{(3)}$ (m)	3,4	3,6	10,8	19,9	27,7	29,1	58,0

Hydraulic performance

	Valve size						
	2"	2 1/2"	3"	4"	6"	8"	10"
C_v (gpm/√psi)	101	156	158	236	577	1145	1348
$L_{eq}^{(3)}$ (ft)	11,3	11,8	35,6	65,3	91,0	95,6	223,0

Opzioni

- Trim di controllo
- Sensore di posizione per membrana
- Predisposizione attacco drenaggio principale aggiuntivo a valle
- Valvola di drenaggio automatico
- Finitura diversa dallo Standard SA
- Per ulteriori opzioni o versioni speciali contattare SA Fire Protection

Optional

- Control trim
- Diaphragm position monitoring system
- Connection for additional main drain valve downstream
- Automatic drain valve
- Finish different from Standard SA
- For additional options or special versions contact SA Fire Protection

Note:

(1) La massima pressione di esercizio può essere limitata dalla flangiatura selezionata e dalla tipologia di trim di controllo.

(2) Alcuni accessori e opzioni proposti potrebbero non essere coperti da certificazione UL. Per maggiori informazioni verificare i dettagli dell'approvazione o contattare SA Fire Protection

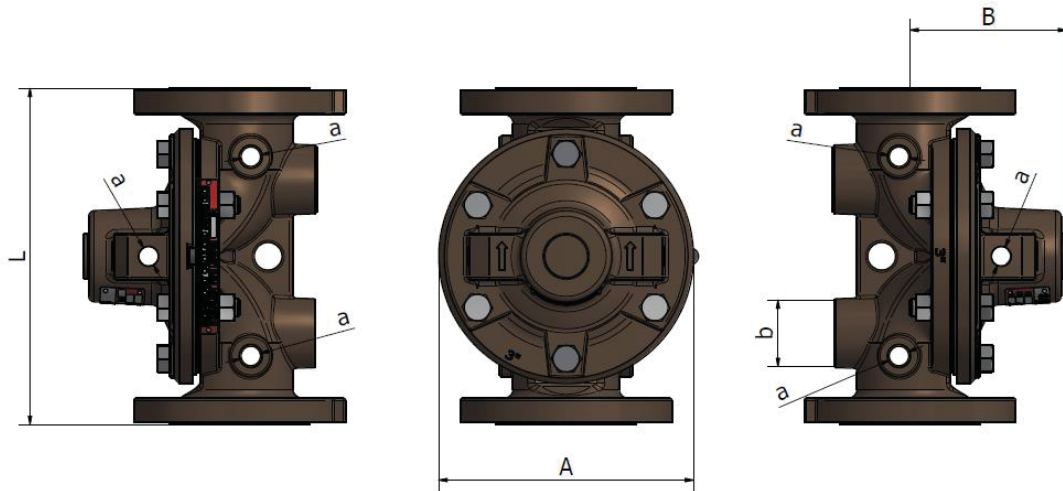
(3) Lunghezza equivalente riferita alla velocità di 4,57 m/s, tubo SCH 40 e C-factor = 120

Notes:

(1) The maximum working pressure could be limited by the selected flange and control trim type.

(2) Some of the proposed accessories and options may not be covered by the UL Listing. For more details refer to the Approval details or contact SA Fire Protection

(3) Equivalent length calculated at 15 ft/s, pipe SCH 40 and C-factor = 120



Ø Corpo Ø Body	Flangia Flange	L	A	B	a	b	Peso ⁽⁴⁾ Weight ⁽⁴⁾
		mm	mm	mm	Ø NPT	Ø NPT	kg
2" (DN 50)	ANSI 150 RF	245,0	170	92	1/2"	3/4"	10,4
	ANSI 150 FF	241,8					
	ANSI 300 RF	251,0					
	ANSI 300 FF	247,8					
	UNI EN 1092-1 PN16	243,0					
	UNI EN 1092-1 PN25	247,0					
2 1/2" (DN 65)	ANSI 150 RF	300,4	230	141	1/2"	1 1/4"	21,0
	ANSI 150 FF	297,2					
	ANSI 300 RF	306,0					
	ANSI 300 FF	302,8					
	UNI EN 1092-1 PN16	292,0					
	UNI EN 1092-1 PN25	304,0					
3" (DN 80)	ANSI 150 RF	303,6	230	141	1/2"	1 1/4"	22,6
	ANSI 150 FF	300,4					
	ANSI 300 RF	313,2					
	ANSI 300 FF	310,0					
	UNI EN 1092-1 PN16	296,0					
	UNI EN 1092-1 PN25	304,0					
4" (DN 100)	ANSI 150 RF	337,9	260	145	1/2"	2"	30,5
	ANSI 150 FF	334,7					
	ANSI 300 RF	353,7					
	ANSI 300 FF	350,5					
	UNI EN 1092-1 PN16	334,3					
	UNI EN 1092-1 PN25	342,3					

Prosegue alla pagina seguente / Continue to the next page

Note:

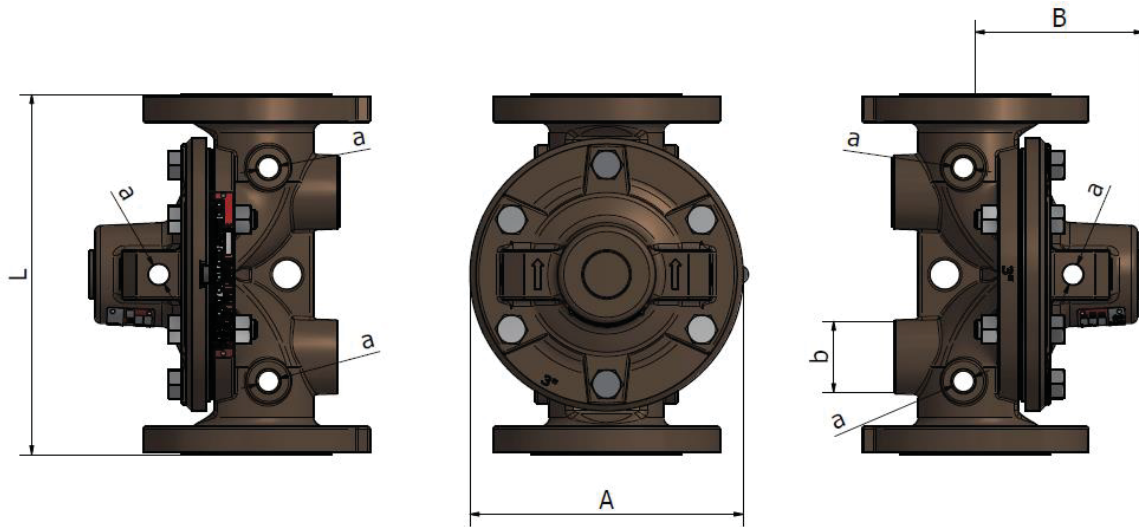
(4) Peso riferito alla valvola con flange ANSI 150 RF

Notes:

(4) Weight refers to the valve with flanges ANSI 150 RF

Dimensioni e Pesì

Dimensions and Weights



Ø Corpo Ø Body	Flangia Flange	L	A	B	a	b	Peso ⁽⁴⁾ Weight ⁽⁴⁾
		mm	mm	mm	Ø NPT	Ø NPT	kg
6" (DN 150)	ANSI 150 RF	413,3	325	219,5	1/2"	2"	55,6
	ANSI 150 FF	410,1					
	ANSI 300 RF	435,5					
	ANSI 300 FF	432,3					
	UNI EN 1092-1 PN16	410,5					
	UNI EN 1092-1 PN25	422,5					
8" (DN 200)	ANSI 150 RF	527,2	400	294	1/2"	2"	91,0
	ANSI 150 FF	524,0					
	ANSI 300 RF	552,2					
	ANSI 300 FF	551,0					
	UNI EN 1092-1 PN16	522,0					
	UNI EN 1092-1 PN25	534,0					
10" (DN 250)	ANSI 150 RF	630,4	495	321	1/2"	2"	157,6
	ANSI 150 FF	627,2					
	ANSI 300 RF	666,0					
	ANSI 300 FF	662,8					
	UNI EN 1092-1 PN16	634,0					
	UNI EN 1092-1 PN25	642,0					

Note:

(4) Peso riferito alla valvola con flange ANSI 150 RF

Notes:

(4) Weight refers to the valve with flanges ANSI 150 RF

Principio di funzionamento

La valvola a diluvio Mod. VD è suddivisa in tre camere: una camera di ingresso collegata al sistema di alimentazione idrico, una camera di uscita che conduce al sistema di spegnimento ed una camera di controllo alimentata dal trim. Le camere di ingresso e di uscita sono separate dalla camera di controllo tramite la membrana.

In normale esercizio (valvola chiusa) la camera di controllo è mantenuta in pressione dalla linea principale attraverso il trim. Tale pressione fa aderire la membrana all'apposita sede di contatto ricavata nel corpo valvola, garantendo la tenuta necessaria per mantenere la valvola chiusa.

In caso di incendio (valvola aperta) l'apertura di un dispositivo di apertura automatico o manuale del trim determina il deflusso dell'acqua contenuta nella camera di controllo. La pressione della linea principale risulta quindi in grado di separare la membrana dalla sede di contatto sul corpo valvola, aprendo completamente la valvola e consentendo il flusso dell'acqua verso l'impianto di spegnimento e gli eventuali dispositivi di allarme.

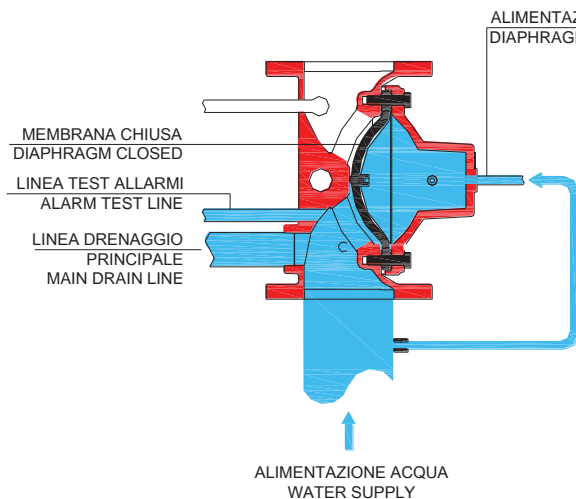
Principle of operation

The deluge valve Mod. VD has an inlet chamber, an outlet chamber and a priming chamber. The inlet chamber and the outlet chamber are separated from the priming chamber by the diaphragm.

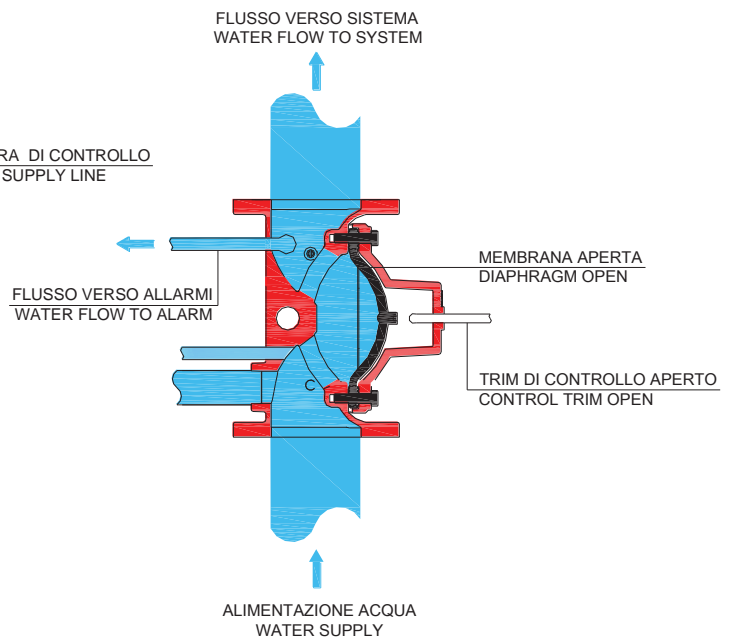
In normal operating conditions (valve closed) the water is supplied to the priming chamber through the trim. The pressure of the water trapped in the priming chamber holds the diaphragm on the valve seat, keeping the valve closed.


In fire conditions (valve open) the pressure is released from the control chamber by an automatic or manual release device of the control trim. The water supply pressure in the inlet chamber forces the diaphragm off from seat, allowing water to flow into the system and the alarm devices.

**VALVOLA CHIUSA
VALVE CLOSED**



**VALVOLA APERTA
VALVE OPEN**



 ACQUA IN PRESSIONE
WATER PRESSURE

Codice Identificativo
Identification Form

OPZIONI / OPTIONS

Mod. **VD** / / / / / / / / /

1
 2
 3
 4
 5
 6
 7
 8
 9

Quantità / Quantity

VALVOLA A DILUVIO VD / DELUGE VALVE VD					
TIPOLOGIA TYPE	1	Tipologia Type	Valvola a diluvio a membrana Diaphragm type deluge valve	VD <input checked="" type="checkbox"/>	
CORPO BODY	2	Materiale Material	Nichel Alluminio Bronzo ASTM B148 C95800 Nickel Aluminum Bronze ASTM B148 C95800	CBA10 <input type="checkbox"/>	Materiale standard Standard material
			Bronzo EN 1982 – CC491K Bronze EN 1982 – CC491K	CBG10 <input type="checkbox"/>	
			Acciaio inox AISI 316 Stainless steel AISI 316	CAI12 <input type="checkbox"/>	
	3	Dimensione Size	2"	2 <input type="checkbox"/>	
			2 1/2"	2M <input type="checkbox"/>	
			3"	3 <input type="checkbox"/>	
			4"	4 <input type="checkbox"/>	
6"			6 <input type="checkbox"/>		
8"			8 <input type="checkbox"/>		
FLANGIA FLANGE	4	Tipologia Type	ANSI 150lb RF	150RF <input type="checkbox"/>	Tipologia standard Standard type
			ANSI 150lb FF	150FF <input type="checkbox"/>	
			ANSI 300lb RF	300RF <input type="checkbox"/>	
			ANSI 300lb FF	300FF <input type="checkbox"/>	
			UNI EN PN16	PN16 <input type="checkbox"/>	
			UNI EN PN25	PN25 <input type="checkbox"/>	
			Altro Other	F <input type="checkbox"/>	Specificare in Note la tipologia di flangia richiesta. Specify in Notes the type of flange requested.
OPZIONI OPTIONS	5	Trim	Valvola a diluvio elettrica Deluge valve electric	D/E <input type="checkbox"/>	Specificare in Note materiali e accessori richiesti. Specify in Notes materials and accessories requested.
			Valvola a diluvio elettro-pneumatica Deluge valve electro-pneumatic	D/EP <input type="checkbox"/>	Specificare in Note materiali e accessori richiesti. Specify in Notes materials and accessories requested.
			Valvola a diluvio pneumatica Deluge valve pneumatic	D/P <input type="checkbox"/>	Specificare in Note materiali e accessori richiesti. Specify in Notes materials and accessories requested.
			Valvola a diluvio idraulica Deluge valve hydraulic	D/I <input type="checkbox"/>	Specificare in Note materiali e accessori richiesti. Specify in Notes materials and accessories requested.

Prosegue alla pagina seguente / Continue to the next page

OPZIONI OPTIONS	5	Trim	Valvola a diluvio ON/OFF elettrica Deluge valve ON/OFF electric	OF/E <input type="checkbox"/>	Specificare in Note materiali e accessori richiesti. Specify in Notes materials and accessories requested.
			Valvola a diluvio ON/OFF elettro-pneumatica Deluge valve ON/OFF electro-pneumatic	OF/EP <input type="checkbox"/>	Specificare in Note materiali e accessori richiesti. Specify in Notes materials and accessories requested.
			Valvola a preazione a singolo interblocco elettrico Preaction valve single interblock electric	P/E <input type="checkbox"/>	Specificare in Note materiali e accessori richiesti. Specify in Notes materials and accessories requested.
			Valvola a preazione a singolo interblocco pneumatico Preaction valve single interblock pneumatic	P/P <input type="checkbox"/>	Specificare in Note materiali e accessori richiesti. Specify in Notes materials and accessories requested.
			Valvola a preazione a doppio interblocco elettro-pneumatico Preaction valve double interblock electro-pneumatic	P/EP <input type="checkbox"/>	Specificare in Note materiali e accessori richiesti. Specify in Notes materials and accessories requested.
			Valvola a preazione a doppio interblocco pneumatico-pneumatico Preaction valve double interblock pneumatic-pneumatic	P/PP <input type="checkbox"/>	Specificare in Note materiali e accessori richiesti. Specify in Notes materials and accessories requested.
			Valvola riduttrice di pressione elettrica Pressure reducing valve electric	RP/E <input type="checkbox"/>	Specificare in Note materiali e accessori richiesti. Specify in Notes materials and accessories requested.
			Valvola riduttrice di pressione elettro-pneumatica Pressure reducing valve electro-pneumatic	RP/EP <input type="checkbox"/>	Specificare in Note materiali e accessori richiesti. Specify in Notes materials and accessories requested.
			Valvola riduttrice di pressione ON/OFF elettrica Pressure reducing valve ON/OFF electric	RPOF/E <input type="checkbox"/>	Specificare in Note materiali e accessori richiesti. Specify in Notes materials and accessories requested.
			Valvola riduttrice di pressione ON/OFF elettro-pneumatica Pressure reducing valve ON/OFF electro-pneumatic	RPOF/EP <input type="checkbox"/>	Specificare in Note materiali e accessori richiesti. Specify in Notes materials and accessories requested.
			Altro Other	T <input type="checkbox"/>	Specificare in Note la tipologia di trim richiesta. Specify in Notes the type of control trim requested.
	6	Limit switch	Sensore di posizione IP per membrana Diaphragm Position Monitoring System IP	DPMS <input type="checkbox"/>	
			Sensore di posizione ATEX per membrana Diaphragm Position Monitoring System ATEX	DPMSA <input type="checkbox"/>	
7	Drenaggio principale aggiuntivo Additional main drain	Predisposizione attacco drenaggio principale aggiuntivo a valle Connection for additional main drain valve downstream	2MD <input type="checkbox"/>		
8	Drenaggio automatico Automatic drain	Corpo Nichel Alluminio Bronzo, parti interne Acciaio inox Body Nickel Aluminum Bronze, internal parts Stainless steel	DABA <input type="checkbox"/>		
		Corpo Acciaio inox, parti interne Nichel Alluminio Bronzo Body Stainless steel, internal parts Nickel Aluminum Bronze	DAAI <input type="checkbox"/>		
		Corpo Nichel Alluminio Bronzo, parti interne Monel Body Nickel Aluminum Bronze, internal parts Monel	DAMO <input type="checkbox"/>		

Prosegue alla pagina seguente / Continue to the next page

Diagrammi Prestazioni

Performance Diagrams

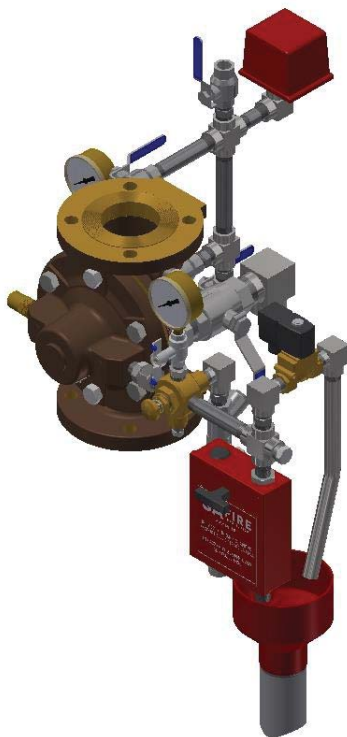
Dimensione / Size	Portata (L/min) / Perdita di carico (bar)	Flow rate (gpm) / Friction loss (psi)
VD 2"		
VD 2 1/2"		
VD 3"		
VD 4"		

Diagrammi Prestazioni

Performance Diagrams

Dimensione / Size	Portata (L/min) / Perdita di carico (bar)	Flow rate (gpm) / Friction loss (psi)
VD 6"		
VD 8"		
VD 10"		

VALVOLA A DILUVIO ELETTRICA MOD. VD/D/E
DELUGE VALVE ELECTRIC MOD. VD/D/E



Descrizione



La valvola Mod. VD/D/E è una valvola a diluvio ad azionamento elettrico disponibile nelle dimensioni da 2" (DN 50) a 10" (DN 250).

Le valvole a diluvio Mod. VD/D/E sono utilizzate per il controllo del flusso di acqua o acqua/schiuma in impianti water spray o schiuma con sistema di rivelazione di tipo elettrico. Quando dotate dei relativi accessori (pressostati, campana idraulica) sono in grado di azionare gli allarmi all'attivazione del sistema.

In condizione di normale esercizio la valvola a diluvio elettrica VD/D/E è mantenuta chiusa dalla pressione dell'acqua nella camera di controllo. In caso di incendio l'apertura della elettrovalvola installata sul trim di controllo determina il deflusso dell'acqua dalla camera di controllo e l'apertura della valvola sotto l'effetto della pressione della linea di alimentazione. L'apertura della valvola può essere operata inoltre manualmente utilizzando il relativo dispositivo di apertura manuale di emergenza sul trim di controllo. Il trim è inoltre predisposto per la connessione di un eventuale comando manuale remoto.

La valvola a diluvio elettrica Mod. VD/D/E è disponibile in configurazione verticale o orizzontale. La valvola può essere riarmata dall'esterno senza necessità di essere aperta. Il coperchio di ispezione consente la manutenzione della valvola e la sostituzione della membrana mantenendo la valvola montata sulla linea principale.

I materiali di costruzione rendono la valvola a diluvio idonea per l'impiego con acqua di mare o soluzioni schiumogene all'interno di ambienti industriali ad alta aggressività o in applicazioni offshore.

Description



The valve Mod. VD/D/E is a deluge valve with electric actuation available in diameter sizes from 2" (DN 50) to 10" (DN 250).

The deluge valves Mod. VD/D/E are used to control water or foam/water flow in water spray or foam fire protection systems monitored by electric fire detection system. When equipped with the relevant accessories (pressure switch, water motor alarm), they can provide actuation of fire alarms upon system operation.

In normal operating conditions the deluge valve electric VD/D/E is held closed by the water pressure in the control chamber. In fire conditions water is released from the control chamber through the opening of the solenoid valve in the control trim, and the valve latches open under the effect of the water supply pressure. The valve can be manually open through the emergency manual release on the control trim. The trim is also provided with the connection for an optional remote manual control.

The deluge valve electric Mod. VD/D/E is available in vertical or horizontal configuration. It is designed for external resetting, without opening the valve. The cover plate allows in-line maintenance and field replace of the diaphragm to be performed. The materials of construction make it suitable for being used with sea water or water foam solution within industrial harsh environments & offshore applications.

Caratteristiche tecniche

Valvola:

- Materiali corpo a scelta tra:
 - Nichel Alluminio Bronzo ASTM B148 C95800
 - Bronzo EN 1982 – CC491K
 - Acciaio inox AISI 316 ASTM A351 Gr. CF8M
- Materiale membrana: EPDM rinforzato
- Vite di serraggio coperchio: Acciaio inox AISI 316
- Flange disponibili ANSI B16.5 / B16.24 o UNI EN 1092-1
- Pressione di progetto ⁽¹⁾: 26 bar
- Pressione di test: 41,4 bar
- Temperatura dell'acqua: da 0,5°C a 90°C
- Minima pressione di esercizio: 1,38 bar (20 psi)
- Valvola di drenaggio principale a monte
- Predisposizione attacco linea di comando manuale remoto ⁽²⁾

Finitura:

- Al naturale

Trim di controllo:

- Tubi / raccordi / valvole / drenaggio principale:
 - Acciaio inox AISI 316/316L
 - Monel/Bronzo/Nichel Alluminio Bronzo
- Accessori (riarmo manuale, valvola di sfiato manuale):
 - Corpo Nichel Alluminio Bronzo, parti interne Acciaio inox
 - Corpo Acciaio inox, parti interne Nichel Alluminio Bronzo
 - Corpo Nichel Alluminio Bronzo, parti interne Monel
- Manometri acqua:
 - PGW101 – Acciaio inox, 0 – 300 psi / 0 – 2050 kPa, 4" x 1/4"
 - PG111 – Ottone, 0 – 600 psi, 2 1/2" x 1/4"
 - PG232 – Acciaio inox, 0 – 25 bar, 100 mm x 1/4"
 - PG262 – Acciaio inox/Monel, 0 – 25 bar, 100 mm x 1/4"
 - PG232 – Acciaio inox, 0 – 40 bar, 100 mm x 1/4"
 - PG262 – Acciaio inox/Monel, 0 – 40 bar, 100 mm x 1/4"
- Configurazione trim:
 - Trim verticale
 - Trim orizzontale
 - Trim a pannello

Technical characteristics

Valve:

- Body materials to be selected among:
 - Nickel Aluminum Bronze ASTM B148 C95800
 - Bronze EN 1982 – CC491K
 - Stainless steel AISI 316 ASTM A351 Gr. CF8M
- Diaphragm material: EPDM fabric reinforced
- Nuts and bolts material: Stainless steel AISI 316
- Flanges ANSI B16.5 / B16.24 or UNI EN 1092-1
- Design pressure ⁽¹⁾: 26 bar
- Test pressure: 41,4 bar
- Water temperature: from 0,5 °C to 90°C
- Minimum working pressure: 1.38 bar (20 psi)
- Main drain valve upstream
- Connection for remote emergency manual release line ⁽²⁾

Finish:

- Natural

Control trim:

- Tubing / fittings / valves / main drain valve:
 - Stainless steel AISI 316/316L
 - Monel/Bronze/Nickel Aluminum Bronze
- Accessories (manual reset, manual vent valve):
 - Body Nickel Aluminum Bronze, internal parts Stainless steel
 - Body Stainless steel, internal parts Nickel Aluminum Bronze
 - Body Nickel Aluminum Bronze, internal parts Monel
- Water pressure gauges:
 - PGW101 - Stainless steel, 0 - 300 psi / 0 - 2050 kPa, 4" x 1/4"
 - PG111 – Brass, 0 – 600 psi, 2 1/2" x 1/4"
 - PG232 – Stainless steel, 0 – 25 bar, 100 mm x 1/4"
 - PG262 – Stainless steel/Monel, 0 – 25 bar, 100 mm x 1/4"
 - PG232 – Stainless steel, 0 – 40 bar, 100 mm x 1/4"
 - PG262 – Stainless steel/Monel, 0 – 40 bar, 100 mm x 1/4"
- Trim configuration:
 - Vertical trim
 - Horizontal trim
 - Panel mounted trim

Prosegue alla pagina seguente / Continue to the next page

Note:

(1) La massima pressione di esercizio può essere limitata dalla flangiatura e dalla elettrovalvola selezionata

(2) Per il comando manuale di emergenza vedi DS N.30.20.40.60.

Notes:

(1) The maximum working pressure could be limited by the selected flange type and solenoid valve

(2) For emergency manual release see DS N.30.20.40.60.

Caratteristiche tecniche

Elettrovalvola:

- Modelli disponibili:
 - SV5404 – Ottone, 2/2 vie servo-attuata
 - SV238 – Acciaio inox, 2/2 vie servo-attuata
 - SVICO4 – Acciaio inox, 3/2 vie azionamento diretto
 - SVICO4 – Nichel Alluminio Bronzo, 3/2 vie azionamento diretto
- Alimentazione:
 - 24 Vcc
 - 110 Vcc
 - 110 Vca
- Funzionamento:
 - Normalmente Chiusa NC
 - Normalmente Aperta NO
- Area di installazione:
 - Zona sicura
 - ATEX Zona 1 e 2

Technical characteristics

Solenoid valve:

- Models available:
 - SV5404 – Brass, 2/2 way with servo-piston
 - SV238 – Stainless steel, 2/2 way with servo-piston
 - SVICO4 – Stainless steel, 3/2 way direct acting
 - SVICO4 – Nickel Aluminum Bronze, 3/2 way direct acting
- Voltage:
 - 24 Vdc
 - 110 Vdc
 - 110 Vac
- Operation:
 - Normally Closed NC
 - Normally Open NO
- Installation area:
 - Safe Area
 - ATEX Zone 1 and 2

Certificazioni

- UL Listed ⁽³⁾

Certifications

- UL Listed ⁽³⁾

Prestazioni idrauliche

	Dimensione valvola						
	2"	2 1/2"	3"	4"	6"	8"	10"
K_v $((m^3/h)/\sqrt{bar})$	87	134	136	202	495	981	1156
$L_{eq}^{(4)}$ (m)	3,4	3,6	10,8	19,9	27,7	29,1	58,0

Hydraulic performance

	Valve size						
	2"	2 1/2"	3"	4"	6"	8"	10"
C_v (gpm/ \sqrt{psi})	101	156	158	236	577	1145	1348
$L_{eq}^{(4)}$ (ft)	11,3	11,8	35,6	65,3	91,0	95,6	223,0

Opzioni

- Sensore di posizione per membrana
- Drenaggio principale aggiuntivo a valle
- Valvola di drenaggio automatico
- Pressostato acqua linea allarme
- Trasmettitore di pressione acqua linea di allarme
- Campana idraulica
- Finitura diversa dallo Standard SA
- Per ulteriori opzioni o versioni speciali contattare SA Fire Protection

Optional

- Diaphragm position monitoring system
- Additional main drain valve downstream
- Automatic drain valve
- Alarm line water pressure switch
- Alarm line water pressure transmitter
- Water motor gong
- Finish different from Standard SA
- For additional options or special versions contact SA Fire Protection

Note:

(3) Alcuni accessori e opzioni proposti potrebbero non essere coperti da certificazione UL. Per maggiori informazioni verificare i dettagli dell'approvazione o contattare SA Fire Protection

(4) Lunghezza equivalente riferita alla velocità di 4,57 m/s, tubo SCH 40 e C-factor = 120

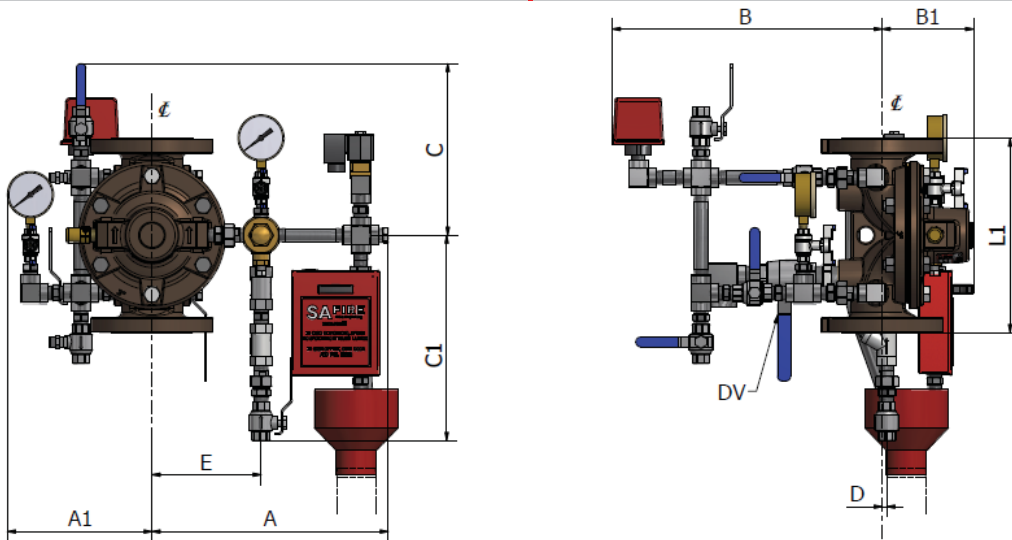
Notes:

(3) Some of the proposed accessories and options may not be covered by the UL Listing. For more details refer to the Approval details or contact SA Fire Protection

(4) Equivalent length calculated at 15 ft/s, pipe SCH 40 and C-factor = 120

Dimensioni e Pesi ⁽⁵⁾ – Trim verticale

Dimensions and Weights ⁽⁵⁾ – Vertical Trim



Ø Corpo Ø Body	Flangia Flange	L1	A	A1	B	B1	C	C1	D	E	DV	Peso Weight kg
		mm	mm	mm	mm	mm	mm	mm	mm	mm	Ø	
2" (DN 50)	ANSI 150 RF	245	340	212	421	127	238	320	6	141	3/4"	23,5
	ANSI 150 FF	242										
	ANSI 300 RF	251										
	ANSI 300 FF	248										
	UNI EN 1092-1 PN16	243										
	UNI EN 1092-1 PN25	247										
2 1/2" (DN 65)	ANSI 150 RF	300	369	226	422	142	268	320	7	170	1 1/4"	35,6
	ANSI 150 FF	297										
	ANSI 300 RF	306										
	ANSI 300 FF	303										
	UNI EN 1092-1 PN16	296										
	UNI EN 1092-1 PN25	300										
3" (DN 80)	ANSI 150 RF	300	369	226	422	143	268	320	7	170	1 1/4"	37,3
	ANSI 150 FF	297										
	ANSI 300 RF	306										
	ANSI 300 FF	303										
	UNI EN 1092-1 PN16	296										
	UNI EN 1092-1 PN25	300										
4" (DN 100)	ANSI 150 RF	338	384	237	422	151	275	320	16	185	2"	49
	ANSI 150 FF	335										
	ANSI 300 RF	354										
	ANSI 300 FF	350										
	UNI EN 1092-1 PN16	334										
	UNI EN 1092-1 PN25	342										

Prosegue alla pagina seguente / Continue to the next page

Note:

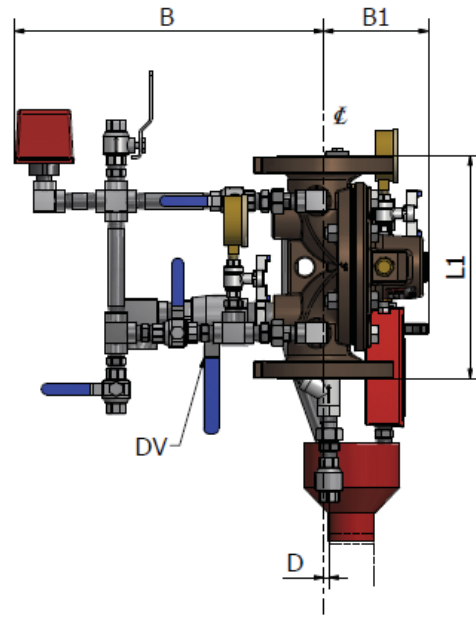
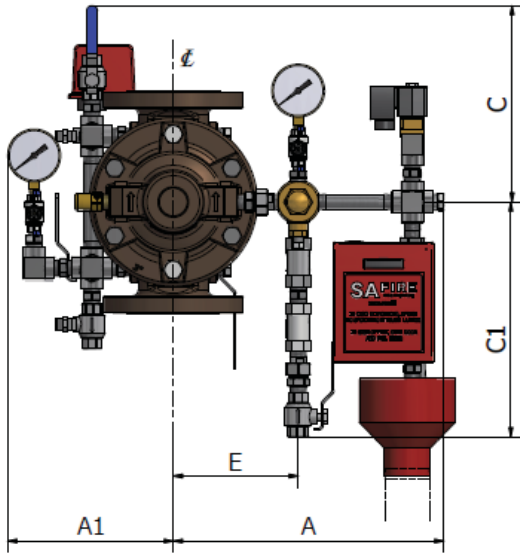
(5) Outline e dimensioni proposte si riferiscono alla versione UL. La configurazione del trim di controllo può variare in base agli accessori e alle opzioni selezionate. Peso riferito a flangia ANSI 150 RF.

Notes:

(5) Outline and dimensions refer to the UL version. The trim configuration may vary according to the accessories and the options selected. Weight referred to the flange ANSI 150 RF.

Dimensioni e Pesì ⁽⁵⁾ – Trim verticale

Dimensions and Weights ⁽⁵⁾ – Vertical Trim



Ø Corpo Ø Body	Flangia Flange	L1	A	A1	B	B1	C	C1	D	E	DV	Peso Weight
		mm	mm	mm	mm	mm	mm	mm	mm	mm	Ø	kg
6" (DN 150)	ANSI 150 RF	413	407	265	422	219	289	320	67	208	2"	74
	ANSI 150 FF	410										
	ANSI 300 RF	435										
	ANSI 300 FF	432										
	UNI EN 1092-1 PN16	410										
	UNI EN 1092-1 PN25	422										
8" (DN 200)	ANSI 150 RF	527	434	296	406	293	298	320	121	235	2"	109,8
	ANSI 150 FF	524										
	ANSI 300 RF	552										
	ANSI 300 FF	551										
	UNI EN 1092-1 PN16	522										
	UNI EN 1092-1 PN25	534										
10" (DN 250)	ANSI 150 RF	630	468	315	434	320	398	320	141	269	2"	176,3
	ANSI 150 FF	627										
	ANSI 300 RF	666										
	ANSI 300 FF	663										
	UNI EN 1092-1 PN16	634										
	UNI EN 1092-1 PN25	642										

Note:

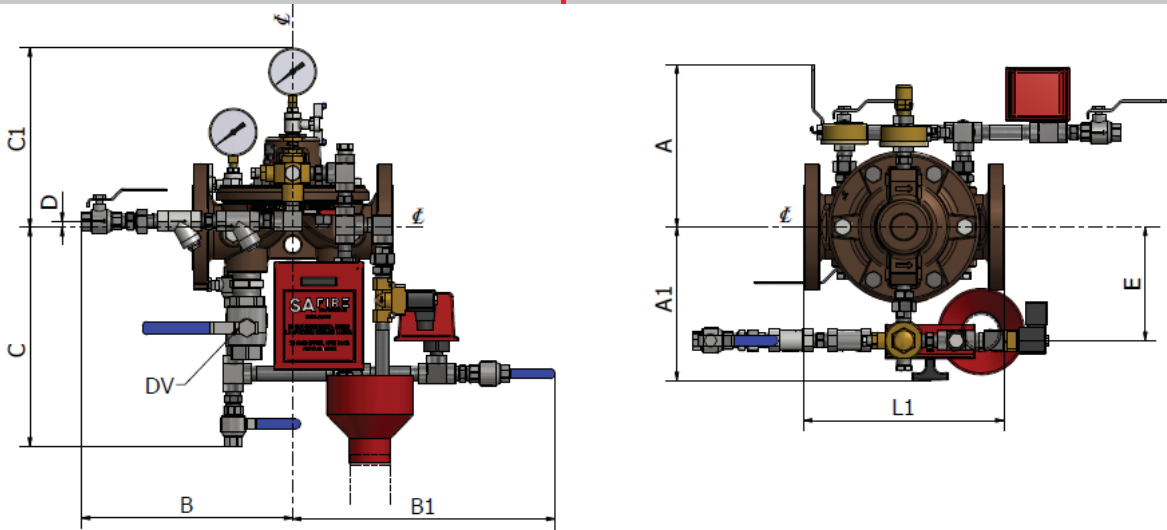
(5) Outline e dimensioni proposte si riferiscono alla versione UL. La configurazione del trim di controllo può variare in base agli accessori e alle opzioni selezionate. Peso riferito a flangia ANSI 150 RF.

Notes:

(5) Outline and dimensions refer to the UL version. The trim configuration may vary according to the accessories and the options selected. Weight referred to the flange ANSI 150 RF.

Dimensioni e Pesì (5) – Trim orizzontale

Dimensions and Weights (5) – Horizontal Trim



Ø Body Corpo	Flangia Flange	L1	A	A1	B	B1	C	C1	D	E	DV	Peso Weight
		mm	mm	mm	mm	mm	mm	mm	mm	mm	Ø	kg
2" (DN 50)	ANSI 150 RF	245	231	202	320	368	330	258	4	142	3/4"	23,2
	ANSI 150 FF	242										
	ANSI 300 RF	251										
	ANSI 300 FF	248										
	UNI EN 1092-1 PN16	243										
	UNI EN 1092-1 PN25	247										
2 1/2" (DN 65)	ANSI 150 RF	300	245	233	320	398	331	272	10	172	1 1/4"	34,7
	ANSI 150 FF	297										
	ANSI 300 RF	306										
	ANSI 300 FF	303										
	UNI EN 1092-1 PN16	296										
	UNI EN 1092-1 PN25	300										
3" (DN 80)	ANSI 150 RF	300	245	231	320	398	331	272	10	172	1 1/4"	36,4
	ANSI 150 FF	297										
	ANSI 300 RF	306										
	ANSI 300 FF	303										
	UNI EN 1092-1 PN16	296										
	UNI EN 1092-1 PN25	300										
4" (DN 100)	ANSI 150 RF	338	256	246	320	405	331	281	18	187	2"	47
	ANSI 150 FF	335										
	ANSI 300 RF	354										
	ANSI 300 FF	350										
	UNI EN 1092-1 PN16	334										
	UNI EN 1092-1 PN25	342										

Prosegue alla pagina seguente / Continue to the next page

Note:

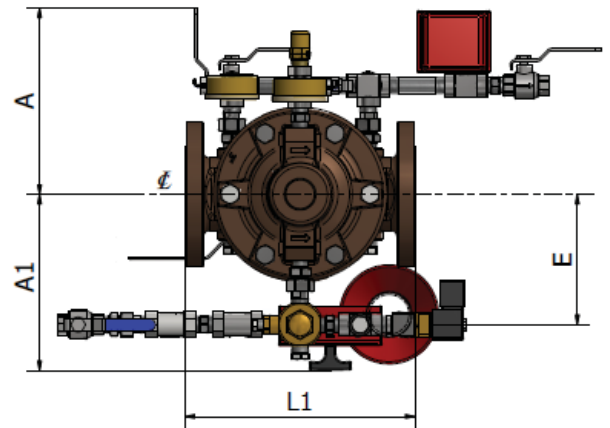
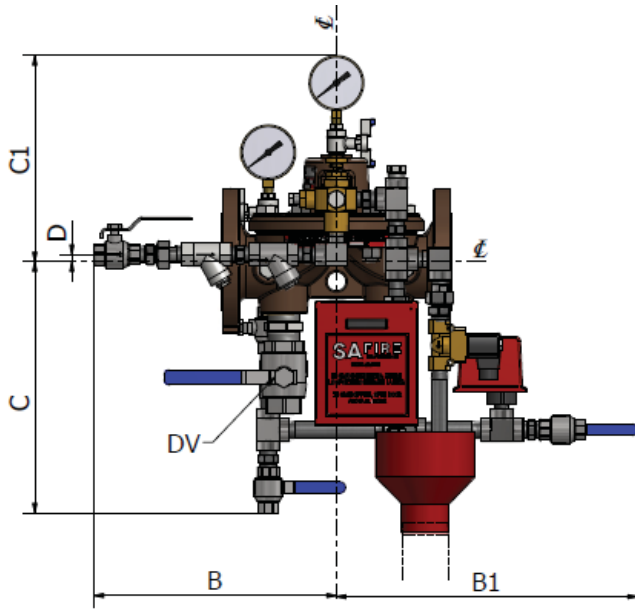
(5) Outline e dimensioni proposte si riferiscono alla versione UL. La configurazione del trim di controllo può variare in base agli accessori e alle opzioni selezionate. Peso riferito a flangia ANSI 150 RF.

Notes:

(5) Outline and dimensions refer to the UL version. The trim configuration may vary according to the accessories and the options selected. Weight referred to the flange ANSI 150 RF.

Dimensioni e Pesi ⁽⁵⁾ – Trim orizzontale

Dimensions and Weights ⁽⁵⁾ – Horizontal Trim



Ø Body Corpo	Flangia Flange	L1	A	A1	B	B1	C	C1	D	E	DV	Peso Weight
		mm	mm	mm	mm	mm	mm	mm	mm	mm	Ø	kg
6" (DN 150)	ANSI 150 RF	413	284	269	320	419	331	332	70	209	2"	72
	ANSI 150 FF	410										
	ANSI 300 RF	435										
	ANSI 300 FF	432										
	UNI EN 1092-1 PN16	410										
UNI EN 1092-1 PN25	422											
8" (DN 200)	ANSI 150 RF	527	315	296	320	428	303	386	124	236	2"	107,7
	ANSI 150 FF	524										
	ANSI 300 RF	552										
	ANSI 300 FF	551										
	UNI EN 1092-1 PN16	522										
UNI EN 1092-1 PN25	534											
10" (DN 250)	ANSI 150 RF	630	335	330	320	528	335	406	144	270	2"	174,3
	ANSI 150 FF	627										
	ANSI 300 RF	666										
	ANSI 300 FF	663										
	UNI EN 1092-1 PN16	634										
UNI EN 1092-1 PN25	642											

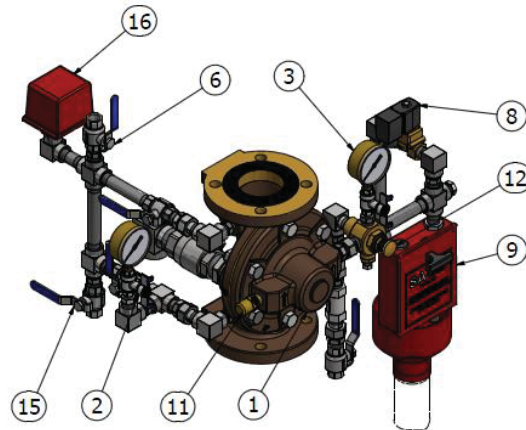
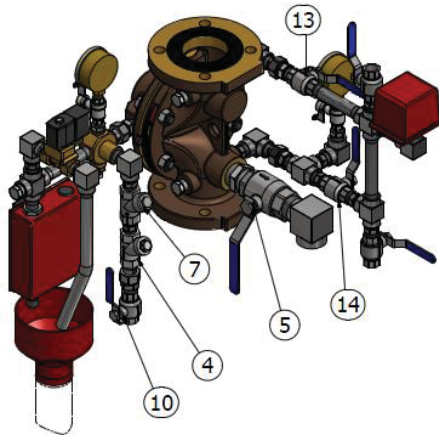
Note:

(5) Outline e dimensioni proposte si riferiscono alla versione UL. La configurazione del trim di controllo può variare in base agli accessori e alle opzioni selezionate. Peso riferito a flangia ANSI 150 RF.

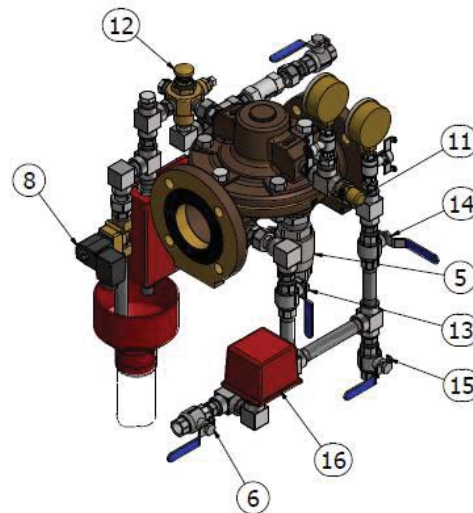
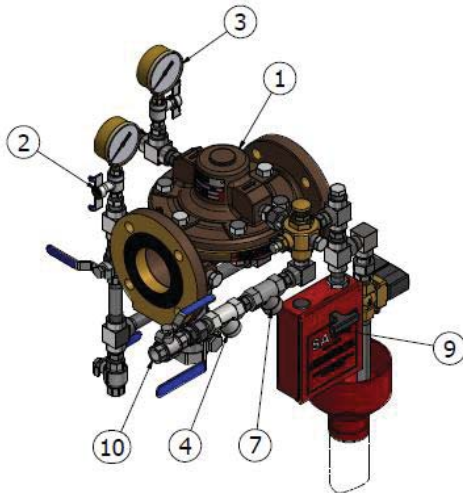
Notes:

(5) Outline and dimensions refer to the UL version. The trim configuration may vary according to the accessories and the options selected. Weight referred to the flange ANSI 150 RF.

VERTICAL



HORIZONTAL



Posizioni:

1. Valvola a diluvio
2. Valvola intercettazione manometro
3. Manometro
4. Filtro a Y
5. Valvola di drenaggio principale
6. Valvola intercettazione campana idraulica
7. Valvola di non ritorno
8. Elettrovalvola
9. Comando manuale di emergenza
10. Valvola alimentazione trim
11. Valvola di sfiato manuale
12. Riarmo manuale
13. Valvola isolamento allarmi NA
14. Valvola di test allarmi NC
15. Valvola drenaggio linea allarmi
16. Pressostato acqua di allarme

Items:

1. Deluge valve
2. Gauge isolation valve
3. Water pressure gauge
4. Y strainer
5. Main drain valve
6. Water gong isolation valve
7. Check valve
8. Solenoid valve
9. Emergency Manual Release
10. Priming valve water trim
11. Manual vent valve
12. Manual reset
13. NO alarm isolation valve
14. NC alarm test valve
15. Alarm line drain valve
16. Alarm water pressure switch

Note:

(6) Outline proposto si riferisce alla versione UL. La configurazione del trim di controllo può variare in base agli accessori e alle opzioni selezionate.

Notes:

(6) Outline refers to the UL version. The trim configuration may vary according to the accessories and the options selected.

Principio di funzionamento

In normale esercizio (valvola chiusa) la camera di controllo è mantenuta in pressione dalla linea principale attraverso il trim. Tale pressione fa aderire la membrana all'apposita sede di contatto ricavata nel corpo valvola, garantendo la tenuta necessaria per mantenere la valvola chiusa.

Il trim di controllo è mantenuto chiuso dalla elettrovalvola e dal comando manuale di emergenza.

In caso di incendio (valvola aperta) l'apertura della elettrovalvola tramite comando remoto determina il deflusso dell'acqua contenuta nella camera di controllo. La pressione della linea principale risulta quindi in grado di separare la membrana dalla sede di contatto sul corpo valvola, aprendo completamente la valvola e consentendo il flusso dell'acqua verso l'impianto di spegnimento e gli eventuali dispositivi di allarme.

La valvola a diluvio può essere in alternativa aperta localmente tramite il comando manuale di emergenza.

Il riarmo manuale blocca l'afflusso di acqua alla camera di controllo, mantenendo la valvola a diluvio aperta.

Principle of operation

In normal operating conditions (valve closed) the water is supplied to the priming chamber through the trim. The pressure of the water trapped in the priming chamber holds the diaphragm on the valve seat, keeping the valve closed.

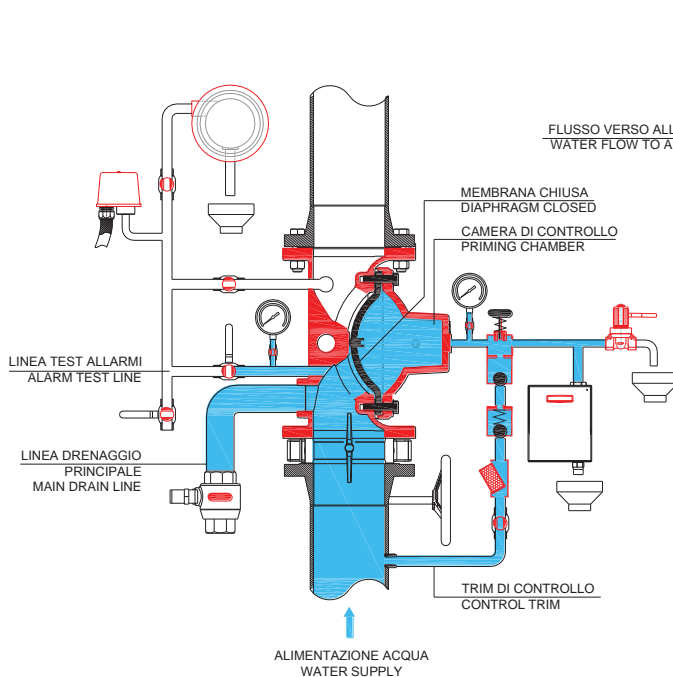
The control trim is held closed by the solenoid valve and the emergency manual release.

In fire conditions (valve open) the opening of the solenoid valve via remote signal releases the pressure from the control chamber. The water supply pressure in the inlet chamber forces the diaphragm off from seat, allowing water to flow into the system and the alarm devices.

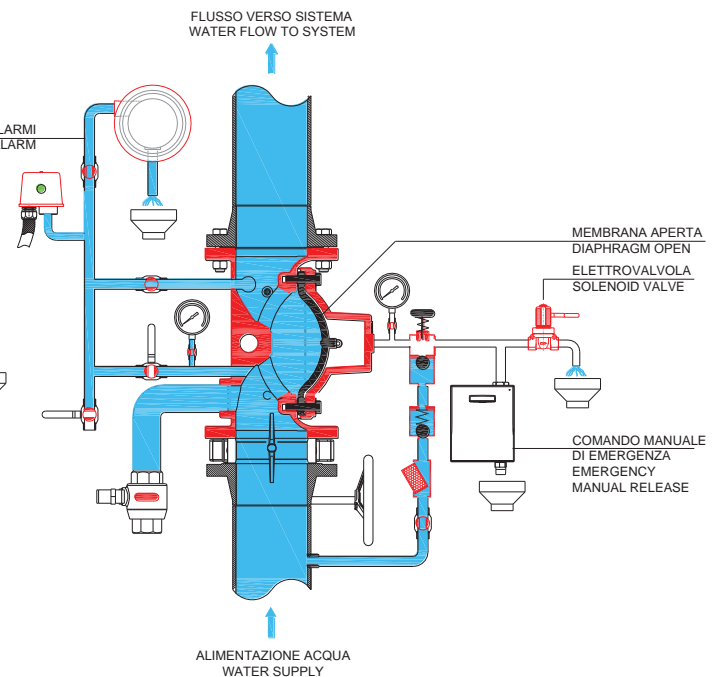
Alternatively, the deluge valve can be opened locally through the emergency manual release.

The manual reset prevents water from entering the control chamber, keeping the deluge valve in open position.

**VALVOLA CHIUSA
VALVE CLOSED**



**VALVOLA APERTA
VALVE OPEN**



■ ACQUA IN PRESSIONE
WATER PRESSURE

Codice Identificativo
Identification Form

Mod. / / /

1

2

3

4

5

6

7

8

9

10

11

12

13

OPZIONI/OPTIONS

14

15

16

17

18

19

20

Quantità / Quantity

VALVOLA A DILUVIO ELETTRICA VD/D/E / DELUGE VALVE ELECTRIC VD/D/E

TIPOLOGIA TYPE	1	Tipologia Type	Valvola a diluvio elettrica Deluge valve electric	VD/D/E <input type="checkbox"/>	
VALVOLA VALVE	2	Materiale Material	Nichel Alluminio Bronzo ASTM B148 C95800 Nickel Aluminum Bronze ASTM B148 C95800	CBA10 <input type="checkbox"/>	Materiale standard Standard material
			Bronzo EN 1982 – CC491K Bronze EN 1982 – CC491K	CBG10 <input type="checkbox"/>	
			Acciaio inox AISI 316 Stainless steel AISI 316	CAI12 <input type="checkbox"/>	
	3	Dimensione Size	2"	2 <input type="checkbox"/>	
			2 1/2"	2M <input type="checkbox"/>	
			3"	3 <input type="checkbox"/>	
			4"	4 <input type="checkbox"/>	
			6"	6 <input type="checkbox"/>	
			8"	8 <input type="checkbox"/>	
			10"	10 <input type="checkbox"/>	
	4	Flangia Flange	ANSI 150 RF	150RF <input type="checkbox"/>	Tipologia standard Standard type
			ANSI 150 FF	150FF <input type="checkbox"/>	
			ANSI 300 RF	300RF <input type="checkbox"/>	
ANSI 300 FF			300FF <input type="checkbox"/>		
UNI EN PN16			PN16 <input type="checkbox"/>		
UNI EN PN25			PN25 <input type="checkbox"/>		
Altro Other			F <input type="checkbox"/>	Specificare in Note la tipologia di flangia richiesta Specify in Notes the type of flange requested	
TRIM	5	Configurazione Configuration	Trim verticale Vertical trim	TV <input type="checkbox"/>	
			Trim orizzontale Horizontal trim	TH <input type="checkbox"/>	
			Trim a pannello Panel mounted trim	TP <input type="checkbox"/>	

Prosegue alla pagina seguente / Continue to the next page

TRIM	6	Tubi / raccordi / valvole / drenaggio principale Tubing / fittings / valves / main drain valve	Acciaio inox AISI 316/316L Stainless Steel AISI 316/316L	TAI <input type="checkbox"/>	
			Monel/Bronzo/Nichel Alluminio Bronzo Monel/Bronze/Nickel Aluminum Bronze	TMO <input type="checkbox"/>	
	7	Accessori (riarmo manuale, valvola di sfiato manuale) Accessories (manual reset, manual vent valve)	Corpo Nichel Alluminio Bronzo, parti interne Acciaio inox Body Nickel Aluminum Bronze, internal parts Stainless steel	ABA <input type="checkbox"/>	
			Corpo Acciaio inox, parti interne Nichel Alluminio Bronzo Body Stainless steel, internal parts Nickel Aluminum Bronze	AAI <input type="checkbox"/>	
			Corpo Nichel Alluminio Bronzo, parti interne Monel Body Nickel Aluminum Bronze, internal parts Monel	AMO <input type="checkbox"/>	
	8	Manometro Pressure gauge	PGW101 – Acciaio inox, scala 0 – 300 psi PGW101 – Stainless steel, span 0 – 300 spi	PGW101 <input type="checkbox"/>	
			PG111 – Ottone, scala 0 – 600 psi. PG111 – Brass, span 0 – 600 psi	PG111 <input type="checkbox"/>	
			PG232 – Acciaio inox, scala 0 – 25 bar PG232 – Stainless steel, span 0 – 25 bar	PG23225 <input type="checkbox"/>	
PG262 – Acciaio inox/Monel, scala 0 – 25 bar PG262 – Stainless steel/Monel, span 0 – 25 bar			PG26225 <input type="checkbox"/>		
PG232 – Acciaio inox, scala 0 – 40 bar PG232 – Stainless steel, span 0 – 40 bar			PG23240 <input type="checkbox"/>		
PG262 – Acciaio inox/Monel, scala 0 – 40 bar PG262 – Stainless steel/Monel, span 0 – 40 bar			PG26240 <input type="checkbox"/>		
ELETTROVALVOLA SOLENOID VALVE	9	Modello Modello	SV5404 – Ottone, 2/2 vie servo-attuata SV5404 – Brass, 2/2 way with servo-piston	SV5404 <input type="checkbox"/>	
			SV238 – Acciaio inox, 2/2 vie servo-attuata SV238 – Stainless steel, , 2/2 way with servo-piston	SV238 <input type="checkbox"/>	
			SVICO4 – Acciaio inox, 3/2 vie azionamento diretto SVICO4 – Stainless steel, 3/2 way direct acting	SVICO4AI <input type="checkbox"/>	
			SVICO4 – Nichel Alluminio Bronzo, 3/2 vie azionamento diretto SVICO4 – Nickel Aluminum Bronze, 3/2 way direct acting	SVICO4BA <input type="checkbox"/>	****
	10	Alimentazione Voltage	24 Vcc 24 Vdc	24DC <input type="checkbox"/>	
			110 Vcc 110 Vdc	110DC <input type="checkbox"/>	
			110 Vca 110 Vac	110AC <input type="checkbox"/>	
			Altro Other	V <input type="checkbox"/>	Specificare in Note l'alimentazione richiesta Specify in Notes the voltage requested
	11	Funzionamento Operation	Normalmente chiusa Normally closed	NC <input type="checkbox"/>	
			Normalmente aperta Normally open	NO <input type="checkbox"/>	
	12	Riarmo manual Manual reset	Leva di blocco automatica Automatic latching lever	ALL <input type="checkbox"/>	Specificare solo se richiesto. Disponibile solo per Mod. SVICO4. Tale dispositivo sostituisce il riarmo manuale del trim. Specify only if requested. Available only for Mod. SVICO4. This device replace the manual reset on the trim.
	13	Area di installazione Area of installation	Area sicura Safe area	S <input type="checkbox"/>	Non disponibile per Mod. SVICO4 Not available for Mod. SVICO4
			ATEX – Zona 1 e 2 ATEX – Zone 1 e 2	A1 <input type="checkbox"/>	

Prosegue alla pagina seguente / Continue to the next page

OPZIONI OPTIONS	14	Limit switch	Sensore di posizione IP per membrana Diaphragm Position Monitoring System IP	DPMS <input type="checkbox"/>		
			Sensore di posizione ATEX per membrana Diaphragm Position Monitoring System ATEX	DPMSA <input type="checkbox"/>		
	15	Drenaggio principale aggiuntivo Additional main drain	Seconda valvola di drenaggio principale a valle Second main drain valve downstream	2MD <input type="checkbox"/>		
	16	Drenaggio automatico Automatic drain	Corpo Nichel Alluminio Bronzo, parti interne Acciaio inox Body Nickel Aluminum Bronze, internal parts Stainless steel	DABA <input type="checkbox"/>		
			Corpo Acciaio inox, parti interne Nichel Alluminio Bronzo Body Stainless steel, internal parts Nickel Aluminum Bronze	DAAI <input type="checkbox"/>		
			Corpo Nichel Alluminio Bronzo, parti interne Monel Body Nickel Aluminum Bronze, internal parts Monel	DAMO <input type="checkbox"/>		
	17	Pressostato acqua di allarme Alarm water pressure switch	Zona sicura Safe Area	PS10 <input type="checkbox"/>		
ATEX – Zona 1 e 2 – Acciaio inox ATEX – Zona 1 e 2 – Stainless steel			PS9681H <input type="checkbox"/>			
ATEX – Zona 1 e 2 – Acciaio inox/Monel ATEX – Zona 1 e 2 – Stainless steel/Monel			PSUE12H <input type="checkbox"/>			
18	Trasmittitore di pressione acqua di allarme Alarm water pressure transmitter	ATEX – Zona 1 e 2 – Acciaio inox ATEX – Zona 1 e 2 – Stainless steel	PT3051HAI <input type="checkbox"/>			
		ATEX – Zona 1 e 2 – Monel ATEX – Zona 1 e 2 – Monel	PT3051HMO <input type="checkbox"/>			
19	Campana idraulica Water motor gong	Campana idraulica di allarme Water motor alarm gong	WG <input type="checkbox"/>			
20	Verniciatura Painting	Finitura diversa da standard SA Finishing different from SA standard	C <input type="checkbox"/>		Specificare in Note il ciclo di verniciatura richiesta. Specify in Notes the painting procedure required.	
NOTE NOTES						
CLIENTE / CLIENT:		PROGETTO / PROJECT:	DOC. No.:	REV.:		
EMESSO / ISSUED:		CONTROLLATO / CHECKED:	APPROVATO / APPROVED:			
DATA / DATE:		DATA / DATE:	DATA / DATE:			

VALVOLA A DILUVIO ELETTRO-PNEUMATICA MOD. VD/D/EP
DELUGE VALVE ELECTRO-PNEUMATIC MOD. VD/D/EP



Descrizione



La valvola Mod. VD/D/EP è una valvola a diluvio ad azionamento elettro-pneumatico disponibile nelle dimensioni da 2" (DN 50) a 10" (DN 250).

Le valvole a diluvio Mod. VD/D/EP sono utilizzate per il controllo del flusso di acqua o acqua/schiuma in impianti water spray o schiuma con sistema di rivelazione di tipo elettrico. Il trim di controllo è inoltre predisposto per il collegamento di una eventuale linea di rivelazione pneumatica per l'attivazione pneumatica della valvola a diluvio. Quando dotate dei relativi accessori (pressostati, campana idraulica) sono in grado di azionare gli allarmi all'attivazione del sistema.

In condizione di normale esercizio la valvola a diluvio elettro-pneumatica VD/D/EP è mantenuta chiusa dalla pressione dell'acqua nella camera di controllo. In caso di incendio l'apertura della elettrovalvola installata sul trim di controllo determina il deflusso dell'acqua dalla camera di controllo e l'apertura della valvola sotto l'effetto della pressione della linea di alimentazione. L'apertura della valvola può essere operata inoltre manualmente utilizzando il relativo dispositivo di apertura manuale di emergenza sul trim di controllo. Il trim è inoltre predisposto per la connessione di un eventuale comando manuale remoto sulla linea acqua e per la connessione di un eventuale comando aria remoto.

La valvola a diluvio elettro-pneumatica è consigliata per le applicazioni in cui è preferibile mantenere l'elettrovalvola sulla linea aria, come ad esempio quelle con acqua di mare o schiumogeno. La valvola a diluvio elettro-pneumatica Mod. VD/D/EP è disponibile in configurazione verticale o orizzontale. La valvola può essere riarmata dall'esterno senza necessità di essere aperta. Il coperchio di ispezione consente la manutenzione della valvola e la sostituzione della membrana mantenendo la valvola montata sulla linea principale.

I materiali di costruzione rendono la valvola a diluvio idonea per l'impiego con acqua di mare o soluzioni schiumogene all'interno di ambienti industriali ad alta aggressività o in applicazioni offshore.

Description



The valve Mod. VD/D/EP is a deluge valve with electro-pneumatic actuation available in diameter sizes from 2" (DN 50) to 10" (DN 250).

The deluge valves Mod. VD/D/EP are used to control water or foam/water flow in water spray or foam fire protection systems monitored by electric fire detection system. The control trim is also provided with a connection for an optional pneumatic heat detection line, for the pneumatic activation of the deluge valve. When equipped with the relevant accessories (pressure switch, water motor alarm), they can provide actuation of fire alarms upon system operation.

In normal operating conditions the deluge valve electro-pneumatic VD/D/EP is held closed by the water pressure in the control chamber. In fire conditions water is released from the control chamber through the opening of the solenoid valve in the control trim, and the valve latches open under the effect of the water supply pressure. The valve can be manually open through the emergency manual release on the control trim. The trim is also provided with a connection for an optional remote emergency manual release line and another connection for an optional remote air control line.

The deluge valve electro-pneumatic is recommended for those applications where it is preferable to keep the solenoid valve dry, such as those with sea water or foam concentrate. The deluge valve electro-pneumatic Mod. VD/D/EP is available in vertical or horizontal configuration. It is designed for external resetting, without opening the valve. The cover plate allows in-line maintenance and field replace of the diaphragm to be performed.

The materials of construction make it suitable for being used with sea water or water foam solution within industrial harsh environments & offshore applications.

Caratteristiche tecniche

Valvola:

- Materiali corpo a scelta tra:
 - Nichel Alluminio Bronzo ASTM B148 C95800
 - Bronzo EN 1982 – CC491K
 - Acciaio inox AISI 316 ASTM A351 Gr.CF8M
- Materiale membrana: EPDM rinforzato
- Vite di serraggio coperchio: Acciaio inox AISI 316
- Flange disponibili ANSI B16.5 / B16.24 o UNI EN 1092-1
- Pressione di progetto ⁽¹⁾: 26 bar
- Pressione di test: 41,4 bar
- Temperatura dell'acqua: da 0,5°C a 90°C
- Minima pressione di esercizio: 1,38 bar (20 psi)
- Valvola di drenaggio principale a monte
- Predisposizione attacco linea di comando manuale remoto ⁽²⁾
- Predisposizione attacco linea di comando remoto aria ⁽²⁾
- Predisposizione attacco linea di rivelazione pneumatica ⁽³⁾

Finitura:

- Al naturale

Trim di controllo:

- Tubi / raccordi / valvole / drenaggio principale linea acqua:
 - Acciaio inox AISI 316/316L
 - Monel/Bronzo/Nichel Alluminio Bronzo
- Tubi, raccordi e valvole linea aria: Acciaio inox AISI 316/316L
- Accessori (riarmo manuale, valvola di sfiato manuale, attuatore pneumatico Normalmente Aperto NO):
 - Corpo Nichel Alluminio Bronzo, parti interne Acciaio inox
 - Corpo Acciaio inox, parti interne Nichel Alluminio Bronzo
 - Corpo Nichel Alluminio Bronzo, parti interne Monel

Technical characteristics

Valve:

- Body materials to be selected among:
 - Nickel Aluminum Bronze ASTM B148 C95800
 - Bronze EN 1982 – CC491K
 - Stainless steel AISI 316 ASTM A351 Gr.CF8M
- Diaphragm material: EPDM fabric reinforced
- Nuts and bolts material: Stainless steel AISI 316
- Flanges ANSI B16.5 / B16.24 or UNI EN 1092-1
- Design pressure ⁽¹⁾: 26 bar
- Test pressure: 41,4 bar
- Water temperature: from 0,5 °C to 90°C
- Minimum working pressure: 1.38 bar (20 psi)
- Main drain valve upstream
- Connection for remote emergency manual release line ⁽²⁾
- Connection for remote air control line ⁽²⁾
- Connection for pneumatic heat detection line ⁽³⁾

Finish:

- Natural

Control trim:

- Tubing / fittings / valves / main drain valve for water line:
 - Stainless steel AISI 316/316L
 - Monel/Bronze/Nickel Aluminum Bronze
- Tubing, fittings and valves for air line: Stainless steel AISI 316/316L
- Accessories (manual reset, manual vent valve, pneumatic actuator Normally Open NO):
 - Body Nickel Aluminum Bronze, internal parts Stainless steel
 - Body Stainless steel, internal parts Nickel Aluminum Bronze
 - Body Nickel Aluminum Bronze, internal parts Monel

Prosegue alla pagina seguente / Continue to the next page

Note:

- (1) La massima pressione di esercizio può essere limitata dalla flangiatura e dalla elettrovalvola selezionata
- (2) Per il comando manuale di emergenza vedi DS N.30.20.40.60.
- (3) Per i tappi fusibili per la linea di rivelazione pneumatica vedi DS N.30.20.50.70.

Notes:

- (1) The maximum working pressure could be limited by the selected flange type and solenoid valve
- (2) For emergency manual release see DS N.30.20.40.60.
- (3) For fusible plugs for pneumatic heat detection line see DS N.30.20.50.70.

Caratteristiche tecniche

Trim di controllo:

- Manometri acqua:
 - PGW101 – Acciaio inox, 0 – 300 psi / 0 – 2050 kPa, 4" x 1/4"
 - PG111 – Ottone, 0 – 600 psi, 2 1/2" x 1/4"
 - PG232 – Acciaio inox, 0 – 25 bar, 100 mm x 1/4"
 - PG262 – Acciaio inox/Monel, 0 – 25 bar, 100 mm x 1/4"
 - PG232 – Acciaio inox, 0 – 40 bar, 100 mm x 1/4"
 - PG262 – Acciaio inox/Monel, 0 – 40 bar, 100 mm x 1/4"
- Manometro aria:
 - PGW102 – Acciaio inox, 0 – 80 – 250 psi / 0 – 550 - 1750 kPa, 4" x 1/4"
- Configurazione trim:
 - Trim verticale
 - Trim orizzontale
 - Trim a pannello

Elettrovalvola:

- Modelli disponibili:
 - SV5404 – Ottone, 2/2 vie servo-attuata
 - SV238 – Acciaio inox, 2/2 vie servo-attuata
 - SVICO4 – Acciaio inox, 3/2 vie azionamento diretto
 - SVICO4 – Nichel Alluminio Bronzo, 3/2 vie azionamento diretto
- Alimentazione:
 - 24 Vcc
 - 110 Vcc
 - 110 Vca
- Funzionamento:
 - Normalmente Chiusa NC
 - Normalmente Aperta NO
- Area di installazione:
 - Zona sicura
 - ATEX Zona 1 e 2

Technical characteristics

Control trim:

- Water pressure gauges:
 - PGW101 - Stainless steel, 0 - 300 psi / 0 - 2050 kPa, 4" x 1/4"
 - PG111 – Brass, 0 – 600 psi, 2 1/2" x 1/4"
 - PG232 – Stainless steel, 0 – 25 bar, 100 mm x 1/4"
 - PG262 – Stainless steel/Monel, 0 – 25 bar, 100 mm x 1/4"
 - PG232 – Stainless steel, 0 – 40 bar, 100 mm x 1/4"
 - PG262 – Stainless steel/Monel, 0 – 40 bar, 100 mm x 1/4"
- Air pressure gauge:
 - PGW102 – Stainless steel, 0 – 80 – 250 psi / 0 – 550 - 1750 kPa, 4" x 1/4"
- Trim configuration:
 - Vertical trim
 - Horizontal trim
 - Panel mounted trim

Solenoid valve:

- Models available:
 - SV5404 – Brass, 2/2 way with servo-piston
 - SV238 – Stainless steel, 2/2 way with servo-piston
 - SVICO4 – Stainless steel, 3/2 way direct acting
 - SVICO4 – Nickel Aluminum Bronze, 3/2 way direct acting
- Voltage:
 - 24 Vdc
 - 110 Vdc
 - 110 Vac
- Operation:
 - Normally Closed NC
 - Normally Open NO
- Installation area:
 - Safe Area
 - ATEX Zone 1 and 2

Certificazioni

- UL Listed ⁽⁴⁾

Certifications

- UL Listed ⁽⁴⁾

Note:

(4) Alcuni accessori e opzioni proposti potrebbero non essere coperti da certificazione UL. Per maggiori informazioni verificare i dettagli dell'approvazione o contattare SA Fire Protection

Notes:

(4) Some of the proposed accessories and options may not be covered by the UL Listing. For more details refer to the Approval details or contact SA Fire Protection

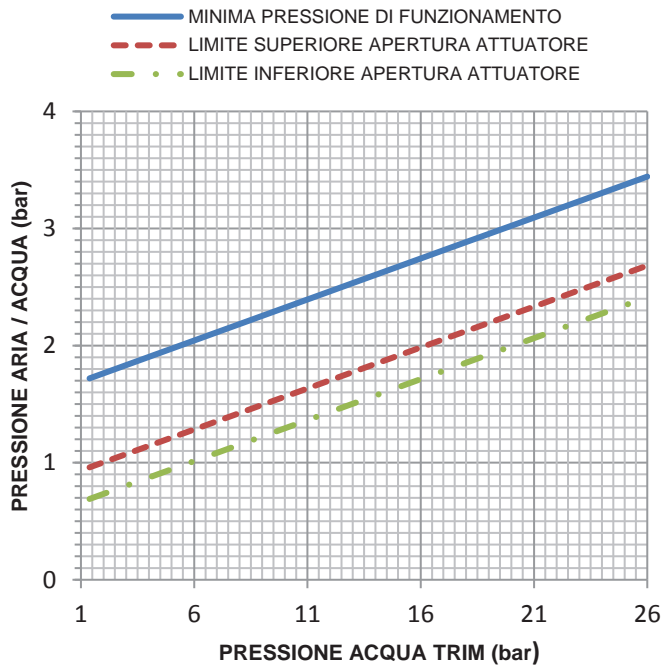
Prestazioni idrauliche

	Dimensione valvola						
	2"	2 1/2"	3"	4"	6"	8"	10"
K_v ((m ³ /h)/√bar)	87	134	136	202	495	981	1156
$L_{eq}^{(5)}$ (m)	3,4	3,6	10,8	19,9	27,7	29,1	58,0

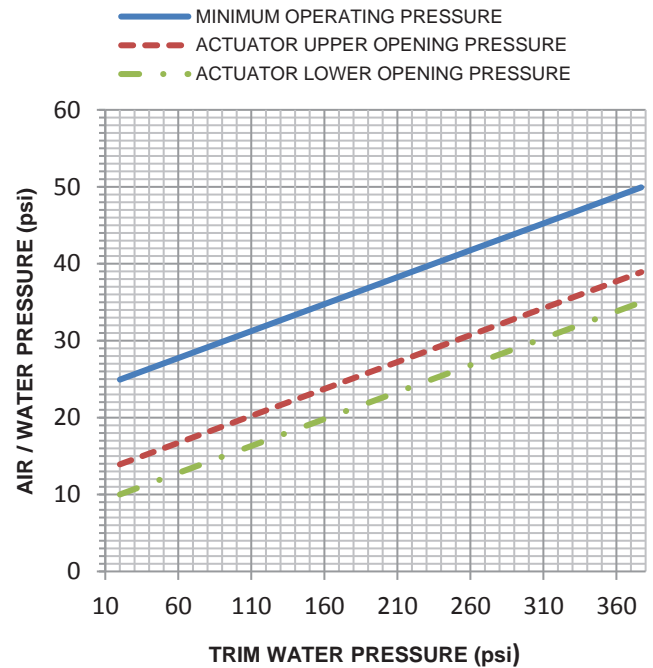
Hydraulic performance

	Valve size						
	2"	2 1/2"	3"	4"	6"	8"	10"
C_v (gpm/√psi)	101	156	158	236	577	1145	1348
$L_{eq}^{(5)}$ (ft)	11,3	11,8	35,6	65,3	91,0	95,6	223,0

Dati operativi



Operational data



Opzioni

- Sensore di posizione per membrana
- Drenaggio principale aggiuntivo a valle
- Valvola di drenaggio automatico
- Pressostato acqua linea allarme
- Trasmettitore di pressione acqua linea di allarme
- Pressostato aria bassa pressione
- Trasmettitore di pressione aria bassa pressione
- Campana idraulica
- Finitura diversa dallo Standard SA
- Per ulteriori opzioni o versioni speciali contattare SA Fire Protection

Optional

- Diaphragm position monitoring system
- Additional main drain valve downstream
- Automatic drain valve
- Alarm line water pressure switch
- Alarm line water pressure transmitter
- Air line low pressure switch
- Air line low pressure transmitter
- Water motor gong
- Finish different from Standard SA
- For additional options or special versions contact SA Fire Protection

Note:

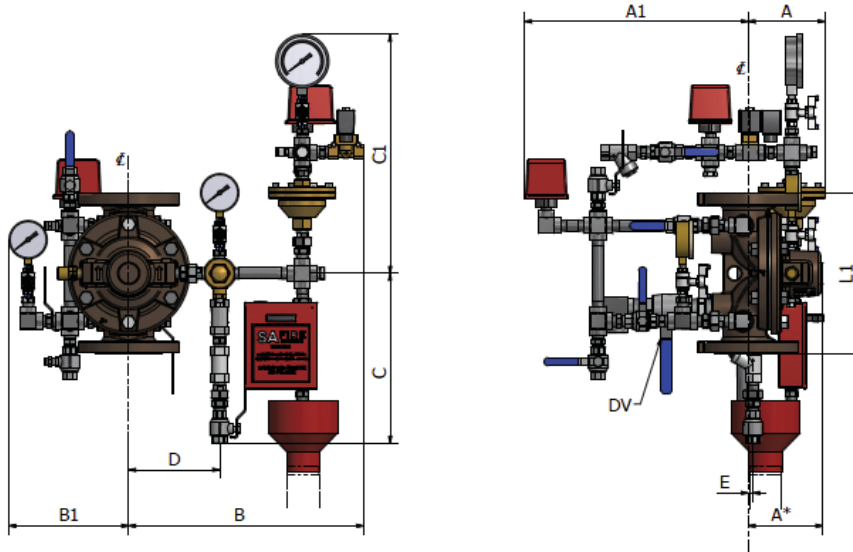
(5) Lunghezza equivalente riferita alla velocità di 4,57 m/s, tubo SCH 40 e C-factor = 120

Notes:

(5) Equivalent length calculated at 15 ft/s, pipe SCH 40 and C-factor = 120

Dimensioni e Pesi ⁽⁶⁾ – Trim verticale

Dimensions and Weights ⁽⁶⁾ – Vertical Trim



Ø Corpo Ø Body	Flangia Flange	L1	A	A*	A1	B	B1	C	C1	D	E	DV	Peso Weight
		mm	mm	mm	mm	mm	mm	mm	mm	mm	mm	Ø	kg
2" (DN 50)	ANSI 150 RF	245	132	-	421	414	212	320	451	142	4	3/4"	29,1
	ANSI 150 FF	242											
	ANSI 300 RF	251											
	ANSI 300 FF	248											
	UNI EN 1092-1 PN16	243											
	UNI EN 1092-1 PN25	247											
2 1/2" (DN 65)	ANSI 150 RF	300	145	-	422	443	226	320	451	172	9	1 1/4"	41,1
	ANSI 150 FF	297											
	ANSI 300 RF	306											
	ANSI 300 FF	303											
	UNI EN 1092-1 PN16	296											
	UNI EN 1092-1 PN25	300											
3" (DN 80)	ANSI 150 RF	300	145	-	422	443	226	320	451	172	9	1 1/4"	42,8
	ANSI 150 FF	297											
	ANSI 300 RF	306											
	ANSI 300 FF	303											
	UNI EN 1092-1 PN16	296											
	UNI EN 1092-1 PN25	300											
4" (DN 100)	ANSI 150 RF	338	153	-	422	458	237	320	451	187	18	2"	54,6
	ANSI 150 FF	335											
	ANSI 300 RF	354											
	ANSI 300 FF	350											
	UNI EN 1092-1 PN16	334											
	UNI EN 1092-1 PN25	342											

Prosegue alla pagina seguente / Continue to the next page

Note:

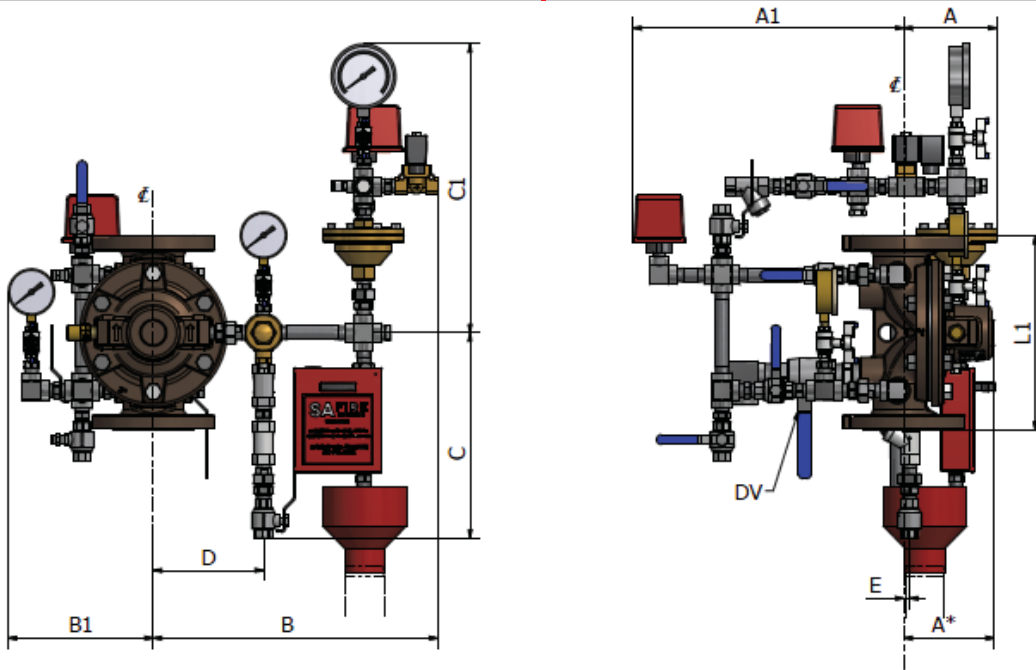
(6) Outline e dimensioni proposte si riferiscono alla versione UL. La configurazione del trim di controllo può variare in base agli accessori e alle opzioni selezionate. Peso riferito a flangia ANSI 150 RF.

Notes:

(6) Outline and dimensions refer to the UL version. The trim configuration may vary according to the accessories and the options selected. Weight referred to the flange ANSI 150 RF.

Dimensioni e Pesi ⁽⁶⁾ – Trim verticale

Dimensions and Weights ⁽⁶⁾ – Vertical Trim



Ø Corpo Ø Body	Flangia Flange	L1	A	A*	A1	B	B1	C	C1	D	E	DV	Peso Weight
		mm	mm	mm	mm	mm	mm	mm	mm	mm	mm	Ø	kg
6" (DN 150)	ANSI 150 RF	413	-	220	422	481	265	320	451	209	69	2"	79,6
	ANSI 150 FF	410											
	ANSI 300 RF	435											
	ANSI 300 FF	432											
	UNI EN 1092-1 PN16	410											
	UNI EN 1092-1 PN25	422											
8" (DN 200)	ANSI 150 RF	527	-	294	407	508	296	320	451	236	119	2"	115,3
	ANSI 150 FF	524											
	ANSI 300 RF	552											
	ANSI 300 FF	551											
	UNI EN 1092-1 PN16	522											
	UNI EN 1092-1 PN25	534											
10" (DN 250)	ANSI 150 RF	630	-	321	434	542	315	320	451	271	143	2"	181,9
	ANSI 150 FF	627											
	ANSI 300 RF	666											
	ANSI 300 FF	663											
	UNI EN 1092-1 PN16	634											
	UNI EN 1092-1 PN25	642											

Note:

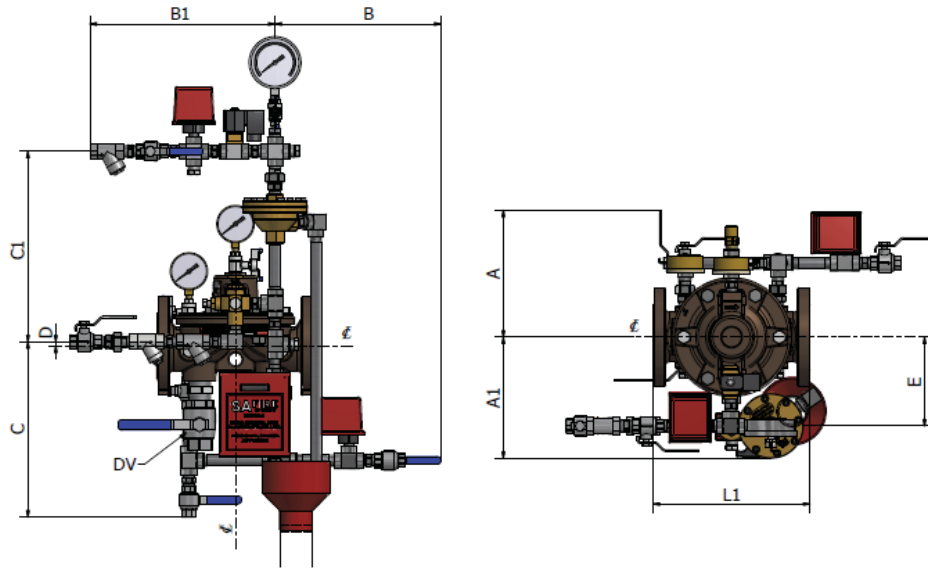
(6) Outline e dimensioni proposte si riferiscono alla versione UL. La configurazione del trim di controllo può variare in base agli accessori e alle opzioni selezionate. Peso riferito a flangia ANSI 150 RF.

Notes:

(6) Outline and dimensions refer to the UL version. The trim configuration may vary according to the accessories and the options selected. Weight referred to the flange ANSI 150 RF.

Dimensioni e Pesì (6) – Trim orizzontale

Dimensions and Weights (6) – Horizontal Trim



Ø Corpo Ø Body	Flangia Flange	L1	A	A1	B	B1	C	C1	D	E	DV	Peso Weight
		mm	mm	mm	mm	mm	mm	mm	mm	mm	Ø	kg
2" (DN 50)	ANSI 150 RF	245	232	204	291	359	330	363	5	142	3/4"	29,2
	ANSI 150 FF	242										
	ANSI 300 RF	251										
	ANSI 300 FF	248										
	UNI EN 1092-1 PN16	243										
	UNI EN 1092-1 PN25	247										
2 1/2" (DN 65)	ANSI 150 RF	300	246	234	321	359	331	377	8	172	1 1/4"	40,7
	ANSI 150 FF	297										
	ANSI 300 RF	306										
	ANSI 300 FF	303										
	UNI EN 1092-1 PN16	296										
	UNI EN 1092-1 PN25	300										
3" (DN 80)	ANSI 150 RF	300	246	234	321	359	339	369	8	172	1 1/4"	42,4
	ANSI 150 FF	297										
	ANSI 300 RF	306										
	ANSI 300 FF	303										
	UNI EN 1092-1 PN16	296										
	UNI EN 1092-1 PN25	300										
4" (DN 100)	ANSI 150 RF	338	256	250	328	359	331	386	17	187	2"	53
	ANSI 150 FF	335										
	ANSI 300 RF	354										
	ANSI 300 FF	350										
	UNI EN 1092-1 PN16	334										
	UNI EN 1092-1 PN25	342										

Prosegue alla pagina seguente / Continue to the next page

Note:

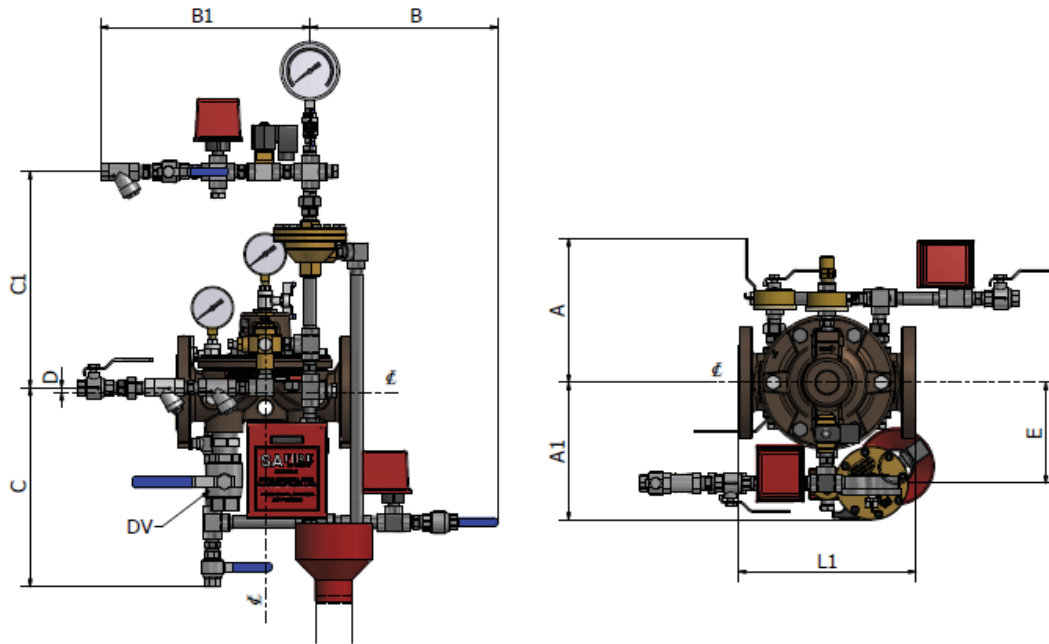
(6) Outline e dimensioni proposte si riferiscono alla versione UL. La configurazione del trim di controllo può variare in base agli accessori e alle opzioni selezionate. Peso riferito a flangia ANSI 150 RF.

Notes:

(6) Outline and dimensions refer to the UL version. The trim configuration may vary according to the accessories and the options selected. Weight referred to the flange ANSI 150 RF.

Dimensioni e Pesì ⁽⁶⁾ – Trim orizzontale

Dimensions and Weights ⁽⁶⁾ – Horizontal Trim



Ø Corpo Ø Body	Flangia Flange	L1	A	A1	B	B1	C	C1	D	E	DV	Peso Weight kg
		mm	mm	mm	mm	mm	mm	mm	mm	mm	Ø	
6" (DN 150)	ANSI 150 RF	413	285	271	343	359	331	437	68	209	2"	78
	ANSI 150 FF	410										
	ANSI 300 RF	435										
	ANSI 300 FF	432										
	UNI EN 1092-1 PN16	410										
	UNI EN 1092-1 PN25	422										
8" (DN 200)	ANSI 150 RF	527	316	298	352	359	303	491	122	236	2"	113,7
	ANSI 150 FF	524										
	ANSI 300 RF	552										
	ANSI 300 FF	551										
	UNI EN 1092-1 PN16	522										
	UNI EN 1092-1 PN25	534										
10" (DN 250)	ANSI 150 RF	630	335	333	452	359	335	511	143	271	2"	180,3
	ANSI 150 FF	627										
	ANSI 300 RF	666										
	ANSI 300 FF	663										
	UNI EN 1092-1 PN16	634										
	UNI EN 1092-1 PN25	642										

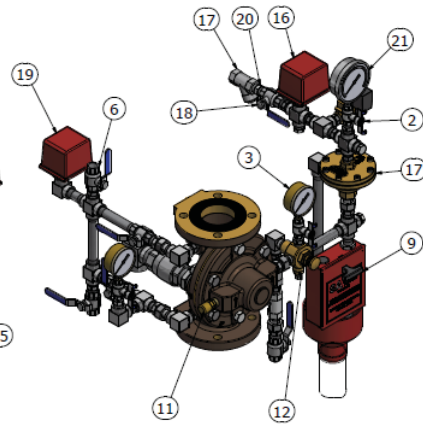
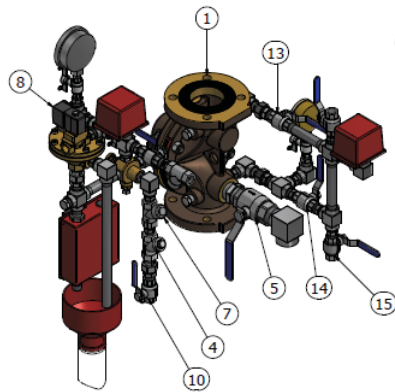
Note:

(6) Outline e dimensioni proposte si riferiscono alla versione UL. La configurazione del trim di controllo può variare in base agli accessori e alle opzioni selezionate. Peso riferito a flangia ANSI 150 RF.

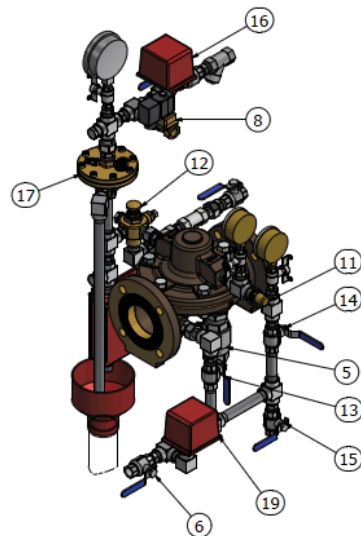
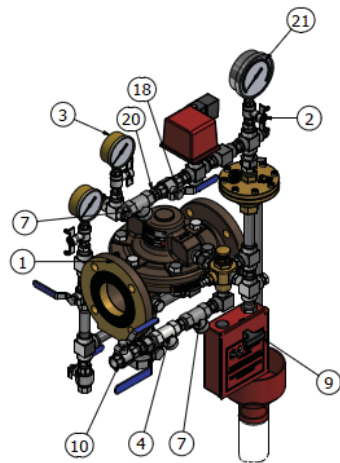
Notes:

(6) Outline and dimensions refer to the UL version. The trim configuration may vary according to the accessories and the options selected. Weight referred to the flange ANSI 150 RF.

VERTICAL



HORIZONTAL



Posizioni

1. Valvola a diluvio
2. Valvola intercettazione manometro
3. Manometro acqua
4. Filtro a Y
5. Valvola di drenaggio principale
6. Valvola intercettazione campana idraulica
7. Valvola di non ritorno
8. Elettrovalvola
9. Comando manuale di emergenza
10. Valvola alimentazione trim acqua
11. Valvola di sfiato manuale
12. Riarmo manuale
13. Valvola isolamento allarmi NA
14. Valvola di test allarmi NC
15. Valvola drenaggio linea allarmi
16. Pressostato aria bassa pressione
17. Attuatore pneumatico
18. Valvola alimentazione trim aria
19. Pressostato acqua di allarme
20. Orifizio calibrato trim aria
21. Manometro aria

Items

1. Deluge valve
2. Gauge isolation valve
3. Water pressure gauge
4. Y strainer
5. Main drain valve
6. Water gong isolation valve
7. Check valve
8. Solenoid valve
9. Emergency Manual Release
10. Priming valve water trim
11. Manual vent valve
12. Manual reset
13. NO alarm isolation valve
14. NC alarm test valve
15. Alarm line drain valve
16. Air pressure switch low pressure
17. Pneumatic actuator
18. Priming valve air trim
19. Alarm line water pressure switch
20. Restriction orifice air trim
21. Air pressure gauge

Note:

(7) Outline proposto si riferisce alla versione UL. La configurazione del trim di controllo può variare in base agli accessori e alle opzioni selezionate

Notes:

(7) Outline refers to the UL version. The trim configuration may vary according to the accessories and the options selected

Principio di funzionamento

In normale esercizio (valvola chiusa) la camera di controllo è mantenuta in pressione dalla linea principale attraverso il trim di controllo. Tale pressione fa aderire la membrana all'apposita sede di contatto ricavata nel corpo valvola, garantendo la tenuta necessaria per mantenere la valvola chiusa.

Il trim di controllo è costituito da una linea acqua, mantenuta chiusa dall'attuatore pneumatico e dal comando manuale di emergenza, e da una linea aria, mantenuta chiusa dalla elettrovalvola.

In caso di incendio (valvola aperta) l'apertura della elettrovalvola tramite comando remoto determina lo svuotamento della linea aria e la conseguente apertura dell'attuatore pneumatico, facendo defluire l'acqua contenuta nella camera di controllo. La pressione della linea principale risulta quindi in grado di separare la membrana dalla sede di contatto sul corpo valvola, aprendo completamente la valvola e consentendo il flusso dell'acqua verso l'impianto di spegnimento e gli eventuali dispositivi di allarme.

La valvola a diluvio può essere in alternativa aperta localmente tramite il comando manuale di emergenza sulla linea acqua.

Un orifizio calibrato sulla linea aria riduce l'afflusso di aria rispetto al passaggio della elettrovalvola, consentendo l'apertura dell'attuatore pneumatico. Il riarmo manuale blocca l'afflusso di acqua alla camera di controllo, mantenendo la valvola a diluvio aperta.

Principle of operation

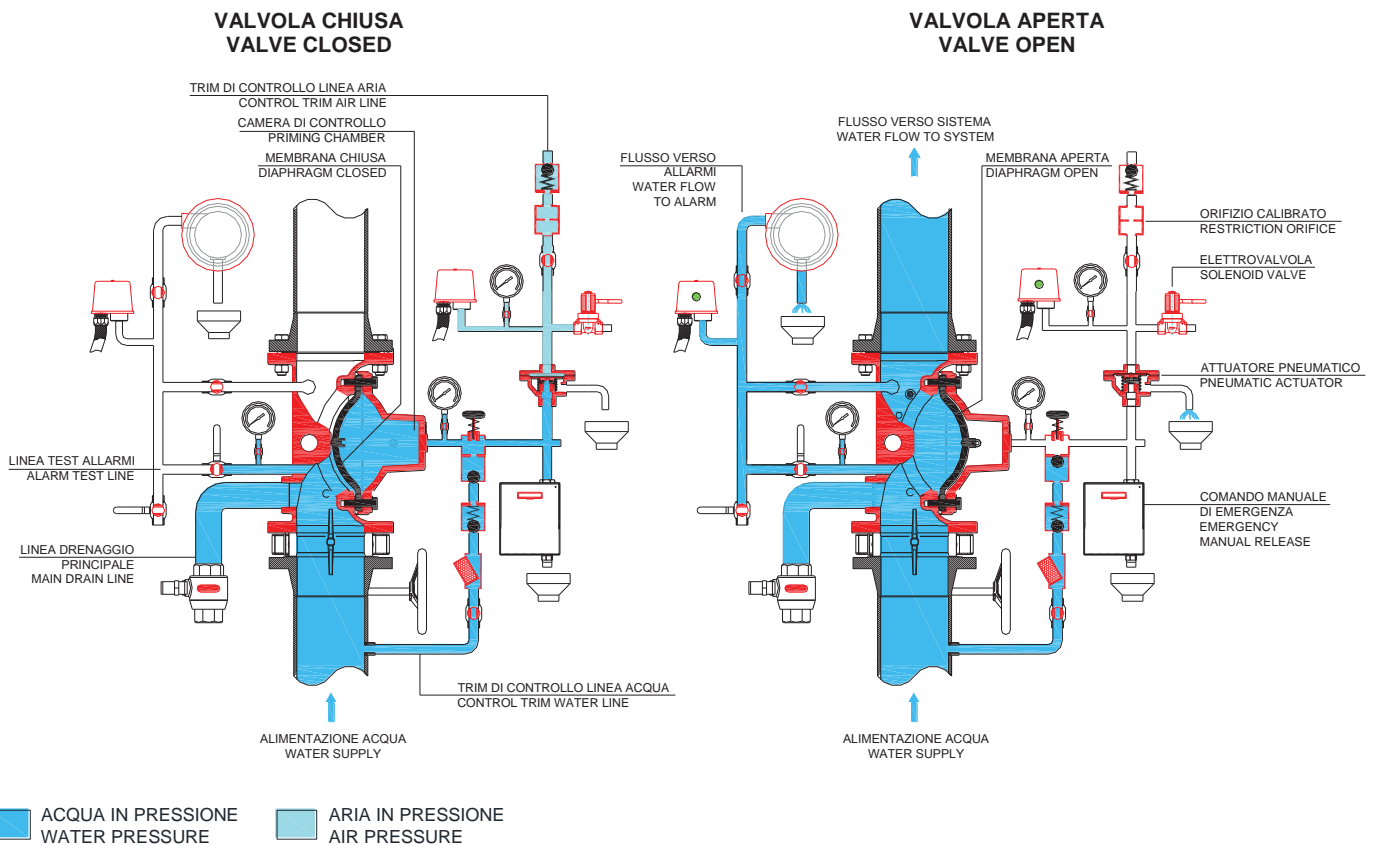
In normal operating conditions (valve closed) the water is supplied to the priming chamber through the trim. The pressure of the water trapped in the priming chamber holds the diaphragm on the valve seat, keeping the valve closed.

The control trim comprises a water line held closed by the pneumatic actuator and the emergency manual release, and an air line held closed by the solenoid valve.

In fire conditions (valve open) the opening of the solenoid valve via remote signal allows the discharge of the air line and the subsequent opening of the pneumatic actuator, releasing the pressure from the control chamber. The water supply pressure in the inlet chamber forces the diaphragm off from seat, allowing water to flow into the system and the alarm devices.

Alternatively, the deluge valve can be opened locally through the emergency manual release on the water line.

A restriction orifice in the air line reduces the air inlet compared to the internal passage of the solenoid valve, allowing the opening of the pneumatic actuator. The manual reset prevents water from entering the control chamber, keeping the deluge valve in open position.



Codice Identificativo
Identification Form

Mod. / / /

1 2 3 4 5 6 7 8 9 10 11 12 13

OPZIONI/OPTIONS

/

14 15 16 17 18 19 20 21 22

Prosegue alla pagina seguente / Continue to the next page

Quantità / Quantity

VALVOLA A DILUVIO ELETTRO-PNEUMATICA VD/D/EP / DELUGE VALVE ELECTRO-PNEUMATIC VD/D/EP

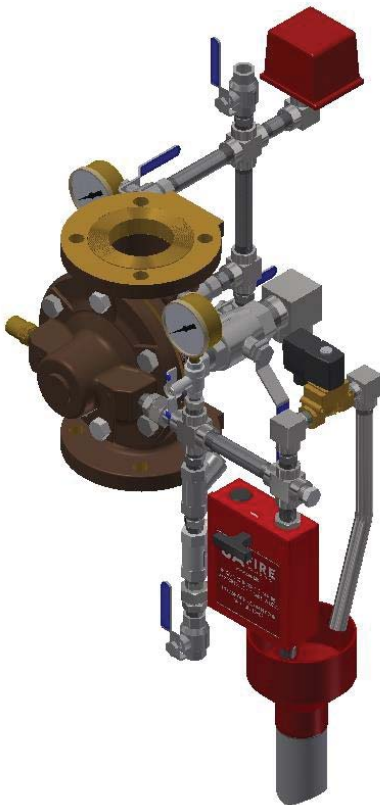
TIPOLOGIA TYPE	1	Tipologia Type	Valvola a diluvio elettro-pneumatica Deluge valve electro-pneumatic	VD/D/EP <input checked="" type="checkbox"/>		
VALVOLA VALVE	2	Materiale Material	Nichel Alluminio Bronzo ASTM B148 C95800 Nickel Aluminum Bronze ASTM B148 C95800	CBA10 <input type="checkbox"/>	Materiale standard Standard material	
			Bronzo EN 1982 – CC491K Bronze EN 1982 – CC491K	CBG10 <input type="checkbox"/>		
			Acciaio inox AISI 316 Stainless steel AISI 316	CAI12 <input type="checkbox"/>		
	3	Dimensione Size	2"	2 <input type="checkbox"/>		
			2 1/2"	2M <input type="checkbox"/>		
			3"	3 <input type="checkbox"/>		
			4"	4 <input type="checkbox"/>		
			6"	6 <input type="checkbox"/>		
			8"	8 <input type="checkbox"/>		
	4	Flangia Flange	10"	10 <input type="checkbox"/>		
			ANSI 150 RF	150RF <input type="checkbox"/>	Tipologia standard Standard type	
			ANSI 150 FF	150FF <input type="checkbox"/>		
			ANSI 300 RF	300RF <input type="checkbox"/>		
ANSI 300 FF			300FF <input type="checkbox"/>			
UNI EN PN16			PN16 <input type="checkbox"/>			
UNI EN PN25			PN25 <input type="checkbox"/>			
	Altro Other	F <input type="checkbox"/>	Specificare in Note la tipologia di flangia richiesta Specify in Notes the type of flange requested			
TRIM	5	Configurazione Configuration	Trim verticale Vertical trim	TV <input type="checkbox"/>		
			Trim orizzontale Horizontal trim	TH <input type="checkbox"/>		
			Trim a pannello Panel mounted trim	TP <input type="checkbox"/>		

TRIM	6	Tubi / raccordi / valvole / drenaggio principale Tubing / fittings / valves / main drain valve	Acciaio inox AISI 316/316L Stainless Steel AISI 316/316L	TAI <input type="checkbox"/>	
			Monel/Bronzo/Nichel Alluminio Bronzo Monel/Bronze/Nickel Aluminum Bronze	TMO <input type="checkbox"/>	
	7	Accessori (riarmo manuale, valvola di sfiato manuale, attuatore pneumatico NO) Accessories (manual reset, manual vent valve, pneumatic actuator NO)	Corpo Nichel Alluminio Bronzo, parti interne Acciaio inox Body Nickel Aluminum Bronze, internal parts Stainless steel	ABA <input type="checkbox"/>	
			Corpo Acciaio inox, parti interne Nichel Alluminio Bronzo Body Stainless steel, internal parts Nickel Aluminum Bronze	AAI <input type="checkbox"/>	
			Corpo Nichel Alluminio Bronzo, parti interne Monel Body Nickel Aluminum Bronze, internal parts Monel	AMO <input type="checkbox"/>	
	8	Manometro acqua Pressure gauge water line	PGW101 – Acciaio inox, scala 0 – 300 psi PGW101 – Stainless steel, span 0 – 300 spi	PGW101 <input type="checkbox"/>	
			PG111 – Ottone, scala 0 – 600 psi. PG111 – Brass, span 0 – 600 psi	PG111 <input type="checkbox"/>	
PG232 – Acciaio inox, scala 0 – 25 bar PG232 – Stainless steel, span 0 – 25 bar			PG23225 <input type="checkbox"/>		
PG262 – Acciaio inox/Monel, scala 0 – 25 bar PG262 – Stainless steel/Monel, span 0 – 25 bar			PG26225 <input type="checkbox"/>		
PG232 – Acciaio inox, scala 0 – 40 bar PG232 – Stainless steel, span 0 – 40 bar			PG23240 <input type="checkbox"/>		
PG262 – Acciaio inox/Monel, scala 0 – 40 bar PG262 – Stainless steel/Monel, span 0 – 40 bar			PG26240 <input type="checkbox"/>		
ELETTROVALVOLA SOLENOID VALVE	9	Modello Modello	SV5404 – Ottone, 2/2 vie servo-attuata SV5404 – Brass, 2/2 way with servo-piston	SV5404 <input type="checkbox"/>	
			SV238 – Acciaio inox, 2/2 vie servo-attuata SV238 – Stainless steel, , 2/2 way with servo-piston	SV238 <input type="checkbox"/>	
			SVICO4 – Acciaio inox, 3/2 vie azionamento diretto SVICO4 – Stainless steel, 3/2 way direct acting	SVICO4AI <input type="checkbox"/>	
			SVICO4 – Nichel Alluminio Bronzo, 3/2 vie azionamento diretto SVICO4 – Nickel Aluminum Bronze, 3/2 way direct acting	SVICO4BA <input type="checkbox"/>	
	10	Alimentazione Voltage	24 Vcc 24 Vdc	24DC <input type="checkbox"/>	
			110 Vcc 110 Vdc	110DC <input type="checkbox"/>	
			110 Vca 110 Vac	110AC <input type="checkbox"/>	
			Altro Other	V <input type="checkbox"/>	Specificare in Note l'alimentazione richiesta Specify in Notes the voltage requested
	11	Funzionamento Operation	Normalmente chiusa Normally closed	NC <input type="checkbox"/>	
			Normalmente aperta Normally open	NO <input type="checkbox"/>	
	12	Riarmo manual Manual reset	Leva di blocco automatica Automatic latching lever	ALL <input type="checkbox"/>	Specificare solo se richiesto. Disponibile solo per Mod. SVICO4. Tale dispositivo sostituisce il riarmo manuale del trim. Specify only if requested. Available only for Mod. SVICO4. This device replace the manual reset on the trim.
	13	Area di installazione Area of installation	Area sicura Safe area	S <input type="checkbox"/>	Non disponibile per Mod. SVICO4 Not available for Mod. SVICO4
			ATEX – Zona 1 e 2 ATEX – Zone 1 e 2	A1 <input type="checkbox"/>	

Prosegue alla pagina seguente / Continue to the next page

OPZIONI OPTIONS	14	Limit switch	Sensore di posizione IP per membrana Diaphragm Position Monitoring System IP	DPMS <input type="checkbox"/>		
			Sensore di posizione ATEX per membrana Diaphragm Position Monitoring System ATEX	DPMSA <input type="checkbox"/>		
	15	Drenaggio principale aggiuntivo Additional main drain	Seconda valvola di drenaggio principale a valle Second main drain valve downstream	2MD <input type="checkbox"/>		
	16	Drenaggio automatico Automatic drain	Corpo Nichel Alluminio Bronzo, parti interne Acciaio inox Body Nickel Aluminum Bronze, internal parts Stainless steel	DABA <input type="checkbox"/>		
			Corpo Acciaio inox, parti interne Nichel Alluminio Bronzo Body Stainless steel, internal parts Nickel Aluminum Bronze	DAAI <input type="checkbox"/>		
			Corpo Nichel Alluminio Bronzo, parti interne Monel Body Nickel Aluminum Bronze, internal parts Monel	DAMO <input type="checkbox"/>		
	17	Pressostato acqua di allarme Alarm water pressure switch	Zona sicura Safe Area	PS10 <input type="checkbox"/>		
			ATEX – Zona 1 e 2 – Acciaio inox ATEX – Zone 1 e 2 – Stainless steel	PS9681H <input type="checkbox"/>		
			ATEX – Zona 1 e 2 – Acciaio inox/Monel ATEX – Zone 1 e 2 – Stainless steel/Monel	PSUE12H <input type="checkbox"/>		
18	Trasmettitore di pressione acqua di allarme Alarm water pressure transmitter	ATEX – Zona 1 e 2 – Acciaio inox ATEX – Zone 1 e 2 – Stainless steel	PT3051HAI <input type="checkbox"/>			
		ATEX – Zona 1 e 2 – Monel ATEX – Zone 1 e 2 – Monel	PT3051HMO <input type="checkbox"/>			
19	Pressostato aria Air pressure switch	Zona sicura Safe Area	PS40 <input type="checkbox"/>			
		ATEX – Zona 1 e 2 ATEX – Zone 1 e 2	PS9681L <input type="checkbox"/>			
20	Trasmettitore di pressione aria Air line pressure transmitter	ATEX – Zona 1 e 2 – Acciaio inox ATEX – Zone 1 e 2 – Stainless steel	PT3051LAI <input type="checkbox"/>			
21	Campana idraulica Water motor gong	Campana idraulica di allarme Water motor alarm gong	WG <input type="checkbox"/>			
22	Verniciatura Painting	Finitura diversa da standard SA Finishing different from SA standard	C <input type="checkbox"/>		Specificare in Note il ciclo di verniciatura richiesta. Specify in Notes the painting procedure required.	
NOTE NOTES						
CLIENTE / CLIENT:		PROGETTO / PROJECT:	DOC. No.:	REV.:		
EMESSO / ISSUED:		CONTROLLATO / CHECKED:	APPROVATO / APPROVED:			
DATA / DATE:		DATA / DATE:	DATA / DATE:			

VALVOLA A DILUVIO ON/OFF ELETTRICA MOD. VD/OF/E
DELUGE VALVE ON/OFF ELECTRIC MOD. VD/OF/E



Descrizione



La valvola Mod. VD/OF/E è una valvola a diluvio ON/OFF ad azionamento elettrico con riarmo remoto, disponibile nelle dimensioni da 2" (DN 50) a 10" (DN 250).

Le valvole a diluvio ON/OFF Mod. VD/OF/E sono utilizzate per il controllo del flusso di acqua o acqua/schiuma in impianti water spray o schiuma con sistema di rivelazione di tipo elettrico. Quando dotate dei relativi accessori (pressostati, campana idraulica) sono in grado di azionare gli allarmi all'attivazione del sistema.

In condizione di normale esercizio la valvola a diluvio ON/OFF elettrica VD/OF/E è mantenuta chiusa dalla pressione dell'acqua nella camera di controllo. In caso di incendio l'apertura della elettrovalvola installata sul trim di controllo determina il deflusso dell'acqua dalla camera di controllo e l'apertura della valvola sotto l'effetto della pressione della linea di alimentazione. L'apertura della valvola può essere operata inoltre manualmente utilizzando il relativo dispositivo di apertura manuale di emergenza sul trim di controllo. Il trim è inoltre predisposto per la connessione di un eventuale comando manuale remoto. La valvola può essere riarmata da remoto tramite la chiusura della elettrovalvola.

La valvola a diluvio elettrica Mod. VD/OF/E è disponibile in configurazione verticale o orizzontale. Il coperchio di ispezione consente la manutenzione della valvola e la sostituzione della membrana mantenendo la valvola montata sulla linea principale.

I materiali di costruzione rendono la valvola a diluvio idonea per l'impiego con acqua di mare o soluzioni schiumogene all'interno di ambienti industriali ad alta aggressività o in applicazioni offshore.

Description



The valve Mod. VD/OF/E is a deluge valve ON/OFF with electric actuation and remote reset, available in diameter sizes from 2" (DN 50) to 10" (DN 250).

The deluge valves ON/OFF Mod. VD/OF/E are used to control water or foam/water flow in water spray or foam fire protection systems monitored by electric fire detection system. When equipped with the relevant accessories (pressure switch, water motor alarm), they can provide actuation of fire alarms upon system operation.

In normal operating conditions the deluge valve ON/OFF electric VD/OF/E is held closed by the water pressure in the control chamber. In fire conditions water is released from the control chamber through the opening of the solenoid valve in the control trim, and the valve latches open under the effect of the water supply pressure. The valve can be manually open through the emergency manual release on the control trim. The trim is also provided with the connection for an optional remote manual control. The valve can be remotely reset closing the solenoid valve.

The deluge valve ON/OFF electric Mod. VD/OF/E is available in vertical or horizontal configuration. The cover plate allows in-line maintenance and field replace of the diaphragm to be performed.

The materials of construction make it suitable for being used with sea water or water foam solution within industrial harsh environments & offshore applications.

Caratteristiche tecniche

Valvola:

- Materiali corpo a scelta tra:
 - Nichel Alluminio Bronzo ASTM B148 C95800
 - Bronzo EN 1982 – CC491K
 - Acciaio inox AISI 316 ASTM A351 Gr.CF8M
- Materiale membrana: EPDM rinforzato
- Vite di serraggio coperchio: Acciaio inox AISI 316
- Flange disponibili ANSI B16.5 / B16.24 o UNI EN 1092-1
- Pressione di progetto ⁽¹⁾: 26 bar
- Pressione di test: 41,4 bar
- Temperatura dell'acqua: da 0,5°C a 90°C
- Minima pressione di esercizio: 1,38 bar (20 psi)
- Valvola di drenaggio principale a monte
- Predisposizione attacco linea di comando manuale remoto ⁽²⁾

Finitura:

- Al naturale

Trim di controllo:

- Tubi / raccordi / valvole / drenaggio principale:
 - Acciaio inox AISI 316/316L
 - Monel/Bronzo/Nichel Alluminio Bronzo
- Accessori (valvola di sfianto manuale):
 - Corpo Nichel Alluminio Bronzo, parti interne Acciaio inox
 - Corpo Acciaio inox, parti interne Nichel Alluminio Bronzo
 - Corpo Nichel Alluminio Bronzo, parti interne Monel
- Manometri acqua:
 - PGW101 – Acciaio inox, 0 – 300 psi / 0 – 2050 kPa, 4" x 1/4"
 - PG111 – Ottone, 0 – 600 psi, 2 1/2" x 1/4"
 - PG232 – Acciaio inox, 0 – 25 bar, 100 mm x 1/4"
 - PG262 – Acciaio inox/Monel, 0 – 25 bar, 100 mm x 1/4"
 - PG232 – Acciaio inox, 0 – 40 bar, 100 mm x 1/4"
 - PG262 – Acciaio inox/Monel, 0 – 40 bar, 100 mm x 1/4"
- Configurazione trim:
 - Trim verticale
 - Trim orizzontale
 - Trim a pannello

Prosegue alla pagina seguente / Continue to the next page

Technical characteristics

Valve:

- Body materials to be selected among:
 - Nickel Aluminum Bronze ASTM B148 C95800
 - Bronze EN 1982 – CC491K
 - Stainless steel AISI 316 ASTM A351 Gr.CF8M
- Diaphragm material: EPDM fabric reinforced
- Nuts and bolts material: Stainless steel AISI 316
- Flanges ANSI B16.5 / B16.24 or UNI EN 1092-1
- Design pressure ⁽¹⁾: 26 bar
- Test pressure: 41,4 bar
- Water temperature: from 0,5 °C to 90°C
- Minimum working pressure: 1.38 bar (20 psi)
- Main drain valve upstream
- Connection for remote emergency manual release line ⁽²⁾

Finish:

- Natural

Control trim:

- Tubing / fittings / valves / main drain valve:
 - Stainless steel AISI 316/316L
 - Monel/Bronze/Nickel Aluminum Bronze
- Accessories (manual vent valve):
 - Body Nickel Aluminum Bronze, internal parts Stainless steel
 - Body Stainless steel, internal parts Nickel Aluminum Bronze
 - Body Nickel Aluminum Bronze, internal parts Monel
- Water pressure gauges:
 - PGW101 - Stainless steel, 0 - 300 psi / 0 - 2050 kPa, 4" x 1/4"
 - PG111 – Brass, 0 – 600 psi, 2 1/2" x 1/4"
 - PG232 – Stainless steel, 0 – 25 bar, 100 mm x 1/4"
 - PG262 – Stainless steel/Monel, 0 – 25 bar, 100 mm x 1/4"
 - PG232 – Stainless steel, 0 – 40 bar, 100 mm x 1/4"
 - PG262 – Stainless steel/Monel, 0 – 40 bar, 100 mm x 1/4"
- Trim configuration:
 - Vertical trim
 - Horizontal trim
 - Panel mounted trim

Note:

(1) La massima pressione di esercizio può essere limitata dalla flangiatura selezionata e dalla tipologia di trim di controllo.

(2) Per il comando manuale di emergenza vedi DS N.30.20.40.60.

Notes:

(1) The maximum working pressure could be limited by the selected flange and control trim type.

(2) For emergency manual release see DS N.30.20.40.60.

Caratteristiche tecniche

Elettrovalvola:

- Modelli disponibili:
 - SV5404 – Ottone, 2/2 vie servo-attuata
 - SV238 – Acciaio inox, 2/2 vie servo-attuata
 - SVICO4 – Acciaio inox, 3/2 vie azionamento diretto
 - SVICO4 – Nichel Alluminio Bronzo, 3/2 vie azionamento diretto
- Alimentazione:
 - 24 Vcc
 - 110 Vcc
 - 110 Vca
- Funzionamento:
 - Normalmente Chiusa NC
 - Normalmente Aperta NO
- Area di installazione:
 - Zona sicura
 - ATEX Zona 1 e 2

Technical characteristics

Solenoid valve:

- Models available:
 - SV5404 – Brass, 2/2 way with servo-piston
 - SV238 – Stainless steel, 2/2 way with servo-piston
 - SVICO4 – Stainless steel, 3/2 way direct acting
 - SVICO4 – Nickel Aluminum Bronze, 3/2 way direct acting
- Voltage:
 - 24 Vdc
 - 110 Vdc
 - 110 Vac
- Operation:
 - Normally Closed NC
 - Normally Open NO
- Installation area:
 - Safe Area
 - ATEX Zone 1 and 2

Certificazioni

- UL Listed ⁽³⁾

Certifications

- UL Listed ⁽³⁾

Prestazioni idrauliche

	Dimensione valvola						
	2"	2 1/2"	3"	4"	6"	8"	10"
K_v $((m^3/h)/\sqrt{bar})$	87	134	136	202	495	981	1156
$L_{eq}^{(4)}$ (m)	3,4	3,6	10,8	19,9	27,7	29,1	58,0

Hydraulic performance

	Valve size						
	2"	2 1/2"	3"	4"	6"	8"	10"
C_v (gpm/\sqrt{psi})	101	156	158	236	577	1145	1348
$L_{eq}^{(4)}$ (ft)	11,3	11,8	35,6	65,3	91,0	95,6	223,0

Opzioni

- Sensore di posizione per membrana
- Drenaggio principale aggiuntivo a valle
- Valvola di drenaggio automatico
- Pressostato acqua linea allarme
- Trasmettitore di pressione acqua linea di allarme
- Campana idraulica
- Finitura diversa dallo Standard SA
- Per ulteriori opzioni o versioni speciali contattare SA Fire Protection

Optional

- Diaphragm position monitoring system
- Additional main drain valve downstream
- Automatic drain valve
- Alarm line water pressure switch
- Alarm line water pressure transmitter
- Water motor gong
- Finish different from Standard SA
- For additional options or special versions contact SA Fire Protection

Note:

(3) Alcuni accessori e opzioni proposti potrebbero non essere coperti da certificazione UL. Per maggiori informazioni verificare i dettagli dell'approvazione o contattare SA Fire Protection

(4) Lunghezza equivalente riferita alla velocità di 4,57 m/s, tubo SCH 40 e C-factor = 120

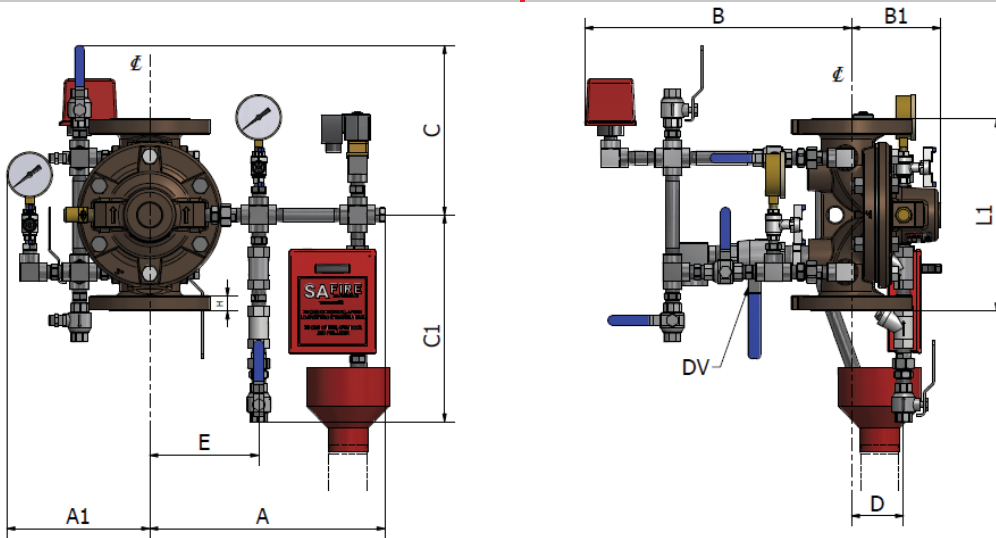
Notes:

(3) Some of the proposed accessories and options may not be covered by the UL Listing. For more details refer to the Approval details or contact SA Fire Protection

(4) Equivalent length calculated at 15 ft/s, pipe SCH 40 and C-factor = 120

Dimensioni e Pesì ⁽⁵⁾ – Trim verticale

Dimensions and Weights ⁽⁵⁾ – Vertical Trim



Ø Corpo Ø Body	Flangia Flange	L1	A	A1	B	B1	C	C1	D	E	DV	Peso Weight
		mm	mm	mm	mm	mm	mm	mm	mm	mm	Ø	kg
2" (DN 50)	ANSI 150 RF	245	343	212	421	130	238	327	69	143	3/4"	22,7
	ANSI 150 FF	242										
	ANSI 300 RF	251										
	ANSI 300 FF	248										
	UNI EN 1092-1 PN16	243										
UNI EN 1092-1 PN25	247											
2 1/2" (DN 65)	ANSI 150 RF	300	372	226	422	142	268	327	82	172	1 1/4"	34,8
	ANSI 150 FF	297										
	ANSI 300 RF	306										
	ANSI 300 FF	303										
	UNI EN 1092-1 PN16	296										
UNI EN 1092-1 PN25	300											
3" (DN 80)	ANSI 150 RF	300	372	226	422	142	268	327	82	172	1 1/4"	36,5
	ANSI 150 FF	297										
	ANSI 300 RF	306										
	ANSI 300 FF	303										
	UNI EN 1092-1 PN16	296										
UNI EN 1092-1 PN25	300											
4" (DN 100)	ANSI 150 RF	338	387	237	422	151	275	327	91	187	2"	48,2
	ANSI 150 FF	335										
	ANSI 300 RF	354										
	ANSI 300 FF	350										
	UNI EN 1092-1 PN16	334										
UNI EN 1092-1 PN25	342											

Prosegue alla pagina seguente / Continue to the next page

Note:

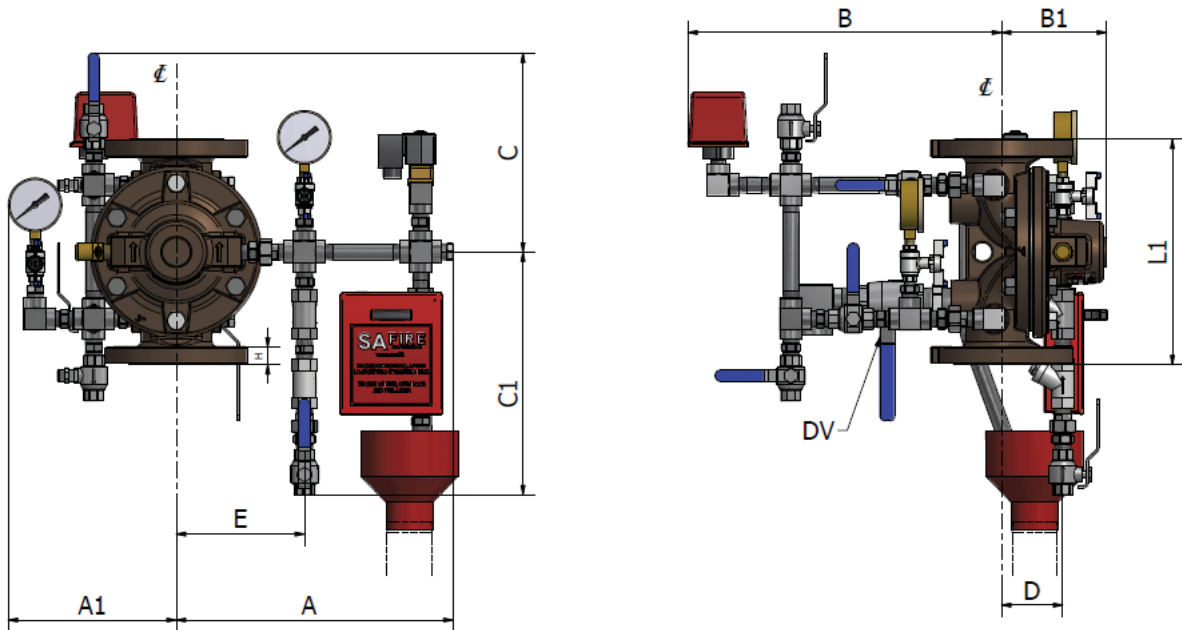
(5) Outline e dimensioni proposte si riferiscono alla versione UL. La configurazione del trim di controllo può variare in base agli accessori e alle opzioni selezionate. Peso riferito a flangia ANSI 150 RF.

Notes:

(5) Outline and dimensions refer to the UL version. The trim configuration may vary according to the accessories and the options selected. Weight referred to the flange ANSI 150 RF.

Dimensioni e Pesì ⁽⁵⁾ – Trim verticale

Dimensions and Weights ⁽⁵⁾ – Vertical Trim



Ø Corpo Ø Body	Flangia Flange	L1	A	A1	B	B1	C	C1	D	E	DV	Peso Weight kg
		mm	mm	mm	mm	mm	mm	mm	mm	mm	Ø	
6" (DN 150)	ANSI 150 RF	413	410	265	422	219	289	327	143	210	2"	73,2
	ANSI 150 FF	410										
	ANSI 300 RF	435										
	ANSI 300 FF	432										
	UNI EN 1092-1 PN16	410										
UNI EN 1092-1 PN25	422											
8" (DN 200)	ANSI 150 RF	527	437	296	406	295	298	327	196	237	2"	109
	ANSI 150 FF	524										
	ANSI 300 RF	552										
	ANSI 300 FF	551										
	UNI EN 1092-1 PN16	522										
UNI EN 1092-1 PN25	534											
10" (DN 250)	ANSI 150 RF	630	471	315	434	321	398	327	217	271	2"	175,5
	ANSI 150 FF	627										
	ANSI 300 RF	666										
	ANSI 300 FF	663										
	UNI EN 1092-1 PN16	634										
UNI EN 1092-1 PN25	642											

Note:

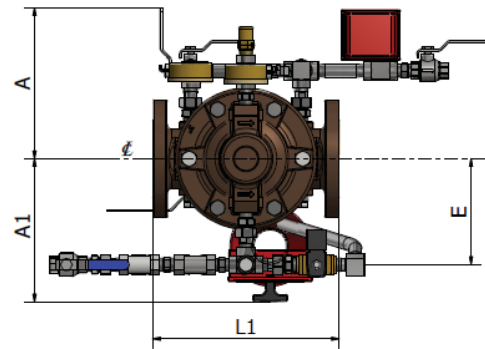
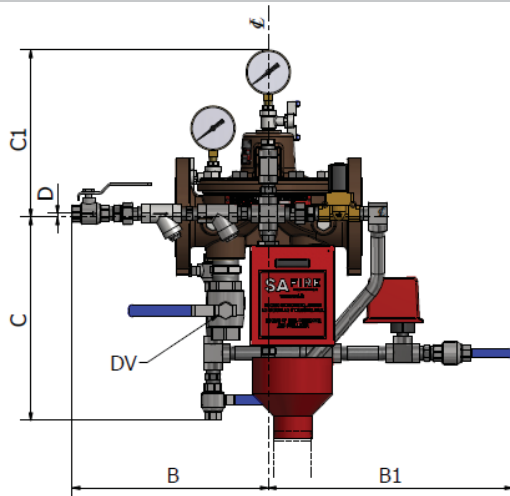
(5) Outline e dimensioni proposte si riferiscono alla versione UL. La configurazione del trim di controllo può variare in base agli accessori e alle opzioni selezionate. Peso riferito a flangia ANSI 150 RF.

Notes:

(5) Outline and dimensions refer to the UL version. The trim configuration may vary according to the accessories and the options selected. Weight referred to the flange ANSI 150 RF.

Dimensioni e Pesì ⁽⁵⁾ – Trim orizzontale

Dimensions and Weights ⁽⁵⁾ – Horizontal Trim



Ø Corpo Ø Body	Flangia Flange	L1	A	A1	B	B1	C	C1	D	E	DV	Peso Weight kg
		mm	mm	mm	mm	mm	mm	mm	mm	mm	Ø	
2" (DN 50)	ANSI 150 RF	245	231	204	319	368	330	256	8	143	3/4"	22,1
	ANSI 150 FF	242										
	ANSI 300 RF	251										
	ANSI 300 FF	248										
	UNI EN 1092-1 PN16	243										
	UNI EN 1092-1 PN25	247										
2 1/2" (DN 65)	ANSI 150 RF	300	246	232	319	398	331	272	6	172	1 1/4"	33,7
	ANSI 150 FF	297										
	ANSI 300 RF	306										
	ANSI 300 FF	303										
	UNI EN 1092-1 PN16	296										
	UNI EN 1092-1 PN25	300										
3" (DN 80)	ANSI 150 RF	300	246	232	319	398	331	272	6	172	1 1/4"	35,4
	ANSI 150 FF	297										
	ANSI 300 RF	306										
	ANSI 300 FF	303										
	UNI EN 1092-1 PN16	296										
	UNI EN 1092-1 PN25	300										
4" (DN 100)	ANSI 150 RF	338	257	247	319	405	331	281	14	187	2"	46
	ANSI 150 FF	335										
	ANSI 300 RF	354										
	ANSI 300 FF	350										
	UNI EN 1092-1 PN16	334										
	UNI EN 1092-1 PN25	342										

Prosegue alla pagina seguente / Continue to the next page

Note:

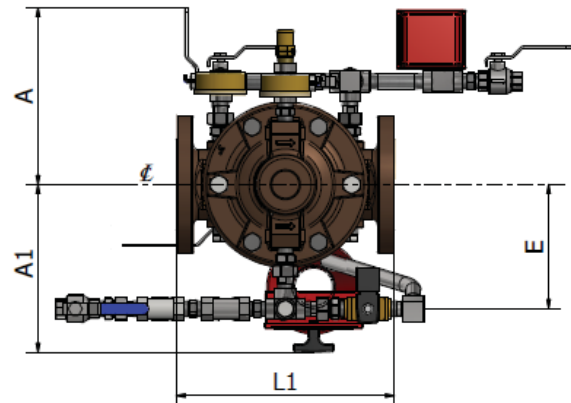
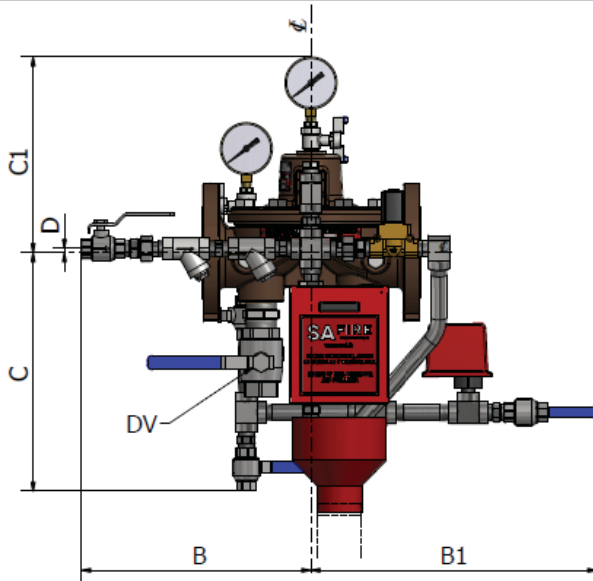
(5) Outline e dimensioni proposte si riferiscono alla versione UL. La configurazione del trim di controllo può variare in base agli accessori e alle opzioni selezionate. Peso riferito a flangia ANSI 150 RF.

Notes:

(5) Outline and dimensions refer to the UL version. The trim configuration may vary according to the accessories and the options selected. Weight referred to the flange ANSI 150 RF.

Dimensioni e Pesì ⁽⁵⁾ – Trim orizzontale

Dimensions and Weights ⁽⁵⁾ – Horizontal Trim



Ø Corpo Ø Body	Flangia Flange	L1	A	A1	B	B1	C	C1	D	E	DV	Peso Weight
		mm	mm	mm	mm	mm	mm	mm	mm	mm	Ø	kg
6" (DN 150)	ANSI 150 RF	413	284	271	319	419	331	332	66	210	2"	71
	ANSI 150 FF	410										
	ANSI 300 RF	435										
	ANSI 300 FF	432										
	UNI EN 1092-1 PN16	410										
	UNI EN 1092-1 PN25	422										
8" (DN 200)	ANSI 150 RF	527	315	298	319	428	303	386	120	237	2"	106,7
	ANSI 150 FF	524										
	ANSI 300 RF	552										
	ANSI 300 FF	551										
	UNI EN 1092-1 PN16	522										
	UNI EN 1092-1 PN25	534										
10" (DN 250)	ANSI 150 RF	630	335	331	319	528	336	406	140	271	2"	173,2
	ANSI 150 FF	627										
	ANSI 300 RF	666										
	ANSI 300 FF	663										
	UNI EN 1092-1 PN16	634										
	UNI EN 1092-1 PN25	642										

Note:

(5) Outline e dimensioni proposte si riferiscono alla versione UL. La configurazione del trim di controllo può variare in base agli accessori e alle opzioni selezionate. Peso riferito a flangia ANSI 150 RF.

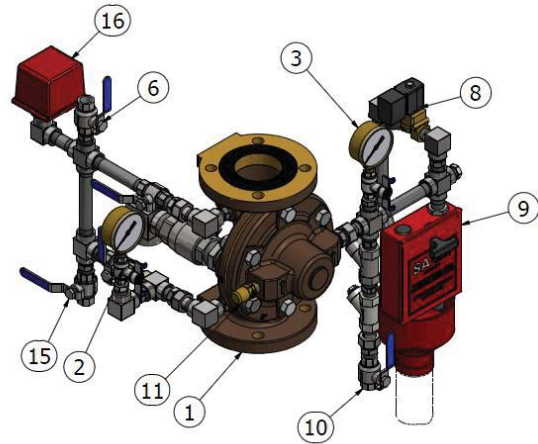
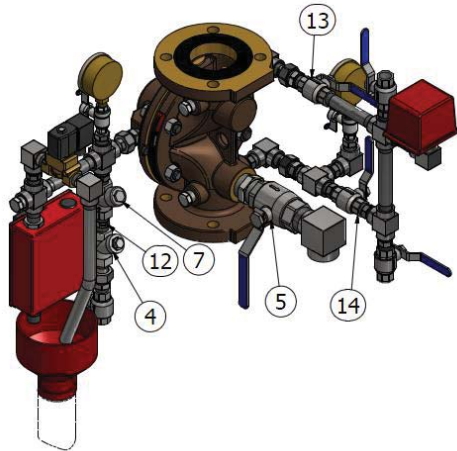
Notes:

(5) Outline and dimensions refer to the UL version. The trim configuration may vary according to the accessories and the options selected. Weight referred to the flange ANSI 150 RF.

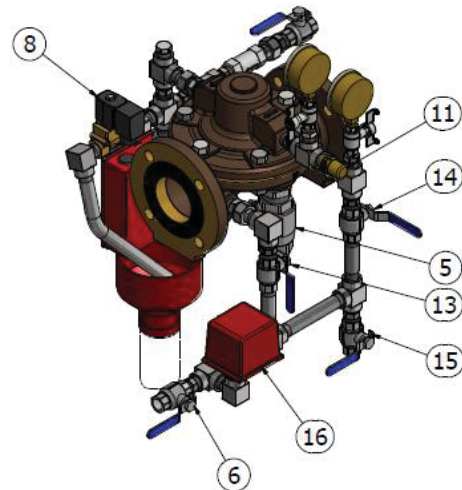
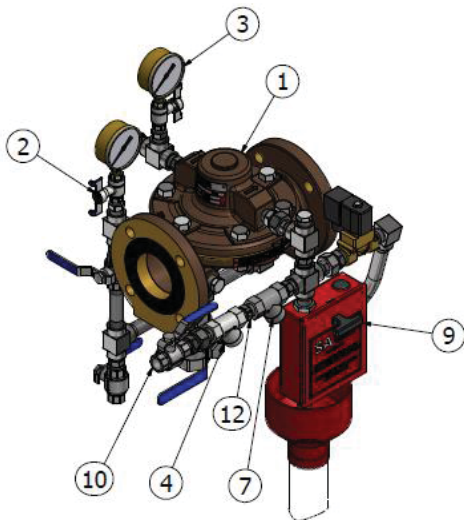
Componenti del sistema ⁽⁶⁾

System Components ⁽⁶⁾

VERTICAL



HORIZONTAL



Posizioni:

1. Valvola a diluvio
2. Valvola intercettazione manometro
3. Manometro
4. Filtro a Y
5. Valvola di drenaggio principale
6. Valvola intercettazione campana idraulica
7. Valvola di non ritorno
8. Elettrovalvola
9. Comando manuale di emergenza
10. Valvola alimentazione trim
11. Valvola di sfiato manuale
12. Orifizio calibrato trim acqua
13. Valvola isolamento allarmi NA
14. Valvola di test allarmi NC
15. Valvola drenaggio linea allarmi
16. Pressostato acqua di allarme

Items:

1. Deluge valve
2. Gauge isolation valve
3. Water pressure gauge
4. Y strainer
5. Main drain valve
6. Water gong isolation valve
7. Check valve
8. Solenoid valve
9. Emergency Manual Release
10. Priming valve water trim
11. Manual vent valve
12. Restriction orifice water trim
13. NO alarm isolation valve
14. NC alarm test valve
15. Alarm line drain valve
16. Alarm water pressure switch

Note:

(6) Outline proposto si riferisce alla versione UL. La configurazione del trim di controllo può variare in base agli accessori e alle opzioni selezionate.

Notes:

(6) Outline refers to the UL version. The trim configuration may vary according to the accessories and the options selected.

Principio di funzionamento

In normale esercizio (valvola chiusa) la camera di controllo è mantenuta in pressione dalla linea principale attraverso il trim. Tale pressione fa aderire la membrana all'apposita sede di contatto ricavata nel corpo valvola, garantendo la tenuta necessaria per mantenere la valvola chiusa.

Il trim di controllo è mantenuto chiuso dalla elettrovalvola e dal comando manuale di emergenza.

In caso di incendio (valvola aperta) l'apertura della elettrovalvola tramite comando remoto determina il deflusso dell'acqua contenuta nella camera di controllo. La pressione della linea principale risulta quindi in grado di separare la membrana dalla sede di contatto sul corpo valvola, aprendo completamente la valvola e consentendo il flusso dell'acqua verso l'impianto di spegnimento e gli eventuali dispositivi di allarme.

La valvola a diluvio può essere in alternativa aperta localmente tramite il comando manuale di emergenza.

Un orifizio calibrato sul trim riduce l'afflusso di acqua rispetto al passaggio della elettrovalvola, consentendo l'apertura della camera di controllo.

Principle of operation

In normal operating conditions (valve closed) the water is supplied to the priming chamber through the trim. The pressure of the water trapped in the priming chamber holds the diaphragm on the valve seat, keeping the valve closed.

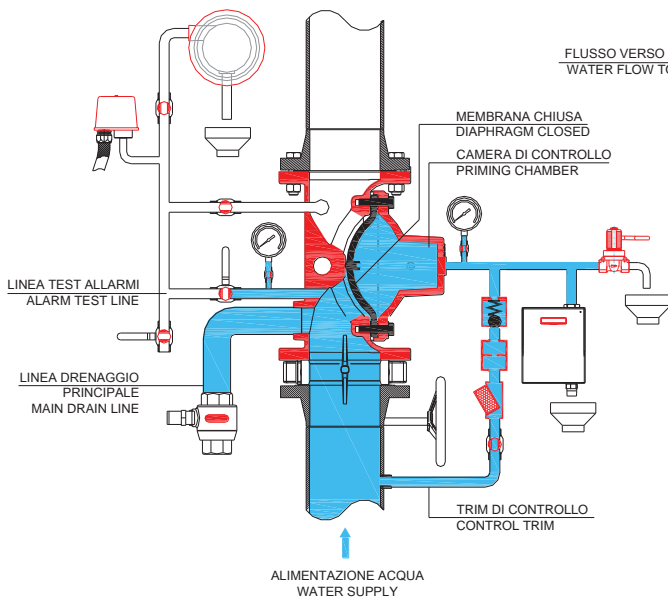
The control trim is held closed by the solenoid valve and the manual emergency release.

In fire conditions (valve open) the opening of the solenoid valve via remote signal releasing the pressure from the control chamber. The water supply pressure in the inlet chamber forces the diaphragm off from seat, allowing water to flow into the system and the alarm devices.

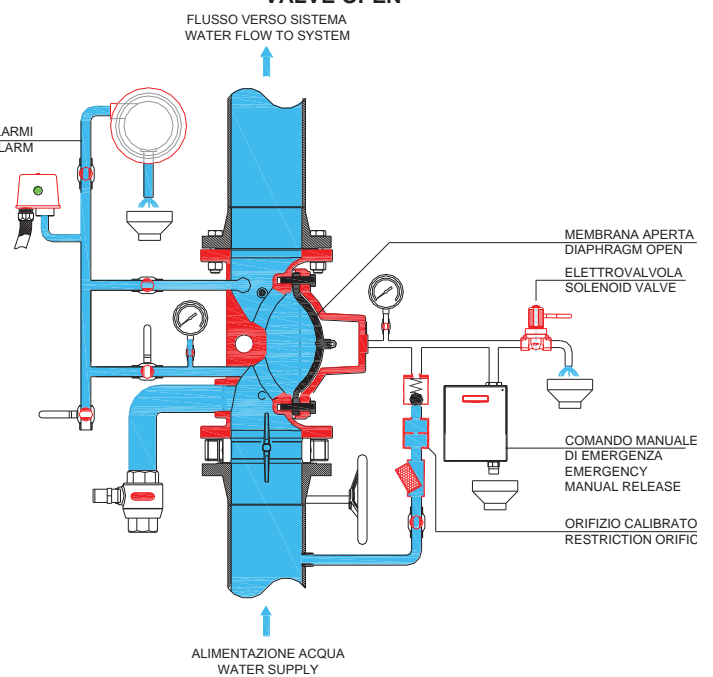
Alternatively, the deluge valve can be opened locally through the emergency manual release.


A restriction orifice in the control trim reduces the water inlet compared to the internal passage of the solenoid valve, allowing the opening of the priming chamber.

**VALVOLA CHIUSA
VALVE CLOSED**



**VALVOLA APERTA
VALVE OPEN**



 ACQUA IN PRESSIONE
WATER PRESSURE

Codice Identificativo
Identification Form

Mod. **VD/OF/E** / [] [] [] / [] [] [] [] / [] [] [] []

1
2
3
4
5
6
7
8
9
10
11
12

OPZIONI/OPTIONS

/ [] [] [] [] [] [] [] [] []

13
14
15
16
17
18
19

Quantità / Quantity []

VALVOLA A DILUVIO ON/OFF ELETTRICA VD/OF/E / DELUGE VALVE ON/OFF ELECTRIC VD/OF/E

TIPOLOGIA TYPE	1	Tipologia Type	Valvola a diluvio ON/OFF elettrica Deluge valve ON/OFF electric	VD/OF/E <input checked="" type="checkbox"/>	
VALVOLA VALVE	2	Materiale Material	Nichel Alluminio Bronzo ASTM B148 C95800 Nickel Aluminum Bronze ASTM B148 C95800	CBA10 <input type="checkbox"/>	Materiale standard Standard material
			Bronzo EN 1982 – CC491K Bronze EN 1982 – CC491K	CBG10 <input type="checkbox"/>	
			Acciaio inox AISI 316 Stainless steel AISI 316	CAI12 <input type="checkbox"/>	
	3	Dimensione Size	2"	2 <input type="checkbox"/>	
			2 1/2"	2M <input type="checkbox"/>	
			3"	3 <input type="checkbox"/>	
			4"	4 <input type="checkbox"/>	
			6"	6 <input type="checkbox"/>	
			8"	8 <input type="checkbox"/>	
	4	Flangia Flange	ANSI 150 RF	150RF <input type="checkbox"/>	Tipologia standard Standard type
			ANSI 150 FF	150FF <input type="checkbox"/>	
			ANSI 300 RF	300RF <input type="checkbox"/>	
ANSI 300 FF			300FF <input type="checkbox"/>		
UNI EN PN16			PN16 <input type="checkbox"/>		
UNI EN PN25			PN25 <input type="checkbox"/>		
Altro Other			F <input type="checkbox"/>	Specificare in Note la tipologia di flangia richiesta Specify in Notes the type of flange requested	
TRIM	5	Configurazione Configuration	Trim verticale Vertical trim	TV <input type="checkbox"/>	
			Trim orizzontale Horizontal trim	TH <input type="checkbox"/>	
			Trim a pannello Panel mounted trim	TP <input type="checkbox"/>	

Prosegue alla pagina seguente / Continue to the next page

TRIM	6	Tubi / raccordi / valvole / drenaggio principale Tubing / fittings / valves / main drain valve	Acciaio inox AISI 316/316L Stainless Steel AISI 316/316L	TAI <input type="checkbox"/>	
			Monel/Bronzo/Nichel Alluminio Bronzo Monel/Bronze/Nickel Aluminum Bronze	TMO <input type="checkbox"/>	
	7	Accessori (valvola di sfiato manuale) Accessories (manual vent valve)	Corpo Nichel Alluminio Bronzo, parti interne Acciaio inox Body Nickel Aluminum Bronze, internal parts Stainless steel	ABA <input type="checkbox"/>	
			Corpo Acciaio inox, parti interne Nichel Alluminio Bronzo Body Stainless steel, internal parts Nickel Aluminum Bronze	AAI <input type="checkbox"/>	
			Corpo Nichel Alluminio Bronzo, parti interne Monel Body Nickel Aluminum Bronze, internal parts Monel	AMO <input type="checkbox"/>	
	8	Manometro Pressure gauge	PGW101 – Acciaio inox, scala 0 – 300 psi PGW101 – Stainless steel, span 0 – 300 spi	PGW101 <input type="checkbox"/>	
			PG111 – Ottone, scala 0 – 600 psi. PG111 – Brass, span 0 – 600 psi	PG111 <input type="checkbox"/>	
PG232 – Acciaio inox, scala 0 – 25 bar PG232 – Stainless steel, span 0 – 25 bar			PG23225 <input type="checkbox"/>		
PG262 – Acciaio inox/Monel, scala 0 – 25 bar PG262 – Stainless steel/Monel, span 0 – 25 bar			PG26225 <input type="checkbox"/>		
PG232 – Acciaio inox, scala 0 – 40 bar PG232 – Stainless steel, span 0 – 40 bar			PG23240 <input type="checkbox"/>		
PG262 – Acciaio inox/Monel, scala 0 – 40 bar PG262 – Stainless steel/Monel, span 0 – 40 bar			PG26240 <input type="checkbox"/>		
ELETTROVALVOLA SOLENOID VALVE	9	Modello Modello	SV5404 – Ottone, 2/2 vie servo-attuata SV5404 – Brass, 2/2 way with servo-piston	SV5404 <input type="checkbox"/>	
			SV238 – Acciaio inox, 2/2 vie servo-attuata SV238 – Stainless steel, , 2/2 way with servo-piston	SV238 <input type="checkbox"/>	
			SVICO4 – Acciaio inox, 3/2 vie azionamento diretto SVICO4 – Stainless steel, 3/2 way direct acting	SVICO4AI <input type="checkbox"/>	
			SVICO4 – Nichel Alluminio Bronzo, 3/2 vie azionamento diretto SVICO4 – Nickel Aluminum Bronze, 3/2 way direct acting	SVICO4BA <input type="checkbox"/>	
	10	Alimentazione Voltage	24 Vcc 24 Vdc	24DC <input type="checkbox"/>	
			110 Vcc 110 Vdc	110DC <input type="checkbox"/>	
			110 Vca 110 Vac	110AC <input type="checkbox"/>	
			Altro Other	V <input type="checkbox"/>	Specificare in Note l'alimentazione richiesta Specify in Notes the voltage requested
	11	Funzionamento Operation	Normalmente chiusa Normally closed	NC <input type="checkbox"/>	
			Normalmente aperta Normally open	NO <input type="checkbox"/>	
	12	Area di installazione Area of installation	Area sicura Safe area	S <input type="checkbox"/>	Non disponibile per Mod. SVICO4 Not available for Mod. SVICO4
			ATEX – Zona 1 e 2 ATEX – Zone 1 e 2	A1 <input type="checkbox"/>	
OPZIONI OPTIONS	13	Limit switch	Sensore di posizione IP per membrana Diaphragm Position Monitoring System IP	DPMS <input type="checkbox"/>	
			Sensore di posizione ATEX per membrana Diaphragm Position Monitoring System ATEX	DPMSA <input type="checkbox"/>	
	14	Drenaggio principale aggiuntivo Additional main drain	Seconda valvola di drenaggio principale a valle Second main drain valve downstream	2MD <input type="checkbox"/>	

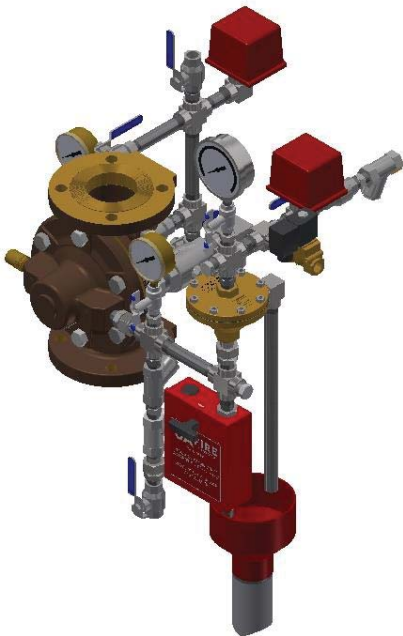
Prosegue alla pagina seguente / Continue to the next page

OPZIONI OPTIONS	15	Drenaggio automatico Automatic drain	Corpo Nichel Alluminio Bronzo, parti interne Acciaio inox Body Nickel Aluminum Bronze, internal parts Stainless steel	DABA <input type="checkbox"/>	
			Corpo Acciaio inox, parti interne Nichel Alluminio Bronzo Body Stainless steel, internal parts Nickel Aluminum Bronze	DAAI <input type="checkbox"/>	
			Corpo Nichel Alluminio Bronzo, parti interne Monel Body Nickel Aluminum Bronze, internal parts Monel	DAMO <input type="checkbox"/>	
	16	Pressostato acqua di allarme Alarm water pressure switch	Zona sicura Safe Area	PS10 <input type="checkbox"/>	
			ATEX – Zona 1 e 2 ATEX – Zone 1 e 2	PS9681H <input type="checkbox"/>	
			ATEX – Zona 1 e 2 – Acciaio inox/Monel ATEX – Zone 1 e 2 – Stainless steel/Monel	PSUE12H <input type="checkbox"/>	
17	Trasmittitore di pressione acqua di allarme Alarm water pressure transmitter	ATEX – Zona 1 e 2 – Acciaio inox ATEX – Zone 1 e 2 – Stainless steel	PT3051HAI <input type="checkbox"/>		
		ATEX – Zona 1 e 2 – Monel ATEX – Zone 1 e 2 – Monel	PT3051HMO <input type="checkbox"/>		
18	Campana idraulica Water motor gong	Campana idraulica di allarme Water motor alarm gong	WG <input type="checkbox"/>		
19	Verniciatura Painting	Finitura diversa da standard SA Finishing different from SA standard	C <input type="checkbox"/>	Specificare in Note il ciclo di verniciatura richiesta. Specify in Notes the painting procedure required.	

NOTE NOTES	

CLIENTE / CLIENT:	PROGETTO / PROJECT:	DOC. No.:	REV.:
EMESSO / ISSUED:	CONTROLLATO / CHECKED:	APPROVATO / APPROVED:	
DATA / DATE:	DATA / DATE:	DATA / DATE:	

VALVOLA A DILUVIO ON/OFF ELETTRO-PNEUMATICA MOD. VD/OF/EP
DELUGE VALVE ON/OFF ELECTRO-PNEUMATIC MOD. VD/OF/EP



Descrizione



La valvola Mod. VD/OF/EP è una valvola a diluvio ON/OFF ad azionamento elettro-pneumatico con riarmo remoto, disponibile nelle dimensioni da 2" (DN 50) a 10" (DN 250).

Le valvole a diluvio ON/OFF Mod. VD/OF/EP sono utilizzate per il controllo del flusso di acqua o acqua/schiuma in impianti water spray o schiuma con sistema di rivelazione di tipo elettrico. Il trim di controllo è inoltre predisposto per il collegamento di una eventuale linea di rivelazione pneumatica per l'attivazione pneumatica della valvola a diluvio. Quando dotate dei relativi accessori (pressostati, campana idraulica) sono in grado di azionare gli allarmi all'attivazione del sistema.

In condizione di normale esercizio la valvola a diluvio ON/OFF elettro-pneumatica VD/OF/EP è mantenuta chiusa dalla pressione dell'acqua nella camera di controllo. In caso di incendio l'apertura della elettrovalvola installata sul trim di controllo determina il deflusso dell'acqua dalla camera di controllo e l'apertura della valvola sotto l'effetto della pressione della linea di alimentazione. L'apertura della valvola può essere operata inoltre manualmente utilizzando il relativo dispositivo di apertura manuale di emergenza sul trim di controllo. Il trim è inoltre predisposto per la connessione di un eventuale comando manuale remoto sulla linea acqua e per la connessione di un eventuale comando aria remoto. La valvola può essere riarmata da remoto tramite la chiusura della elettrovalvola. La valvola a diluvio ON/OFF elettro-pneumatica è consigliata per le applicazioni in cui è preferibile mantenere l'elettrovalvola sulla linea aria, come ad esempio quelle con acqua di mare o schiumogeno.

La valvola a diluvio elettro-pneumatica Mod. VD/OF/EP è disponibile in configurazione verticale o orizzontale. Il coperchio di ispezione consente la manutenzione della valvola e la sostituzione della membrana mantenendo la valvola montata sulla linea principale.

I materiali di costruzione rendono la valvola a diluvio idonea per l'impiego con acqua di mare o soluzioni schiumogene all'interno di ambienti

Description



The valve Mod. VD/OF/EP is a deluge valve ON/OFF with electro-pneumatic actuation and remote reset, available in diameter sizes from 2" (DN 50) to 10" (DN 250).

The deluge valves ON/OFF Mod. VD/OF/EP are used to control water or foam/water flow in water spray or foam fire protection systems monitored by electric fire detection system. The control trim is also provided with a connection for an optional pneumatic heat detection line, for the pneumatic activation of the deluge valve. When equipped with the relevant accessories (pressure switch, water motor alarm), they can provide actuation of fire alarms upon system operation.

In normal operating conditions the deluge valve ON/OFF electro-pneumatic VD/OF/EP is held closed by the water pressure in the control chamber. In fire conditions water is released from the control chamber through the opening of the solenoid valve in the control trim, and the valve latches open under the effect of the water supply pressure. The valve can be manually open through the emergency manual release on the control trim. The trim is also provided with a connection for an optional remote emergency manual release line and another connection for an optional remote air control line. The valve can be remotely reset closing the solenoid valve. The deluge valve ON/OFF electro-pneumatic is recommended for those applications where it is preferable to keep the solenoid valve dry, such as those with sea water or foam concentrate.

The deluge valve ON/OFF electro-pneumatic Mod. VD/OF/EP is available in vertical or horizontal configuration. The cover plate allows in-line maintenance and field replace of the diaphragm to be performed.

The materials of construction make it suitable for being used with sea water or water foam solution within industrial harsh environments & offshore applications.

industriali ad alta aggressività o in applicazioni offshore.

Caratteristiche tecniche

Valvola:

- Materiali corpo a scelta tra:
 - Nichel Alluminio Bronzo ASTM B148 C95800
 - Bronzo EN 1982 – CC491K
 - Acciaio inox AISI 316 ASTM A351 Gr.CF8M
- Materiale membrana: EPDM rinforzato
- Vite di serraggio coperchio: Acciaio inox AISI 316
- Flange disponibili ANSI B16.5 / B16.24 o UNI EN 1092-1
- Pressione di progetto ⁽¹⁾: 26 bar
- Pressione di test: 41,4 bar
- Temperatura dell'acqua: da 0,5°C a 90°C
- Minima pressione di esercizio: 1,38 bar (20 psi)
- Valvola di drenaggio principale a monte
- Predisposizione attacco linea di comando manuale remoto ⁽²⁾
- Predisposizione attacco linea di comando remoto aria ⁽²⁾
- Predisposizione attacco linea di rivelazione pneumatica ⁽³⁾

Finitura:

- Al naturale

Trim di controllo:

- Tubi / raccordi / valvole / drenaggio principale:
 - Acciaio inox AISI 316/316L
 - Monel/Bronzo/Nichel Alluminio Bronzo
- Tubi, raccordi e valvole linea aria: Acciaio inox AISI 316/316L
- Accessori (valvola di sfiato manuale, attuatore pneumatico Normalmente Aperto NO):
 - Corpo Nichel Alluminio Bronzo, parti interne Acciaio inox
 - Corpo Acciaio inox, parti interne Nichel Alluminio Bronzo
 - Corpo Nichel Alluminio Bronzo, parti interne Monel

Technical characteristics

Valve:

- Body materials to be selected among:
 - Nickel Aluminum Bronze ASTM B148 C95800
 - Bronze EN 1982 – CC491K
 - Stainless steel AISI 316 ASTM A351 Gr.CF8M
- Diaphragm material: EPDM fabric reinforced
- Nuts and bolts material: Stainless steel AISI 316
- Flanges ANSI B16.5 / B16.24 or UNI EN 1092-1
- Design pressure ⁽¹⁾: 26 bar
- Test pressure: 41,4 bar
- Water temperature: from 0,5 °C to 90°C
- Minimum working pressure: 1.38 bar (20 psi)
- Main drain valve upstream
- Connection for remote emergency manual release line ⁽²⁾
- Connection for remote air control line ⁽²⁾
- Connection for pneumatic heat detection line ⁽³⁾

Finish:

- Natural

Control trim:

- Tubing / fittings / valves / main drain valve:
 - Stainless steel AISI 316/316L
 - Monel/Bronze/Nickel Aluminum Bronze
- Tubing, fittings and valves for air line: Stainless steel AISI 316/316L
- Accessories (manual vent valve, pneumatic actuator Normally Open NO):
 - Body Nickel Aluminum Bronze, internal parts Stainless steel
 - Body Stainless steel, internal parts Nickel Aluminum Bronze
 - Body Nickel Aluminum Bronze, internal parts Monel

Prosegue alla pagina seguente / Continue to the next page

Note:

- (1) La massima pressione di esercizio può essere limitata dalla flangiatura e dalla elettrovalvola selezionata
- (2) Per il comando manuale di emergenza vedi DS N.30.20.40.60.
- (3) Per i tappi fusibili per la linea di rivelazione pneumatica vedi DS N.30.20.50.70.

Notes:

- (1) The maximum working pressure could be limited by the selected flange type and solenoid valve
- (2) For emergency manual release see DS N.30.20.40.60.
- (3) For fusible plugs for pneumatic heat detection line see DS N.30.20.50.70.

Caratteristiche tecniche

Trim di controllo:

- Manometri acqua:
 - PGW101 – Acciaio inox, 0 – 300 psi / 0 – 2050 kPa, 4" x 1/4"
 - PG111 – Ottone, 0 – 600 psi, 2 1/2" x 1/4"
 - PG232 – Acciaio inox, 0 – 25 bar, 100 mm x 1/4"
 - PG262 – Acciaio inox/Monel, 0 – 25 bar, 100 mm x 1/4"
 - PG232 – Acciaio inox, 0 – 40 bar, 100 mm x 1/4"
 - PG262 – Acciaio inox/Monel, 0 – 40 bar, 100 mm x 1/4"
- Manometro aria:
 - PGW102 – Acciaio inox, 0 – 80 – 250 psi / 0 – 550 - 1750 kPa, 4" x 1/4"
- Configurazione trim:
 - Trim verticale
 - Trim orizzontale
 - Trim a pannello

Elettrovalvola:

- Modelli disponibili:
 - SV5404 – Ottone, 2/2 vie servo-attuata
 - SV238 – Acciaio inox, 2/2 vie servo-attuata
 - SVICO4 – Acciaio inox, 3/2 vie azionamento diretto
 - SVICO4 – Nichel Alluminio Bronzo, 3/2 vie azionamento diretto
- Alimentazione:
 - 24 Vcc
 - 110 Vcc
 - 110 Vca
- Funzionamento:
 - Normalmente Chiusa NC
 - Normalmente Aperta NO
- Area di installazione:
 - Zona sicura
 - ATEX Zona 1 e 2

Technical characteristics

Control trim:

- Water pressure gauges:
 - PGW101 - Stainless steel, 0 - 300 psi / 0 - 2050 kPa, 4" x 1/4"
 - PG111 – Brass, 0 – 600 psi, 2 1/2" x 1/4"
 - PG232 – Stainless steel, 0 – 25 bar, 100 mm x 1/4"
 - PG262 – Stainless steel/Monel, 0 – 25 bar, 100 mm x 1/4"
 - PG232 – Stainless steel, 0 – 40 bar, 100 mm x 1/4"
 - PG262 – Stainless steel/Monel, 0 – 40 bar, 100 mm x 1/4"
- Air pressure gauge:
 - PGW102 – Stainless steel, 0 – 80 – 250 psi / 0 – 550 - 1750 kPa, 4" x 1/4"
- Trim configuration:
 - Vertical trim
 - Horizontal trim
 - Panel mounted trim

Solenoid valve:

- Models available:
 - SV5404 – Brass, 2/2 way with servo-piston
 - SV238 – Stainless steel, 2/2 way with servo-piston
 - SVICO4 – Stainless steel, 3/2 way direct acting
 - SVICO4 – Nickel Aluminum Bronze, 3/2 way direct acting
- Voltage:
 - 24 Vdc
 - 110 Vdc
 - 110 Vac
- Operation:
 - Normally Closed NC
 - Normally Open NO
- Installation area:
 - Safe Area
 - ATEX Zone 1 and 2

Certificazioni

- UL Listed ⁽⁴⁾

Certifications

- UL Listed ⁽⁴⁾

Note:

(4) Alcuni accessori e opzioni proposti potrebbero non essere coperti da certificazione UL. Per maggiori informazioni verificare i dettagli dell'approvazione o contattare SA Fire Protection

Notes:

(4) Some of the proposed accessories and options may not be covered by the UL Listing. For more details refer to the Approval details or contact SA Fire Protection

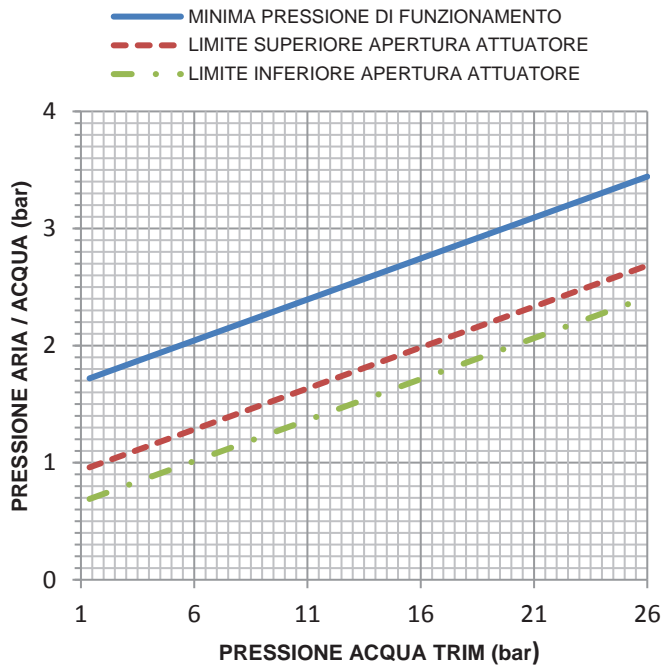
Prestazioni idrauliche

	Dimensione valvola						
	2"	2 1/2"	3"	4"	6"	8"	10"
K_v ((m ³ /h)/√bar)	87	134	136	202	495	981	1156
$L_{eq}^{(5)}$ (m)	3,4	3,6	10,8	19,9	27,7	29,1	58,0

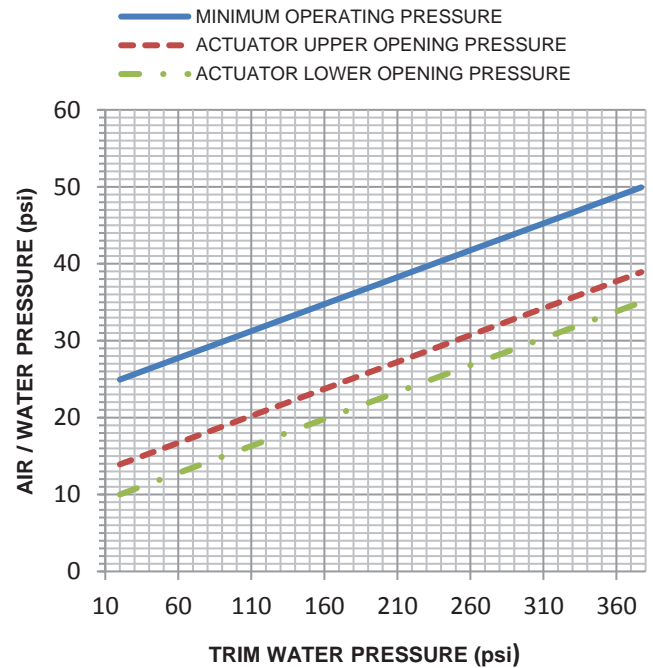
Hydraulic performance

	Valve size						
	2"	2 1/2"	3"	4"	6"	8"	10"
C_v (gpm/√psi)	101	156	158	236	577	1145	1348
$L_{eq}^{(5)}$ (ft)	11,3	11,8	35,6	65,3	91,0	95,6	223,0

Dati operativi



Operational data



Opzioni

- Sensore di posizione per membrana
- Drenaggio principale aggiuntivo a valle
- Valvola di drenaggio automatico
- Pressostato acqua linea allarme
- Trasmettitore di pressione acqua linea di allarme
- Pressostato aria bassa pressione
- Trasmettitore di pressione aria bassa pressione
- Campana idraulica
- Finitura diversa dallo Standard SA
- Per ulteriori opzioni o versioni speciali contattare SA Fire Protection

Optional

- Diaphragm position monitoring system
- Additional main drain valve downstream
- Automatic drain valve
- Alarm line water pressure switch
- Alarm line water pressure transmitter
- Air line low pressure switch
- Air line low pressure transmitter
- Water motor gong
- Finish different from Standard SA
- For additional options or special versions contact SA Fire Protection

Note:

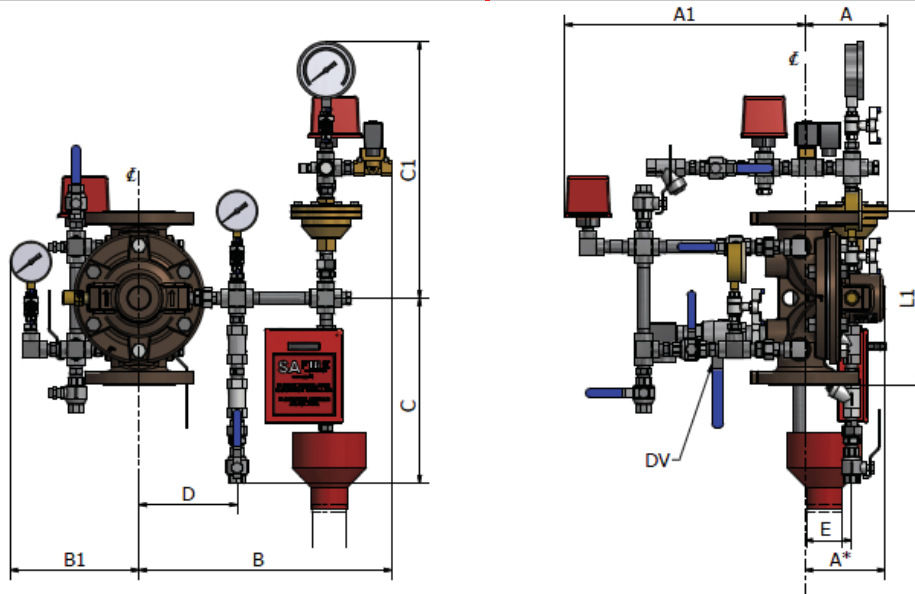
(5) Lunghezza equivalente riferita alla velocità di 4,57 m/s, tubo SCH 40 e C-factor = 120

Notes:

(5) Equivalent length calculated at 15 ft/s, pipe SCH 40 and C-factor = 120

Dimensioni e Pesì ⁽⁶⁾ – Trim verticale

Dimensions and Weights ⁽⁶⁾ – Vertical Trim



Ø Corpo Ø Body	Flangia Flange	L1	A	A*	A1	B	B1	C	C1	D	E	DV	Peso Weight kg
		mm	mm	mm	mm	mm	mm	mm	mm	mm	mm	Ø	
2" (DN 50)	ANSI 150 RF	245	132	-	421	415	212	325	450	143	69	3/4"	28,3
	ANSI 150 FF	242											
	ANSI 300 RF	251											
	ANSI 300 FF	248											
	UNI EN 1092-1 PN16	243											
	UNI EN 1092-1 PN25	247											
2 1/2" (DN 65)	ANSI 150 RF	300	145	-	422	444	226	325	450	172	82	1 1/4"	40,3
	ANSI 150 FF	297											
	ANSI 300 RF	306											
	ANSI 300 FF	303											
	UNI EN 1092-1 PN16	296											
	UNI EN 1092-1 PN25	300											
3" (DN 80)	ANSI 150 RF	300	145	-	422	444	226	325	450	172	82	1 1/4"	42
	ANSI 150 FF	297											
	ANSI 300 RF	306											
	ANSI 300 FF	303											
	UNI EN 1092-1 PN16	296											
	UNI EN 1092-1 PN25	300											
4" (DN 100)	ANSI 150 RF	338	153	-	422	459	237	325	450	187	91	2"	53,8
	ANSI 150 FF	335											
	ANSI 300 RF	354											
	ANSI 300 FF	350											
	UNI EN 1092-1 PN16	334											
	UNI EN 1092-1 PN25	342											

Prosegue alla pagina seguente / Continue to the next page

Note:

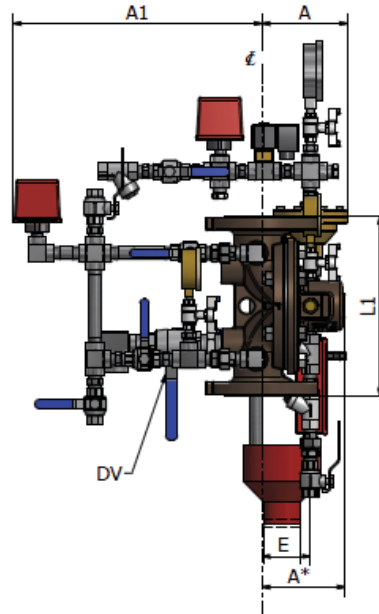
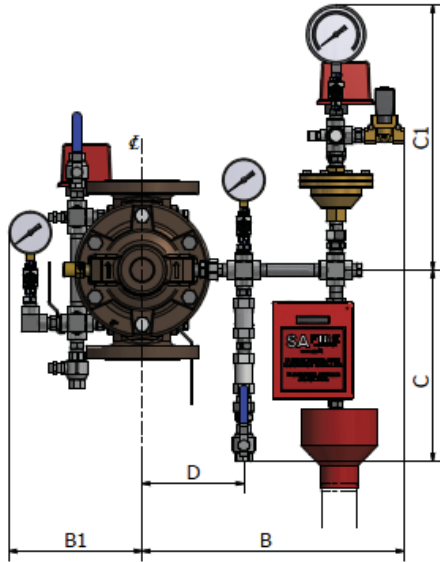
(6) Outline e dimensioni proposte si riferiscono alla versione UL. La configurazione del trim di controllo può variare in base agli accessori e alle opzioni selezionate. Peso riferito a flangia ANSI 150 RF.

Notes:

(6) Outline and dimensions refer to the UL version. The trim configuration may vary according to the accessories and the options selected. Weight referred to the flange ANSI 150 RF.

Dimensioni e Pesì (6) – Trim verticale

Dimensions and Weights (6) – Vertical Trim



Ø Corpo Ø Body	Flangia Flange	L1	A	A*	A1	B	B1	C	C1	D	E	DV	Peso Weight
		mm	mm	mm	mm	mm	mm	mm	mm	mm	mm	Ø	kg
6" (DN 150)	ANSI 150 RF	413	-	219	422	482	265	325	450	210	143	2"	78,8
	ANSI 150 FF	410											
	ANSI 300 RF	435											
	ANSI 300 FF	432											
	UNI EN 1092-1 PN16	410											
	UNI EN 1092-1 PN25	422											
8" (DN 200)	ANSI 150 RF	527	-	294	408	509	296	325	450	237	196	2"	114,5
	ANSI 150 FF	524											
	ANSI 300 RF	552											
	ANSI 300 FF	551											
	UNI EN 1092-1 PN16	522											
	UNI EN 1092-1 PN25	534											
10" (DN 250)	ANSI 150 RF	630	-	321	434	543	315	325	450	271	217	2"	181,1
	ANSI 150 FF	627											
	ANSI 300 RF	666											
	ANSI 300 FF	663											
	UNI EN 1092-1 PN16	634											
	UNI EN 1092-1 PN25	642											

Note:

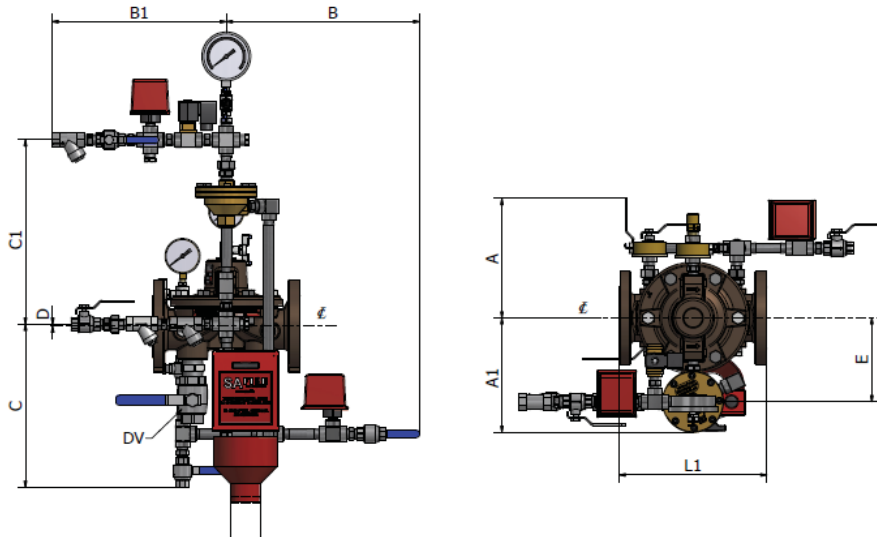
(6) Outline e dimensioni proposte si riferiscono alla versione UL. La configurazione del trim di controllo può variare in base agli accessori e alle opzioni selezionate. Peso riferito a flangia ANSI 150 RF.

Notes:

(6) Outline and dimensions refer to the UL version. The trim configuration may vary according to the accessories and the options selected. Weight referred to the flange ANSI 150 RF.

Dimensioni e Pesì ⁽⁶⁾ – Trim orizzontale

Dimensions and Weights ⁽⁶⁾ – Horizontal Trim



Ø Corpo Ø Body	Flangia Flange	L1	A	A1	B	B1	C	C1	D	E	DV	Peso Weight
		mm	mm	mm	mm	mm	mm	mm	mm	mm	Ø	kg
2" (DN 50)	ANSI 150 RF	245	231	206	368	359	330	370	9	143	3/4"	28
	ANSI 150 FF	242										
	ANSI 300 RF	251										
	ANSI 300 FF	248										
	UNI EN 1092-1 PN16	243										
	UNI EN 1092-1 PN25	247										
2 1/2" (DN 65)	ANSI 150 RF	300	246	234	398	359	331	383	4	172	1 1/4"	39,5
	ANSI 150 FF	297										
	ANSI 300 RF	306										
	ANSI 300 FF	303										
	UNI EN 1092-1 PN16	296										
	UNI EN 1092-1 PN25	300										
3" (DN 80)	ANSI 150 RF	300	246	234	398	359	331	383	4	172	1 1/4"	41,2
	ANSI 150 FF	297										
	ANSI 300 RF	306										
	ANSI 300 FF	303										
	UNI EN 1092-1 PN16	296										
	UNI EN 1092-1 PN25	300										
4" (DN 100)	ANSI 150 RF	338	257	249	405	359	331	392	13	187	2"	51,8
	ANSI 150 FF	335										
	ANSI 300 RF	354										
	ANSI 300 FF	350										
	UNI EN 1092-1 PN16	334										
	UNI EN 1092-1 PN25	342										

Prosegue alla pagina seguente / Continue to the next page

Note:

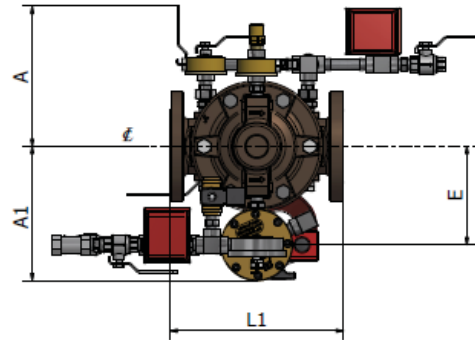
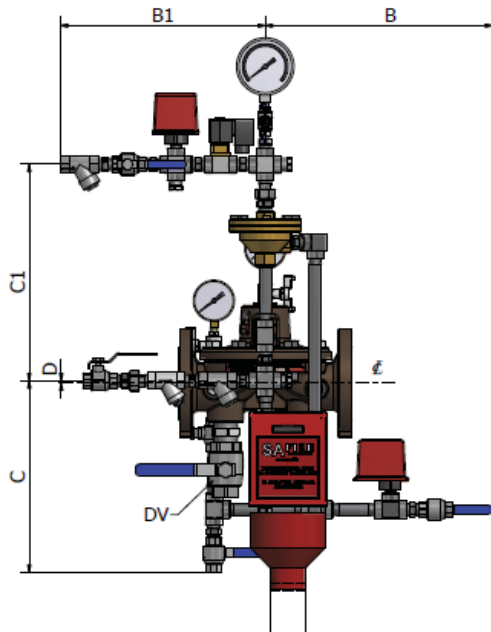
(6) Outline e dimensioni proposte si riferiscono alla versione UL. La configurazione del trim di controllo può variare in base agli accessori e alle opzioni selezionate. Peso riferito a flangia ANSI 150 RF.

Notes:

(6) Outline and dimensions refer to the UL version. The trim configuration may vary according to the accessories and the options selected. Weight referred to the flange ANSI 150 RF.

Dimensioni e Pesì ⁽⁶⁾ – Trim orizzontale

Dimensions and Weights ⁽⁶⁾ – Horizontal Trim



Ø Corpo Ø Body	Flangia Flange	L1	A	A1	B	B1	C	C1	D	E	DV	Peso Weight
		mm	mm	mm	mm	mm	mm	mm	mm	mm	Ø	kg
6" (DN 150)	ANSI 150 RF	413	284	273	419	359	331	444	64	210	2"	76,8
	ANSI 150 FF	410										
	ANSI 300 RF	435										
	ANSI 300 FF	432										
	UNI EN 1092-1 PN16	410										
	UNI EN 1092-1 PN25	422										
8" (DN 200)	ANSI 150 RF	527	315	300	428	359	303	497	118	237	2"	112,6
	ANSI 150 FF	524										
	ANSI 300 RF	552										
	ANSI 300 FF	551										
	UNI EN 1092-1 PN16	522										
	UNI EN 1092-1 PN25	534										
10" (DN 250)	ANSI 150 RF	630	335	333	528	359	336	518	139	271	2"	179,1
	ANSI 150 FF	627										
	ANSI 300 RF	666										
	ANSI 300 FF	663										
	UNI EN 1092-1 PN16	634										
	UNI EN 1092-1 PN25	642										

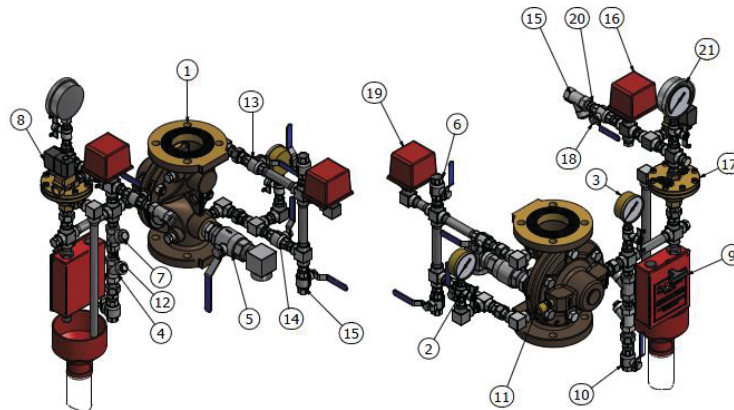
Note:

(6) Outline e dimensioni proposte si riferiscono alla versione UL. La configurazione del trim di controllo può variare in base agli accessori e alle opzioni selezionate. Peso riferito a flangia ANSI 150 RF.

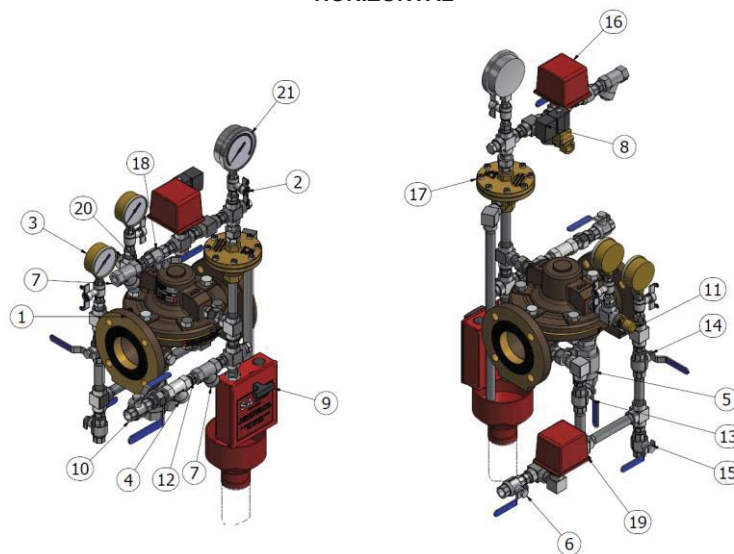
Notes:

(6) Outline and dimensions refer to the UL version. The trim configuration may vary according to the accessories and the options selected. Weight referred to the flange ANSI 150 RF.

VERTICAL



HORIZONTAL



Posizioni

1. Valvola a diluivo
2. Valvola intercettazione manometro
3. Manometro acqua
4. Filtro a Y
5. Valvola di drenaggio principale
6. Valvola intercettazione campana idraulica
7. Valvola di non ritorno
8. Elettrovalvola
9. Comando manuale di emergenza
10. Valvola alimentazione trim acqua
11. Valvola di sfiato manuale
12. Orifizio calibrato trim acqua
13. Valvola isolamento allarmi NA
14. Valvola di test allarmi NC
15. Valvola drenaggio linea allarmi
16. Pressostato aria bassa pressione
17. Attuatore pneumatico
18. Valvola alimentazione trim aria
19. Pressostato acqua di allarme
20. Orifizio calibrato trim aria
21. Manometro aria

Items

1. Deluge valve
2. Gauge isolation valve
3. Water pressure gauge
4. Y strainer
5. Main drain valve
6. Water gong isolation valve
7. Check valve
8. Solenoid valve
9. Emergency Manual Release
10. Priming valve water trim
11. Manual vent valve
12. Restriction orifice water trim
13. NO alarm isolation valve
14. NC alarm test valve
15. Alarm line drain valve
16. Air pressure switch low pressure
17. Pneumatic actuator
18. Priming valve air trim
19. Alarm line water pressure switch
20. Restriction orifice air trim
21. Air pressure gauge

Note:

(7) Outline proposto si riferisce alla versione UL. La configurazione del trim di controllo può variare in base agli accessori e alle opzioni selezionate

Notes:

(7) Outline refer to the UL version. The trim configuration may vary according to the accessories and the options selected

Principio di funzionamento

In normale esercizio (valvola chiusa) la camera di controllo è mantenuta in pressione dalla linea principale attraverso il trim. Tale pressione fa aderire la membrana all'apposita sede di contatto ricavata nel corpo valvola, garantendo la tenuta necessaria per mantenere la valvola chiusa.

Il trim di controllo è costituito da una linea acqua, mantenuta chiusa dall'attuatore pneumatico e dal comando manuale di emergenza, e da una linea aria, mantenuta chiusa dalla elettrovalvola.

In caso di incendio (valvola aperta) l'apertura della elettrovalvola tramite comando remoto determina lo svuotamento della linea aria e la conseguente apertura dell'attuatore pneumatico, facendo defluire l'acqua nella camera di controllo. La pressione della linea principale risulta quindi in grado di separare la membrana dalla sede di contatto sul corpo valvola, aprendo completamente la valvola e consentendo il flusso dell'acqua verso l'impianto di spegnimento e gli eventuali dispositivi di allarme. La valvola a diluvio può essere in alternativa aperta localmente tramite il comando manuale di emergenza.

Un orifizio calibrato sulla linea aria riduce l'afflusso di aria rispetto al passaggio della elettrovalvola, consentendo l'apertura dell'attuatore pneumatico. Un orifizio calibrato sulla linea acqua riduce l'afflusso di acqua rispetto al passaggio dell'attuatore pneumatico, consentendo l'apertura della camera di controllo.

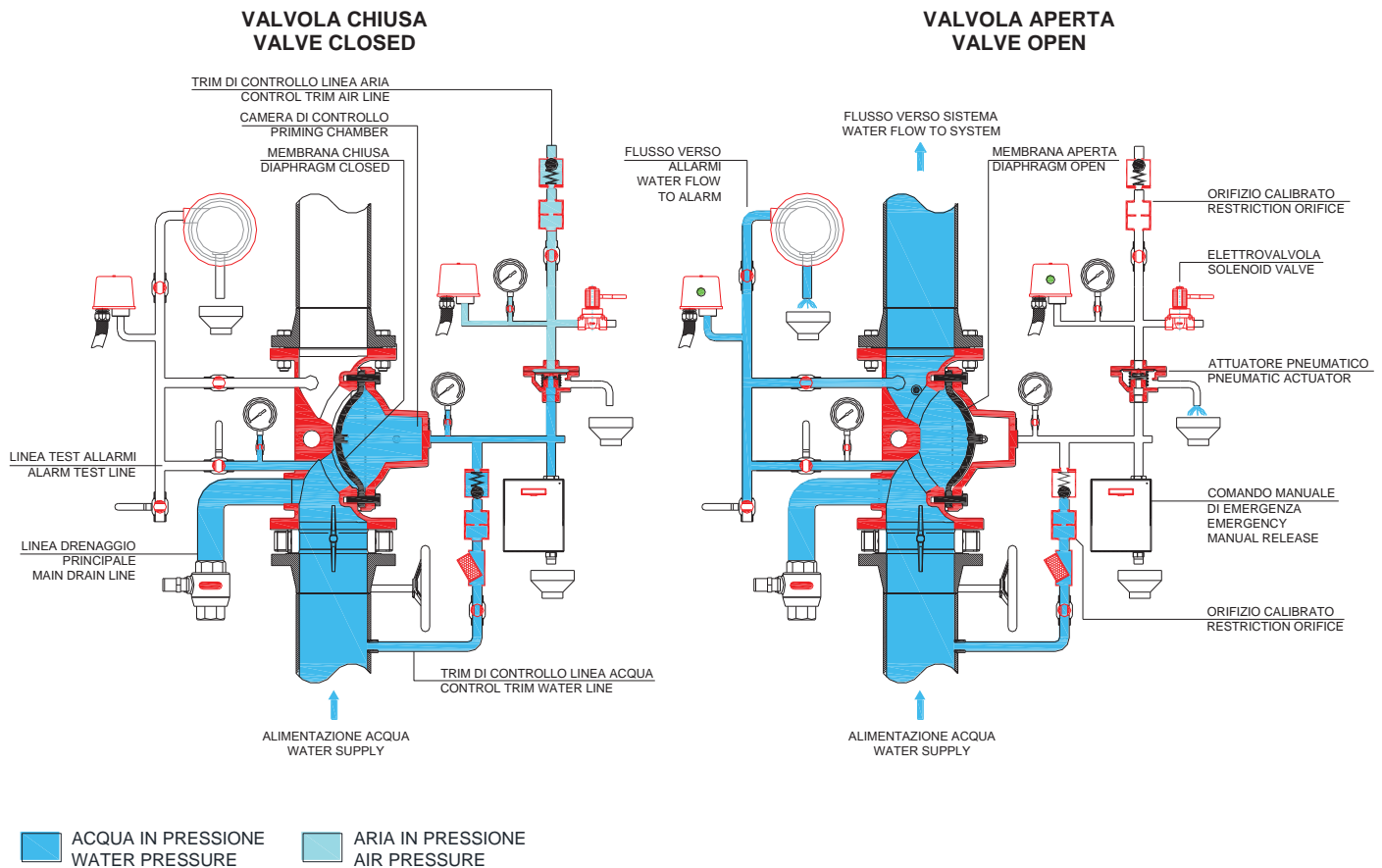
Principle of operation

In normal operating conditions (valve closed) the water is supplied to the priming chamber through the trim. The pressure of the water trapped in the priming chamber holds the diaphragm on the valve seat, keeping the valve closed.

The control trim comprises a water line held closed by the pneumatic actuator and the emergency manual release, and an air line held closed by the solenoid valve.

In fire conditions (valve open) the opening of the solenoid valve via remote signal allows the discharge of the air line and the subsequent opening of the pneumatic actuator, releasing the pressure from the priming chamber. The water supply pressure in the inlet chamber forces the diaphragm off from seat, allowing water to flow into the system and the alarm devices. Alternatively, the deluge valve can be opened locally through the emergency manual release.

A restriction orifice in the air line reduces the air inlet compared to the internal passage of the solenoid valve, allowing the opening of the pneumatic actuator. A restriction orifice in the water line reduces the water inlet compared to the internal passage of the pneumatic actuator, allowing the opening of the priming chamber.



Codice Identificativo
Identification Form

Mod. / / /

①
②
③
④
⑤
⑥
⑦
⑧
⑨
⑩
⑪
⑫

OPZIONI/OPTIONS

/

⑬
⑭
⑮
⑯
⑰
⑱
⑲
⑳
㉑

Quantità / Quantity

VALVOLA A DILUVIO ON/OFF ELETTRO-PNEUMATICA VD/OF/EP
DELUGE VALVE ON/OFF ELECTRO-PNEUMATIC VD/OF/EP

TIPOLOGIA TYPE	①	Tipologia Type	Valvola a diluvio ON/OFF elettro-pneumatica Deluge valve ON/OFF electro-pneumatic	VD/OF/EP <input checked="" type="checkbox"/>	
VALVOLA VALVE	②	Materiale Material	Nichel Alluminio Bronzo ASTM B148 C95800 Nickel Aluminum Bronze ASTM B148 C95800	CBA10 <input type="checkbox"/>	Materiale standard Standard material
			Bronzo EN 1982 – CC491K Bronze EN 1982 – CC491K	CBG10 <input type="checkbox"/>	
			Acciaio inox AISI 316 Stainless steel AISI 316	CAI12 <input type="checkbox"/>	
	③	Dimensione Size	2"	2 <input type="checkbox"/>	
			2 1/2"	2M <input type="checkbox"/>	
			3"	3 <input type="checkbox"/>	
			4"	4 <input type="checkbox"/>	
			6"	6 <input type="checkbox"/>	
			8"	8 <input type="checkbox"/>	
	④	Flangia Flange	ANSI 150 RF	150RF <input type="checkbox"/>	Tipologia standard Standard type
			ANSI 150 FF	150FF <input type="checkbox"/>	
			ANSI 300 RF	300RF <input type="checkbox"/>	
ANSI 300 FF			300FF <input type="checkbox"/>		
UNI EN PN16			PN16 <input type="checkbox"/>		
UNI EN PN25			PN25 <input type="checkbox"/>		
Altro Other			F <input type="checkbox"/>	Specificare in Note la tipologia di flangia richiesta Specify in Notes the type of flange requested	
TRIM	⑤	Configurazione Configuration	Trim verticale Vertical trim	TV <input type="checkbox"/>	
			Trim orizzontale Horizontal trim	TH <input type="checkbox"/>	
			Trim a pannello Panel mounted trim	TP <input type="checkbox"/>	

Prosegue alla pagina seguente / Continue to the next page

TRIM	6	Tubi / raccordi / valvolo / drenaggio principale Tubing / fittings / valves / main drain valve	Acciaio inox AISI 316/316L Stainless Steel AISI 316/316L	TAI <input type="checkbox"/>	
			Monel/Bronzo/Nichel Alluminio Bronzo Monel/Bronze/Nickel Aluminum Bronze	TMO <input type="checkbox"/>	
	7	Accessori (valvola di sfiato manuale, attuatore pneumatico NO) Accessories (manual vent valve, pneumatic actuator NO)	Corpo Nichel Alluminio Bronzo, parti interne Acciaio inox Body Nickel Aluminum Bronze, internal parts Stainless steel	ABA <input type="checkbox"/>	
			Corpo Acciaio inox, parti interne Nichel Alluminio Bronzo Body Stainless steel, internal parts Nickel Aluminum Bronze	AAI <input type="checkbox"/>	
			Corpo Nichel Alluminio Bronzo, parti interne Monel Body Nickel Aluminum Bronze, internal parts Monel	AMO <input type="checkbox"/>	
	8	Manometro acqua Pressure gauge water line	PGW101 – Acciaio inox, scala 0 – 300 psi PGW101 – Stainless steel, span 0 – 300 spi	PGW101 <input type="checkbox"/>	
			PG111 – Ottone, scala 0 – 600 psi. PG111 – Brass, span 0 – 600 psi	PG111 <input type="checkbox"/>	
PG232 – Acciaio inox, scala 0 – 25 bar PG232 – Stainless steel, span 0 – 25 bar			PG23225 <input type="checkbox"/>		
PG262 – Acciaio inox/Monel, scala 0 – 25 bar PG262 – Stainless steel/Monel, span 0 – 25 bar			PG26225 <input type="checkbox"/>		
PG232 – Acciaio inox, scala 0 – 40 bar PG232 – Stainless steel, span 0 – 40 bar			PG23240 <input type="checkbox"/>		
PG262 – Acciaio inox/Monel, scala 0 – 40 bar PG262 – Stainless steel/Monel, span 0 – 40 bar			PG26240 <input type="checkbox"/>		
ELETTROVALVOLA SOLENOID VALVE	9	Modello Modello	SV5404 – Ottone, 2/2 vie servo-attuata SV5404 – Brass, 2/2 way with servo-piston	SV5404 <input type="checkbox"/>	
			SV238 – Acciaio inox, 2/2 vie servo-attuata SV238 – Stainless steel, , 2/2 way with servo-piston	SV238 <input type="checkbox"/>	
			SVICO4 – Acciaio inox, 3/2 vie azionamento diretto SVICO4 – Stainless steel, 3/2 way direct acting	SVICO4AI <input type="checkbox"/>	
			SVICO4 – Nichel Alluminio Bronzo, 3/2 vie azionamento diretto SVICO4 – Nickel Aluminum Bronze, 3/2 way direct acting	SVICO4BA <input type="checkbox"/>	
	10	Alimentazione Voltage	24 Vcc 24 Vdc	24DC <input type="checkbox"/>	
			110 Vcc 110 Vdc	110DC <input type="checkbox"/>	
			110 Vca 110 Vac	110AC <input type="checkbox"/>	
			Altro Other	V <input type="checkbox"/>	Specificare in Note l'alimentazione richiesta Specify in Notes the voltage requested
	11	Funzionamento Operation	Normalmente chiusa Normally closed	NC <input type="checkbox"/>	
			Normalmente aperta Normally open	NO <input type="checkbox"/>	
	12	Area di installazione Area of installation	Area sicura Safe area	S <input type="checkbox"/>	Non disponibile per Mod. SVICO4 Not available for Mod. SVICO4
			ATEX – Zona 1 e 2 ATEX – Zone 1 e 2	A1 <input type="checkbox"/>	

Prosegue alla pagina seguente / Continue to the next page

OPZIONI OPTIONS	13	Limit switch	Sensore di posizione IP per membrana Diaphragm Position Monitoring System IP	DPMS <input type="checkbox"/>		
			Sensore di posizione ATEX per membrana Diaphragm Position Monitoring System ATEX	DPMSA <input type="checkbox"/>		
	14	Drenaggio principale aggiuntivo Additional main drain	Seconda valvola di drenaggio principale a valle Second main drain valve downstream	2MD <input type="checkbox"/>		
	15	Drenaggio automatico Automatic drain	Corpo Nichel Alluminio Bronzo, parti interne Acciaio inox Body Nickel Aluminum Bronze, internal parts Stainless steel	DABA <input type="checkbox"/>		
			Corpo Acciaio inox, parti interne Nichel Alluminio Bronzo Body Stainless steel, internal parts Nickel Aluminum Bronze	DAAI <input type="checkbox"/>		
			Corpo Nichel Alluminio Bronzo, parti interne Monel Body Nickel Aluminum Bronze, internal parts Monel	DAMO <input type="checkbox"/>		
	16	Pressostato acqua di allarme Alarm water pressure switch	Zona sicura Safe Area	PS10 <input type="checkbox"/>		
			ATEX – Zona 1 e 2 ATEX – Zone 1 e 2	PS9681H <input type="checkbox"/>		
			ATEX – Zona 1 e 2 – Acciaio inox/Monel ATEX – Zone 1 e 2 – Stainless steel/Monel	PSUE12H <input type="checkbox"/>		
17	Trasmettitore di pressione acqua di allarme Alarm water pressure transmitter	ATEX – Zona 1 e 2 – Acciaio inox ATEX – Zone 1 e 2 – Stainless steel	PT3051HAI <input type="checkbox"/>			
		ATEX – Zona 1 e 2 – Monel ATEX – Zone 1 e 2 – Monel	PT3051HMO <input type="checkbox"/>			
18	Pressostato aria Air pressure switch	Zona sicura Safe Area	PS40 <input type="checkbox"/>			
		ATEX – Zona 1 e 2 ATEX – Zone 1 e 2	PS9681L <input type="checkbox"/>			
19	Trasmettitore di pressione aria Air line pressure transmitter	ATEX – Zona 1 e 2 – Acciaio inox ATEX – Zone 1 e 2 – Stainless steel	PT3051LAI <input type="checkbox"/>			
20	Campana idraulica Water motor gong	Campana idraulica di allarme Water motor alarm gong	WG <input type="checkbox"/>			
21	Verniciatura Painting	Finitura diversa da standard SA Finishing different from SA standard	C <input type="checkbox"/>		Specificare in Note il ciclo di verniciatura richiesta. Specify in Notes the painting procedure required.	
NOTE NOTES						
CLIENTE / CLIENT:		PROGETTO / PROJECT:	DOC. No.:	REV.:		
EMESSO / ISSUED:		CONTROLLATO / CHECKED:	APPROVATO / APPROVED:			
DATA / DATE:		DATA / DATE:	DATA / DATE:			

VALVOLA A DILUVIO A DOPPIA CAMERA MOD. VDD
DOUBLE CHAMBER DELUGE VALVE MOD. VDD



Descrizione



Le valvole a diluvio a doppia camera Mod. VDD sono valvole a membrana disponibili nelle dimensioni da 3" (DN 80) a 8" (DN 200).

Le due camere di controllo, ciascuna dotata di una propria membrana ed un trim di controllo dedicato, garantiscono una completa ridondanza del sistema con notevole incremento dei requisiti di sicurezza funzionale del dispositivo.

Le valvole a diluvio a doppia camera VDD sono utilizzate per il controllo del flusso di acqua in impianti a diluvio, a preazione, a riduzione di pressione e ON/OFF e in sistemi acqua/schiuma. Quando dotate dei relativi accessori (pressostato, campana idraulica) sono in grado di azionare gli allarmi all'attivazione del sistema.

In condizione di normale esercizio la valvola VDD è mantenuta chiusa dalla pressione dell'acqua nelle due camere di controllo. In caso di incendio il sistema di rilascio determina il deflusso dell'acqua dalle camere di controllo e l'apertura della valvola sotto l'effetto della pressione della linea di alimentazione.

La valvola a diluvio Mod. VDD può essere installata in posizione verticale o orizzontale. La valvola può essere riarmata dall'esterno senza necessità di essere aperta. I coperchi di ispezione consentono la manutenzione della valvola e la sostituzione delle membrane mantenendo la valvola montata sulla linea principale. La manutenzione può essere effettuata alternativamente su una delle due camere e sul relativo trim di controllo, mantenendo il sistema a diluvio in servizio attraverso l'altra camera e l'altro trim.

La valvola a diluvio Mod. VDD è compatibile con sistemi di controllo (trim) ad azionamento elettrico, elettro-pneumatico e pneumatico.

I materiali di costruzione rendono la valvola a diluvio idonea per l'impiego con acqua di mare o soluzioni schiumogene all'interno di ambienti industriali ad alta aggressività o in applicazioni offshore.

Description



The double chamber deluge valves Mod. VDD are diaphragm type valves available in diameter sizes from 3" (DN 80) to 8" (DN 200).

The two priming chambers, each one provided with its own diaphragm and control trim, provide fully redundancy improving the safety availability of the system.

The double chamber deluge valves VDD are used to control water flow in deluge, preaction, pressure reducing and ON/OFF fire protection systems. With the proper additional accessories installed (pressure switch, water motor alarm), they are able to provide actuation of fire alarms upon system operation.

In normal operating conditions the valve is held closed by the water pressure in the two priming chambers. In fire conditions water is released from the priming chambers through the release systems of the trims, and the valve latches open under the effect of the water supply pressure.

The deluge valve Mod. VDD can be installed in vertical or horizontal position. It is designed for external resetting, without opening the valve.

The cover plates allow in-line maintenance and field replace of the diaphragms to be performed.

The deluge valve Mod. VDD is compatible with electric, electro-pneumatic and pneumatic release systems (trims).

The materials of construction make it suitable for being used with sea water or water foam solution within industrial harsh environments & offshore applications.

Caratteristiche principali della valvola a doppia camera Mod. VDD

Linea di bypass integrata

La valvola a diluvio brevettata modello VDD contiene al suo interno due camere di controllo distinte, ciascuna dotata di una propria membrana ed una linea di trim dedicata. Il sistema risulta così completamente ridondato, essendo i due trim controllati da due segnali di comando distinti.

Ciascuna camera di controllo garantisce un flusso di acqua analogo a quello di una valvola a diluvio classica di pari dimensione. In caso di mancata apertura di una camera di controllo, l'apertura dell'altra camera consente il passaggio di tutta la portata di acqua necessaria per il corretto funzionamento del sistema di spegnimento.

Sistema in grado di sopperire ad una doppia avaria

Un ponte idraulico fra le due linee di trim consente a ciascun trim di far defluire l'acqua contenuta in entrambe le camere di controllo della valvola. In caso di fallimento di uno dei due trim, l'apertura dell'altro trim ed il ponte idraulico fra i due consentono l'apertura di entrambe le camere di controllo.

La valvola a doppia camera risulta così in grado di sopperire ad una doppia avaria trim + camera di controllo.

Sistema di spegnimento sempre in servizio

La valvola a diluvio a doppia camera consente di effettuare la manutenzione ordinaria e straordinaria della valvola mantenendo sempre in funzione il sistema di spegnimento.

La valvola a diluvio a doppia camera è dotata infatti di due valvole di isolamento, una in ingresso e l'altra in uscita dalla valvola. In condizioni di normale funzionamento le due valvole sono posizionate longitudinalmente rispetto all'asse della valvola. In caso di manutenzione le due valvole possono essere ruotate di 90°, isolando la camera di controllo soggetta a manutenzione e mantenendo in funzione il sistema di spegnimento attraverso l'altra camera.

Un sistema di visualizzazione esterno e dei sensori di prossimità consentono di monitorare la posizione delle due valvole di isolamento interne, mentre un sistema di bloccaggio ne impedisce la rotazione accidentale o errata.

Main characteristics of the double chamber deluge valve Mod. VDD

Built-in bypass line

The patented deluge valve Model VDD has two priming chambers, each one provided with its own diaphragm and trim. The system is fully redundant, with the trims controlled by two independent automatic release systems.

Each priming chamber is designed to provide a waterway equal to the waterway provided by a classic deluge valve of the same diameter size. In case of failure of one diaphragm, the opening of the other diaphragm provides the nominal design waterway for the correct operation of the fire suppression system.

Designed to overcome a double failure

A hydraulic bridge between the trims allows each trim to control both the diaphragms, releasing the water trapped in the two priming chambers. In case of failure of one trim, the other trim can open both the priming chambers through a hydraulic bridge. Thus the double chamber deluge valve can overcome a double failure trim + priming chamber.

Fire suppression system always in service

The double chamber deluge valve allows in-line maintenance to be performed, keeping the fire suppression system in service. In fact, the double chamber deluge valve has two built-in isolation valves located upstream and downstream of the diaphragms respectively.

During normal operation the isolation valves are in neutral position. During maintenance the isolation valves can be alternatively turned right or left to isolate the priming chamber which is to be maintained. Meanwhile, the other priming chamber remains on duty keeping the fire suppression system in service.

An external indicator and proximity sensors allow the position of the two valves to be monitored, and a locking system prevents their accidental or incorrect rotation.

Caratteristiche tecniche

- Materiali disponibili:
 - Nichel Alluminio Bronzo ASTM B148 C95800
 - Bronzo EN 1982 – CC491K
- Materiale membrana: EPDM rinforzato
- Vite di serraggio coperchio: Acciaio inox AISI 316
- Flange disponibili ANSI B16.24 o UNI EN 1092-1
- Pressione di progetto ⁽¹⁾: 26 bar
- Pressione di test: 39 bar
- Temperatura dell'acqua: da 0,5°C a 90°C
- Minima pressione di esercizio: 1,38 bar (20 psi)
- Predisposizione attacco valvola di drenaggio principale a monte

Finitura:

- Al naturale

Technical characteristics

- Body material to be selected among:
 - Nickel Aluminum Bronze ASTM B148 C95800
 - Bronze EN 1982 – CC491K
- Diaphragm material: EPDM fabric reinforced
- Nuts and bolts material: Stainless steel AISI 316
- Flanges ANSI B16.24 or UNI EN 1092-1
- Design pressure ⁽¹⁾: 26 bar
- Test pressure: 39 bar
- Water temperature: from 0,5 °C to 90°C
- Minimum working pressure: 1.38 bar (20 psi)
- Connection for main drain valve upstream

Finish:

- Natural

Certificazioni

- Certificato di validazione SIL 3 emesso da Bureau Veritas
- In attesa di certificazione UL ⁽²⁾: pressione di esercizio da 1,38 bar (20 psi) a 20,7 bar (300 psi), dimensioni da 3" a 8"

Certifications

- Validation certificate for SIL 3 systems issued by Bureau Veritas
- Under application for the UL Listing ⁽²⁾ program: working pressure from 20 psi (1,38 bar) to 300 psi (20,7 bar), sizes from 3" to 8"

Prestazioni idrauliche

DUE CAMERE

	Dimensione valvola			
	3"	4"	6"	8"
K_v ((m ³ /h)/√bar)	180	288	686	1084
$L_{eq}^{(3)}$ (m)	6.2	9.8	14.4	23.9

UNA CAMERA

	Dimensione valvola			
	3"	4"	6"	8"
K_v ((m ³ /h)/√bar)	121	182	468	703
$L_{eq}^{(3)}$ (m)	13.6	24.6	31.0	56.7

Hydraulic performance

TWO CHAMBERS

	Valve size			
	3"	4"	6"	8"
C_v (gpm/√psi)	210	336	800	1265
$L_{eq}^{(3)}$ (ft)	20.2	32.2	47.3	78.3

ONE CHAMBER

	Valve size			
	3"	4"	6"	8"
C_v (gpm/√psi)	141	213	546	821
$L_{eq}^{(3)}$ (ft)	44.8	80.6	101.7	185.9

Note

- (1) La massima pressione di esercizio può essere limitata dalla flangiatura selezionata e dalla tipologia di trim di controllo.
- (2) Alcuni accessori e opzioni proposti potrebbero non essere coperti da certificazione UL. Per maggiori informazioni verificare i dettagli dell'approvazione o contattare SA Fire Protection
- (3) Lunghezza equivalente riferita alla velocità di 4,57 m/s, tubo SCH 40 e C-factor = 120

Notes

- (1) The maximum working pressure could be limited by the selected flange and control trim type.
- (2) Some of the proposed accessories and options may not be covered by the UL Listing. For more details refer to the Approval details or contact SA Fire Protection
- (3) Equivalent length calculated at 15 ft/s, pipe SCH 40 and C-factor = 120

Parametri sicurezza funzionale

- λ_D : Rateo di guasto Dangerous
- λ_S : Rateo di guasto Safe
- λ_{DD} : Rateo di guasto Dangerous Detectable
- SFF: Safe Failure Fraction
- PFD_{avg} : Probabilità media di guasto su richiesta

Functional safety parameters

- λ_D : Rate of Dangerous failure
- λ_S : Rate of Safe failure
- λ_{DD} : Rate of Dangerous Detectable failure
- SFF: Safe Failure Fraction
- PFD_{avg} : Average Probability of Failure on Demand

Trim ⁽⁴⁾	λ_D	λ_S	λ_{DD}	SFF	PFD_{avg}
Diluvio elettrica Deluge electric	$1,170 \cdot 10^{-06}$	$2,831 \cdot 10^{-05}$	$1,147 \cdot 10^{-06}$	>99,9%	$5,81 \cdot 10^{-04}$
Diluvio elettro-pneumatica Deluge electro-pneumatic	$1,181 \cdot 10^{-06}$	$2,865 \cdot 10^{-05}$	$1,154 \cdot 10^{-06}$	>99,9%	$6,00 \cdot 10^{-04}$
Diluvio ON/OFF elettrica Deluge ON/OFF electric	$1,230 \cdot 10^{-06}$	$3,145 \cdot 10^{-05}$	$1,197 \cdot 10^{-06}$	>99,9%	$6,53 \cdot 10^{-04}$
Diluvio ON/OFF elettro-pneumatica Deluge ON/OFF electro-pneumatic	$1,241 \cdot 10^{-06}$	$3,179 \cdot 10^{-05}$	$1,204 \cdot 10^{-06}$	>99,9%	$6,72 \cdot 10^{-04}$

Opzioni

- Trim di controllo
- Sensore di posizione per membrana
- Predisposizione attacco drenaggio principale aggiuntivo a valle
- Valvola di drenaggio automatico
- Sensori di prossimità per monitoraggio valvole isolamento interne
- Finitura diversa dallo Standard SA
- Per ulteriori opzioni o versioni speciali contattare SA Fire Protection

Optional

- Control trim
- Diaphragm position monitoring system
- Connection for additional main drain valve downstream
- Automatic drain valve
- Proximity sensors for monitoring the built-in isolation valves
- Finish different from Standard SA
- For additional options or special versions contact SA Fire Protection

Note:

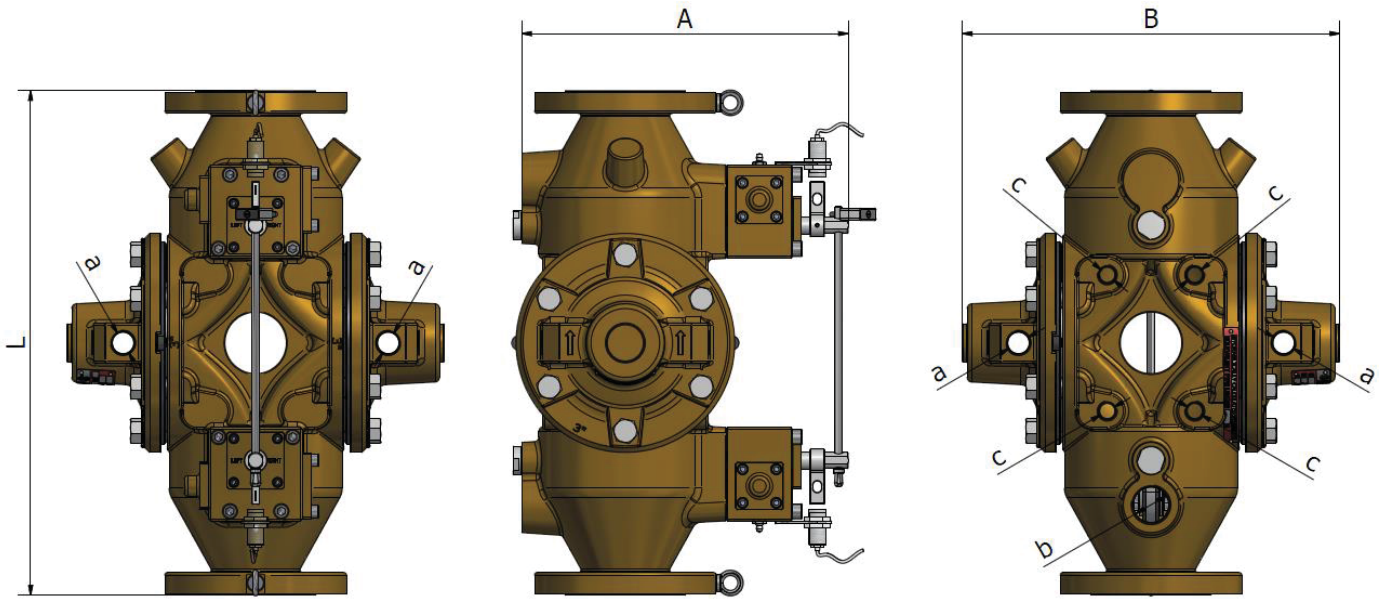
(4) Alcuni accessori e opzioni proposti potrebbero non essere coperti da certificazione SIL. Per maggiori informazioni contattare SA Fire Protection.

Notes:

(4) Some of the proposed accessories and options may not be covered by the SIL Certificate. For more details contact SA Fire Protection.

Dimensioni e Pesì

Dimensions and Weights



Ø Corpo Ø Body	Flangia Flange	L	A	B	a	b	c	Peso ⁽⁴⁾ Weight ⁽⁴⁾
		mm	mm	mm	Ø	Ø	Ø	kg
3" (DN 80)	ANSI 150 RF	529,6	343.5	396.8	3/4"	1 1/4"	1/2"	70
	ANSI 150 FF	526,4						
	ANSI 300 RF	539,2						
	ANSI 300 FF	536						
	UNI EN 1092-1 PN16	522						
	UNI EN 1092-1 PN25	530						
4" (DN 100)	ANSI 150 RF	569,6	369.5	432	3/4"	2"	1/2"	85
	ANSI 150 FF	566,4						
	ANSI 300 RF	585,4						
	ANSI 300 FF	582,2						
	UNI EN 1092-1 PN16	566						
	UNI EN 1092-1 PN25	574						
6" (DN 150)	ANSI 150 RF	744,8	452.5	631	3/4"	2"	1/2"	172
	ANSI 150 FF	741,6						
	ANSI 300 RF	767						
	ANSI 300 FF	763,8						
	UNI EN 1092-1 PN16	742						
	UNI EN 1092-1 PN25	754						
8" (DN 200)	ANSI 150 RF	959,2	522.5	788	3/4"	2"	1/2"	285
	ANSI 150 FF	956						
	ANSI 300 RF	984,2						
	ANSI 300 FF	981						
	UNI EN 1092-1 PN16	954						
	UNI EN 1092-1 PN25	966						

Note

(4) Peso riferito alla valvola con flange ANSI 150 RF

Notes

(4) Weight refers to the valve with flanges ANSI 150 RF

Principio di funzionamento

In normale esercizio (valvola chiusa) le due camere di controllo sono mantenute in pressione dalla linea principale attraverso il proprio trim. Tale pressione fa aderire le membrane alle apposite sedi di contatto ricavate nel corpo valvola, garantendo la tenuta necessaria per mantenere la valvola chiusa.

In caso di incendio (valvola aperta) l'apertura dei dispositivi di controllo dei due trim determina il deflusso dell'acqua contenuta nelle due camere di controllo. La pressione della linea principale risulta quindi in grado di separare le membrane dalle sedi di contatto sul corpo valvola, aprendo completamente la valvola e consentendo il flusso dell'acqua verso il sistema di spegnimento e gli eventuali dispositivi di allarme.

In manutenzione (una camera isolata) le camere di controllo possono essere isolate e ispezionate alternativamente ruotando le valvole di isolamento interne, mantenendo il sistema in servizio attraverso l'altra camera.

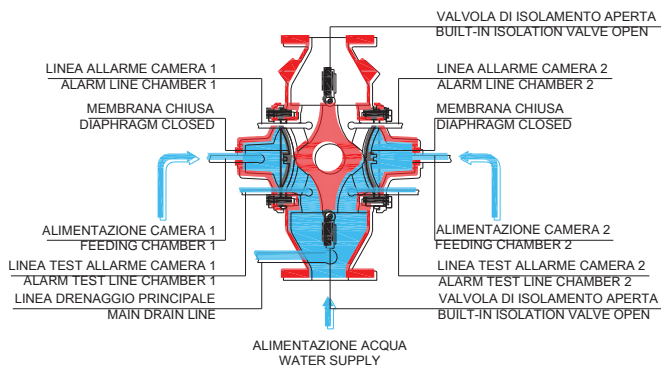
Principle of operation

In normal operating conditions (valve closed) the water is supplied to the priming chambers through the trims. The pressure of the water trapped in the priming chambers holds the diaphragms on the valve seats, keeping the valve closed.

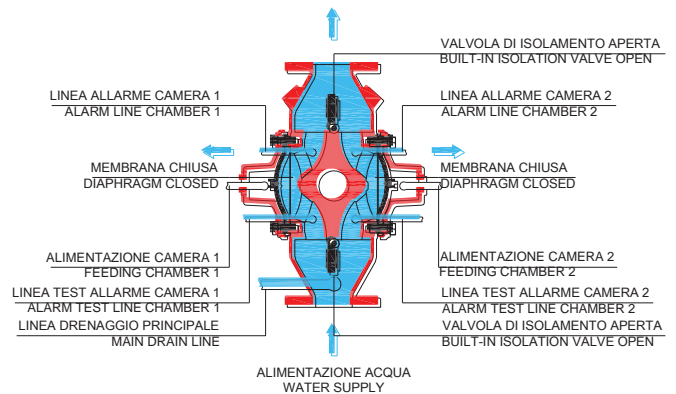
In fire conditions (valve open) the pressure is released from the control chambers by the automatic or manual release devices of the trims. The water supply pressure in the inlet chamber forces the diaphragms off the seats, allowing water to flow into the system and the alarm devices.

During maintenance (one chamber isolated) the two priming chambers can be alternatively isolated and inspected turning the in-built isolation valves, keeping the fire protection system in service through the other chamber.

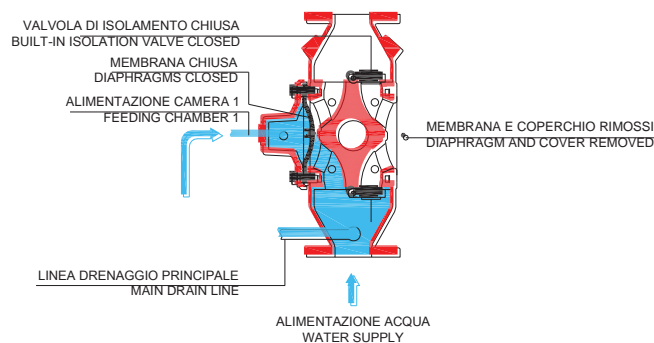
VALVOLA CHIUSA VALVE CLOSED



VALVOLA APERTA VALVE OPEN



CAMERA 2 IN MANUTENZIONE E CAMERA 1 IN SERVIZIO CHAMBER 2 IN MAINTENANCE AND CHAMBER 1 IN SERVICE



 ACQUA IN PRESSIONE
WATER PRESSURE

Codice Identificativo
Identification Form

OPZIONI / OPTIONS

Mod. / / / / / / / / / /

1
 2
 3
 4
 5
 6
 7
 8
 9
 10

Quantità / Quantity

VALVOLA A DILUVIO A DOPPIA CAMERA VDD / DOUBLE CHAMBER DELUGE VALVE VDD					
TIPOLOGIA TYPE	1	Tipologia Type	Valvola a diluvio a doppia camera Double chamber deluge valve	VDD <input checked="" type="checkbox"/>	
CORPO BODY	2	Materiale Material	Nichel Alluminio Bronzo ASTM B148 C95800 Nickel Aluminum Bronze ASTM B148 C95800	CBA10 <input type="checkbox"/>	Materiale standard Standard material
			Bronzo EN 1982 – CC491K Bronze EN 1982 – CC491K	CBG10 <input type="checkbox"/>	
	3	Dimensione Size	3"	3 <input type="checkbox"/>	
			4"	4 <input type="checkbox"/>	
6"			6 <input type="checkbox"/>		
8"			8 <input type="checkbox"/>		
FLANGIA FLANGE	4	Tipologia Type	ANSI 150 RF	150RF <input type="checkbox"/>	Tipologia standard Standard type
			ANSI 150 FF	150FF <input type="checkbox"/>	
			ANSI 300 RF	300RF <input type="checkbox"/>	
			ANSI 300 FF	300FF <input type="checkbox"/>	
			UNI EN PN16	PN16 <input type="checkbox"/>	
			UNI EN PN25	PN25 <input type="checkbox"/>	
			Altro Other	F <input type="checkbox"/>	Specificare in Note la tipologia di flangia richiesta. Specify in Notes the type of flange requested.
OPZIONI OPTIONS	5	Trim	Valvola a diluvio elettrica Deluge valve electric	D/E <input type="checkbox"/>	Specificare in Note materiali e accessori richiesti. Specify in Notes materials and accessories requested.
			Valvola a diluvio elettro-pneumatica Deluge valve electro-pneumatic	D/EP <input type="checkbox"/>	Specificare in Note materiali e accessori richiesti. Specify in Notes materials and accessories requested.
			Valvola a diluvio ON/OFF elettrica Deluge valve ON/OFF electric	OF/E <input type="checkbox"/>	Specificare in Note materiali e accessori richiesti. Specify in Notes materials and accessories requested.
			Valvola a diluvio ON/OFF elettro-pneumatica Deluge valve ON/OFF electro-pneumatic	OF/EP <input type="checkbox"/>	Specificare in Note materiali e accessori richiesti. Specify in Notes materials and accessories requested.

Prosegue alla pagina seguente / Continue to the next page

OPZIONI OPTIONS	5	Trim	Valvola riduttrice di pressione elettrica Pressure reducing valve electric	RP/E <input type="checkbox"/>	Specificare in Note materiali e accessori richiesti. Specify in Notes materials and accessories requested.
			Valvola riduttrice di pressione elettro-pneumatica Pressure reducing valve electro-pneumatic	RP/EP <input type="checkbox"/>	Specificare in Note materiali e accessori richiesti. Specify in Notes materials and accessories requested.
			Valvola riduttrice di pressione ON/OFF elettrica Pressure reducing valve ON/OFF electric	RPOF/E <input type="checkbox"/>	Specificare in Note materiali e accessori richiesti. Specify in Notes materials and accessories requested.
			Valvola riduttrice di pressione ON/OFF elettro-pneumatica Pressure reducing valve ON/OFF electro-pneumatic	RPOF/EP <input type="checkbox"/>	Specificare in Note materiali e accessori richiesti. Specify in Notes materials and accessories requested.
			Altro Other	T <input type="checkbox"/>	Specificare in Note la tipologia di trim richiesta. Specify in Notes the type of control trim requested.
	6	Limit switch	Sensore di posizione IP per membrana Diaphragm Position Monitoring System IP	DPMS <input type="checkbox"/>	
			Sensore di posizione ATEX per membrana Diaphragm Position Monitoring System ATEX	DPMSA <input type="checkbox"/>	
	7	Drenaggio principale aggiuntivo Additional main drain	Predisposizione attacco drenaggio principale aggiuntivo a valle Connection for additional main drain valve downstream	2MD <input type="checkbox"/>	
	8	Drenaggio automatico Automatic drain	Corpo Nichel Alluminio Bronzo, parti interne Acciaio inox Body Nickel Aluminum Bronze, internal parts Stainless steel	DABA <input type="checkbox"/>	
			Corpo Acciaio inox, parti interne Nichel Alluminio Bronzo Body Stainless steel, internal parts Nickel Aluminum Bronze	DAAI <input type="checkbox"/>	
			Corpo Nichel Alluminio Bronzo, parti interne Monel Body Nickel Aluminum Bronze, internal parts Monel	DAMO <input type="checkbox"/>	
	9	Sensori di prossimità Proximity sensors	Sensori di prossimità per monitorare posizione valvole di isolamento interne Proximity sensors for monitoring the position of the in-built isolation valves	SP <input type="checkbox"/>	
			Sensori di prossimità ATEX per monitorare posizione valvole di isolamento interne Proximity sensors ATEX for monitoring the position of the in-built isolation valves	SPA <input type="checkbox"/>	
	10	Verniciatura Painting	Finitura diversa da standard SA Finishing different from SA standard	C <input type="checkbox"/>	Specificare in Note il ciclo di verniciatura richiesta. Specify in Notes the painting procedure required.

NOTE
NOTES

CLIENTE / CLIENT:	PROGETTO / PROJECT:	DOC. No.:	REV.:
EMESSO / ISSUED:	CONTROLLATO / CHECKED:	APPROVATO / APPROVED:	
DATA / DATE:	DATA / DATE:	DATA / DATE:	

Diagrammi Prestazioni

Performance Diagrams

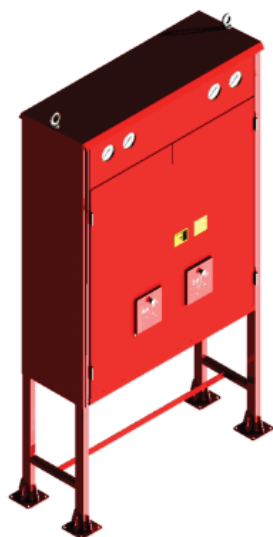
LEGENDA:
LEGEND:

— Due camere
Two chambers

- - - Una camera
One chamber

Dimensione / Size	Portata (L/min) / Perdita di carico (bar)	Flow rate (gpm) / Friction loss (psi)
<p>VDD 3''</p>		
<p>VDD 4''</p>		
<p>VDD 6''</p>		
<p>VDD 8''</p>		

VALVOLA A DILUVIO A DOPPIA CAMERA ELETTRICA MOD. VDD/D/E DOUBLE CHAMBER DELUGE VALVE ELECTRIC MOD. VDD/D/E



Descrizione



La valvola Mod. VDD/D/E è una valvola a diluvio a doppia camera ad azionamento elettrico disponibile nelle dimensioni da 3" (DN 80) a 8" (DN 200). Le due camere di controllo, ciascuna dotata di una propria membrana ed un trim di controllo dedicato, garantiscono una completa ridondanza del sistema con notevole incremento dei requisiti di sicurezza funzionale del dispositivo. Il trim di controllo completamente ridondato è assemblato su pannello esterno o all'interno di un cabinato, che può essere collegato alle relative connessioni della valvola a diluvio a doppia camera per mezzo di tubazioni flessibili o rigide.

Le valvole a diluvio Mod. VDD/D/E sono utilizzate per il controllo del flusso di acqua o acqua/schiuma in impianti water spray o schiuma con sistema di rivelazione di tipo elettrico. Quando dotate dei relativi accessori (pressostati, campana idraulica) sono in grado di azionare gli allarmi all'attivazione del sistema.

In condizione di normale esercizio la valvola a diluvio elettrica VDD/D/E è mantenuta chiusa dalla pressione dell'acqua nelle due camere di controllo. In caso di incendio l'apertura delle elettrovalvole installate sui due trim di controllo determina il deflusso dell'acqua dalle due camere di controllo e l'apertura della valvola sotto l'effetto della pressione della linea di alimentazione. L'apertura della valvola può essere operata inoltre manualmente utilizzando i relativi dispositivi di apertura manuale di emergenza sui trim di controllo. Ciascun trim è inoltre predisposto per la connessione di un eventuale comando manuale remoto sulla linea acqua.

La valvola a diluvio a doppia camera elettrica Mod. VDD/D/E è disponibile in configurazione verticale o orizzontale. La valvola può essere riarmata dall'esterno senza necessità di essere aperta. I coperchi di ispezione consentono la manutenzione della valvola e la sostituzione delle membrane mantenendo la valvola montata sulla linea principale. La manutenzione può essere effettuata alternativamente su una delle due camere e sul relativo trim di controllo, mantenendo il sistema a diluvio in servizio attraverso l'altra camera e l'altro trim. I materiali di costruzione rendono la valvola a diluvio idonea per l'impiego con acqua di mare o soluzioni schiumogene all'interno di ambienti industriali ad alta aggressività o in applicazioni offshore.

Description



The valve Mod. VDD/D/E is a double chamber deluge valve with electric actuation available in diameter sizes from 3" (DN 80) to 8" (DN 200). The two priming chambers, each one provided with its own diaphragm and control trim, provide fully redundancy improving the safety availability of the system. The fully redundant control trim is assembled on a panel or inside a closed cabinet, which can be connected to the relevant ports of the double chamber deluge valve through flexible or rigid tubing.

The deluge valves Mod. VDD/D/E are used to control water or foam/water flow in water spray or foam fire protection systems monitored by electric fire detection system. When equipped with the relevant accessories (pressure switch, water motor gong), they can provide actuation of fire alarms upon system operation.

In normal operating conditions the deluge valve electric VDD/D/E is held closed by the water pressure in the two control chambers. In fire conditions water is released from the control chambers through the opening of the two solenoid valves installed in the two control trims, and the valve latches open under the effect of the water supply pressure. The valve can be manually open through the emergency manual releases on the control trims. Each trim is also provided with a connection for an optional remote emergency manual release line.

The double chamber deluge valve electric Mod. VDD/D/E is available in vertical or horizontal configuration. It is designed for external resetting, without opening the valve. The cover plate allows in-line maintenance and field replace of the diaphragm to be performed. The maintenance activities can be performed alternatively on one of the two control chambers and relevant control trim, keeping the fire protection system in service through the other chamber and the other trim. The materials of construction make it suitable for being used with sea water or water foam solution within industrial harsh environments & offshore applications.

Caratteristiche principali della valvola a doppia camera Mod. VDD**Linea di bypass integrata**

La valvola a diluvio brevettata modello VDD contiene al suo interno due camere di controllo distinte, ciascuna dotata di una propria membrana ed una linea di trim dedicata. Il sistema risulta così completamente ridondato, essendo i due trim controllati da due segnali di comando distinti.

Ciascuna camera di controllo garantisce un flusso di acqua analogo a quello di una valvola a diluvio classica di pari dimensione. In caso di mancata apertura di una camera di controllo, l'apertura dell'altra camera consente il passaggio di tutta la portata di acqua necessaria per il corretto funzionamento del sistema di spegnimento.

Sistema in grado di sopperire ad una doppia avaria

Un ponte idraulico fra le due linee di trim consente a ciascun trim di far defluire l'acqua contenuta in entrambe le camere di controllo della valvola. In caso di fallimento di uno dei due trim, l'apertura dell'altro trim ed il ponte idraulico fra i due consentono l'apertura di entrambe le camere di controllo.

La valvola a doppia camera risulta così in grado di sopperire ad una doppia avaria trim + camera di controllo.

Sistema di spegnimento sempre in servizio

La valvola a diluvio a doppia camera consente di effettuare la manutenzione ordinaria e straordinaria della valvola mantenendo sempre in funzione il sistema di spegnimento.

La valvola a diluvio a doppia camera è dotata infatti di due valvole di isolamento, una in ingresso e l'altra in uscita dalla valvola. In condizioni di normale funzionamento le due valvole sono posizionate longitudinalmente rispetto all'asse della valvola. In caso di manutenzione le due valvole possono essere ruotate di 90°, isolando la camera di controllo soggetta a manutenzione e mantenendo in funzione il sistema di spegnimento attraverso l'altra camera.

Un sistema di visualizzazione esterno e dei sensori di prossimità consentono di monitorare la posizione delle due valvole di isolamento interne, mentre un sistema di bloccaggio ne impedisce la rotazione accidentale o errata.

Main characteristics of the double chamber deluge valve Mod. VDD**Built-in bypass line**

The patented deluge valve Model VDD has two priming chambers, each one provided with its own diaphragm and trim. The system is fully redundant, with the trims controlled by two independent automatic release systems.

Each priming chamber is designed to provide a waterway equal to the waterway provided by a classic deluge valve of the same diameter size. In case of failure of one diaphragm, the opening of the other diaphragm provides the nominal design waterway for the correct operation of the fire suppression system.

Designed to overcome a double failure

A hydraulic bridge between the trims allows each trim to control both the diaphragms, releasing the water trapped in the two priming chambers. In case of failure of one trim, the other trim can open both the priming chambers through a hydraulic bridge. Thus the double chamber deluge valve can overcome a double failure trim + priming chamber.

Fire suppression system always in service

The double chamber deluge valve allows in-line maintenance to be performed, keeping the fire suppression system in service. In fact, the double chamber deluge valve has two built-in isolation valves located upstream and downstream of the diaphragms respectively.

During normal operation the isolation valves are in neutral position. During maintenance the isolation valves can be alternatively turned right or left to isolate the priming chamber which is to be maintained. Meanwhile, the other priming chamber remains on duty keeping the fire suppression system in service.

An external indicator and proximity sensors allow the position of the two valves to be monitored, and a locking system prevents their accidental or incorrect rotation.

Caratteristiche tecniche

Valvola:

- Materiali corpo a scelta tra:
 - Nichel Alluminio Bronzo ASTM B148 C95800
 - Bronzo EN 1982 – CC491K
- Materiale membrana: EPDM rinforzato
- Vite di serraggio coperchio: Acciaio inox AISI 316
- Flange disponibili ANSI B16.24 o UNI EN 1092-1
- Pressione di progetto ⁽¹⁾: 26 bar
- Pressione di test: 41,4 bar
- Temperatura dell'acqua: da 0,5°C a 90°C
- Minima pressione di esercizio: 1,38 bar (20 psi)
- Valvola di drenaggio principale a monte
- Predisposizione attacco linea di comando manuale remoto ⁽²⁾

Finitura:

- Al naturale

Trim di controllo:

- Materiale pannello o cabinato a scelta tra:
 - Acciaio al carbonio zincato
 - Acciaio inox AISI 316
- Tubi / raccordi / valvole / drenaggio principale linea acqua:
 - Acciaio inox AISI 316/316L
 - Monel/Bronzo/Nichel Alluminio Bronzo
- Accessori (riarmo manuale, valvola di sfianto manuale):
 - Corpo Nichel Alluminio Bronzo, parti interne Acciaio inox
 - Corpo Acciaio inox, parti interne Nichel Alluminio Bronzo
 - Corpo Nichel Alluminio Bronzo, parti interne Monel
- Manometri acqua:
 - PGW101 – Acciaio inox, 0 – 300 psi / 0 – 2050 kPa, 4" x 1/4"
 - PG111 – Ottone, 0 – 600 psi, 2 1/2" x 1/4"
 - PG232 – Acciaio inox, 0 – 25 bar, 100 mm x 1/4"
 - PG262 – Acciaio inox/Monel, 0 – 25 bar, 100 mm x 1/4"
 - PG232 – Acciaio inox, 0 – 40 bar, 100 mm x 1/4"
 - PG262 – Acciaio inox/Monel, 0 – 40 bar, 100 mm x 1/4"

Ciclo verniciatura standard SA per cabinato:

- Pulizia manuale con solvente
- Primer epossidico 60 µm
- Intermedio epossidico 30 µm
- Finitura poliuretano 30 µm
- Spessore totale film secco 120 µm +/-10%
- Colore rosso RAL 3000

Prosegue alla pagina seguente / Continue to the next page

Note:

- (1) La massima pressione di esercizio può essere limitata dalla flangiatura e dalla elettrovalvola selezionata
- (2) Per il comando manuale di emergenza vedi DS N.30.20.40.60.

Technical characteristics

Valve:

- Body materials to be selected among:
 - Nickel Aluminum Bronze ASTM B148 C95800
 - Bronze EN 1982 – CC491K
- Diaphragm material: EPDM fabric reinforced
- Nuts and bolts material: Stainless steel AISI 316
- Flanges ANSI B16.24 or UNI EN 1092-1
- Design pressure ⁽¹⁾: 26 bar
- Test pressure: 41,4 bar
- Water temperature: from 0,5 °C to 90°C
- Minimum working pressure: 1.38 bar (20 psi)
- Main drain valve upstream
- Connection for remote emergency manual release line ⁽²⁾

Finish:

- Natural

Control trim:

- Panel or cabinet material to be selected among:
 - Galvanized carbon steel
 - Stainless steel AISI 316
- Tubing / fittings / valves / main drain valve for water line:
 - Stainless steel AISI 316/316L
 - Monel/Bronze/Nickel Aluminum Bronze
- Accessories (manual reset, manual vent valve):
 - Body Nickel Aluminum Bronze, internal parts Stainless steel
 - Body Stainless steel, internal parts Nickel Aluminum Bronze
 - Body Nickel Aluminum Bronze, internal parts Monel
- Water pressure gauges:
 - PGW101 - Stainless steel, 0 - 300 psi / 0 - 2050 kPa, 4" x 1/4"
 - PG111 – Brass, 0 – 600 psi, 2 1/2" x 1/4"
 - PG232 – Stainless steel, 0 – 25 bar, 100 mm x 1/4"
 - PG262 – Stainless steel/Monel, 0 – 25 bar, 100 mm x 1/4"
 - PG232 – Stainless steel, 0 – 40 bar, 100 mm x 1/4"
 - PG262 – Stainless steel/Monel, 0 – 40 bar, 100 mm x 1/4"

Painting system standard SA for cabinet:

- Manual cleaning solvent
- Epoxy primer 60 µm
- Epoxy Intermediate 30 µm
- Polyurethane finish 30 µm
- Total thickness 120 µm dry film +/-10%
- Colour red RAL 3000

Notes:

- (1) The maximum working pressure could be limited by the selected flange type and solenoid valve
- (2) For emergency manual release see DS N.30.20.40.60.

Caratteristiche tecniche

Elettrovalvola:

- Modelli disponibili:
 - SV5404 – Ottone, 2/2 vie servo-attuata
 - SV238 – Acciaio inox, 2/2 vie servo-attuata
 - SVICO4 – Acciaio inox, 3/2 vie azionamento diretto
 - SVICO4 – Nichel Alluminio Bronzo, 3/2 vie azionamento diretto
- Alimentazione:
 - 24 Vcc
 - 110 Vcc
 - 110 Vca
- Funzionamento:
 - Normalmente Chiusa NC
 - Normalmente Aperta NO
- Area di installazione:
 - Zona sicura
 - ATEX Zona 1 e 2

Technical characteristics

Solenoid valve:

- Models available:
 - SV5404 – Brass, 2/2 way with servo-piston
 - SV238 – Stainless steel, 2/2 way with servo-piston
 - SVICO4 – Stainless steel, 3/2 way direct acting
 - SVICO4 – Nickel Aluminum Bronze, 3/2 way direct acting
- Voltage:
 - 24 Vdc
 - 110 Vdc
 - 110 Vac
- Operation:
 - Normally Closed NC
 - Normally Open NO
- Installation area:
 - Safe Area
 - ATEX Zone 1 and 2

Certificazioni

- Certificato di validazione SIL 3 emesso da Bureau Veritas
- In attesa di certificazione UL ⁽³⁾: pressione di esercizio da 1,38 bar (20 psi) a 20,7 bar (300 psi), dimensioni da 3" a 8"

Certifications

- Validation certificate for SIL 3 systems issued by Bureau Veritas
- Under application for the UL Listing ⁽³⁾ program: working pressure from 20 psi (1,38 bar) to 300 psi (20,7 bar), sizes from 3" to 8"

Parametri sicurezza funzionale

- λ_D : Rateo di guasto Dangerous
- λ_S : Rateo di guasto Safe
- λ_{DD} : Rateo di guasto Dangerous Detectable
- SFF: Safe Failure Fraction
- PFD_{avg} : Probabilità media di guasto su richiesta

Functional safety parameters

- λ_D : Rate of Dangerous failure
- λ_S : Rate of Safe failure
- λ_{DD} : Rate of Dangerous Detectable failure
- SFF: Safe Failure Fraction
- PFD_{avg} : Average Probability of Failure on Demand

Trim	λ_D	λ_S	λ_{DD}	SFF	PFD_{avg}
Diluvio elettrica ⁽⁴⁾ Deluge electric ⁽⁴⁾	$1,116 \cdot 10^{-06}$	$2,564 \cdot 10^{-05}$	$1,097 \cdot 10^{-06}$	>99,9%	$5,41 \cdot 10^{-04}$

Note:

(3) Alcuni accessori e opzioni proposti potrebbero non essere coperti da certificazione UL. Per maggiori informazioni verificare i dettagli dell'approvazione o contattare SA Fire Protection

(4) Alcuni accessori e opzioni proposti potrebbero non essere coperti da certificazione SIL. Per maggiori informazioni contattare SA Fire Protection.

Notes:

(3) Some of the proposed accessories and options may not be covered by the UL Listing. For more details refer to the Approval details or contact SA Fire Protection

(4) Some of the proposed accessories and options may not be covered by the SIL Certificate. For more details contact SA Fire Protection.

Opzioni

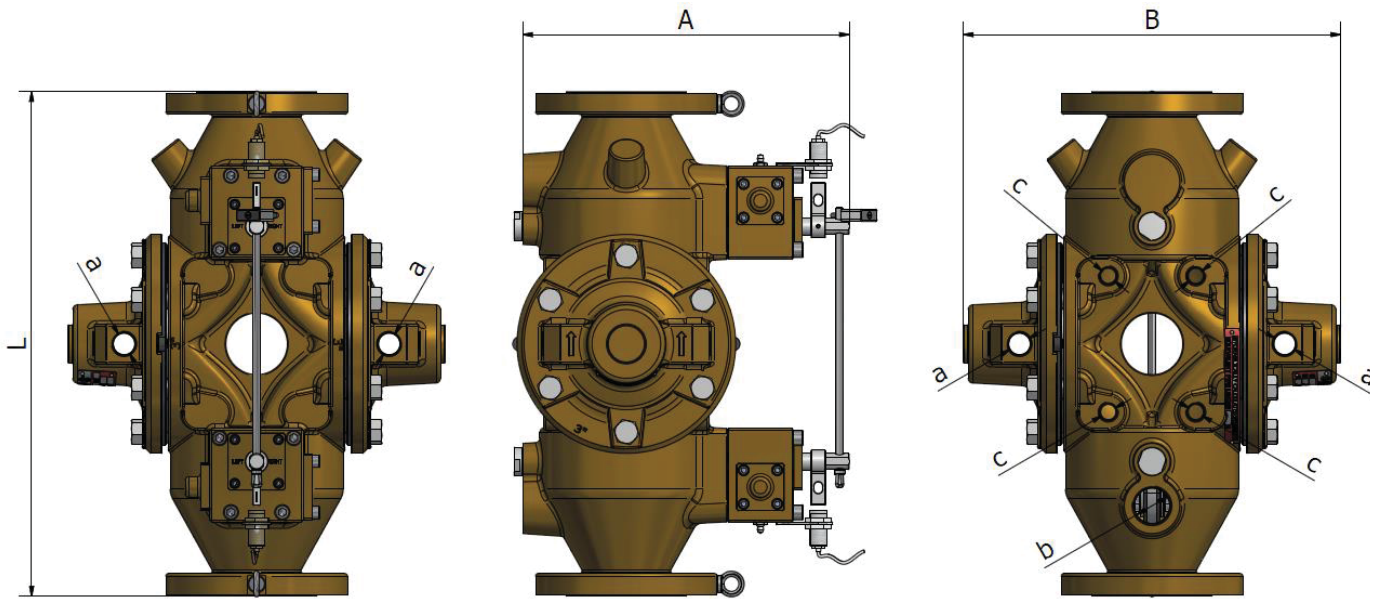
- Sensore di posizione per membrana
- Drenaggio principale aggiuntivo a valle
- Valvola di drenaggio automatico
- Sensori di prossimità per monitoraggio valvole isolamento interne
- Pressostato acqua linea allarme
- Trasmettitore di pressione acqua linea di allarme
- Campana idraulica
- Tubi flessibili di collegamento valvola-cabinato (lunghezza massima 10 m)
- Finitura diversa dallo Standard SA
- Per ulteriori opzioni o versioni speciali contattare SA Fire Protection

Optional

- Diaphragm position monitoring system
- Additional main drain valve downstream
- Automatic drain valve
- Proximity sensors for monitoring the built-in isolation valves
- Alarm line water pressure switch
- Alarm line water pressure transmitter
- Water motor gong
- Flexible tubing for connection valve-cabinet (maximum length 10 m)
- Finish different from Standard SA
- For additional options or special versions contact SA Fire Protection

Dimensioni e Pesi – Valvola a diluvio a doppia camera

Dimensions and Weights – Double chamber deluge valve



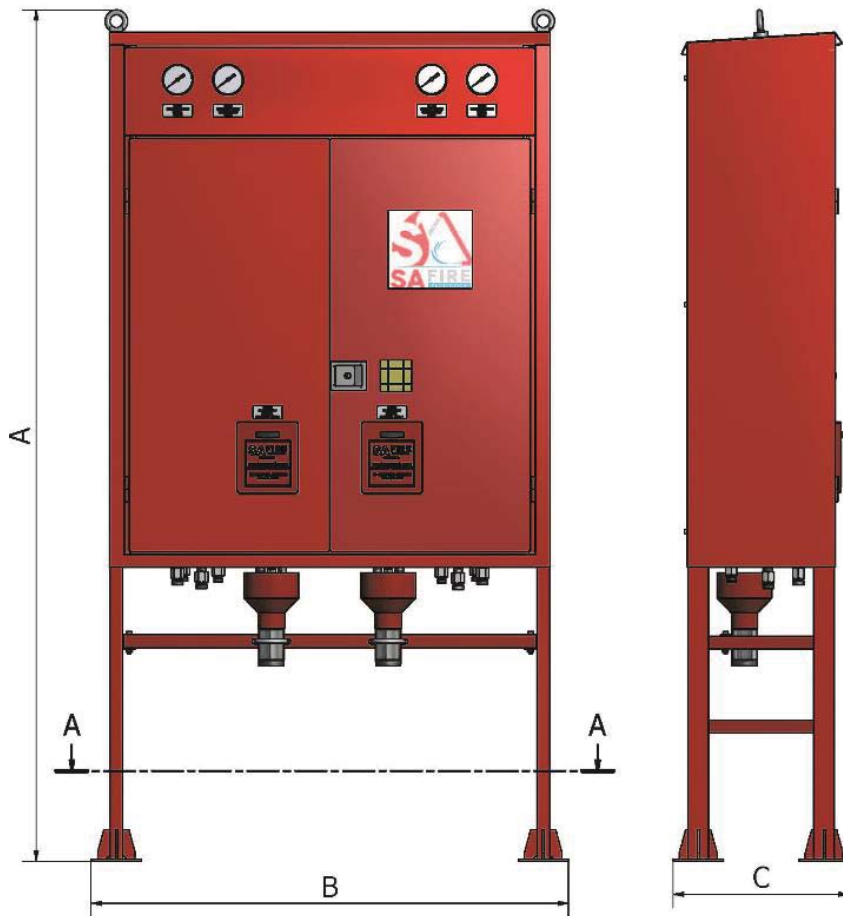
Ø Corpo Ø Body	Flangia Flange	L	A	B	a	b	c	Peso ⁽⁴⁾ Weight ⁽⁴⁾
		mm	mm	mm	Ø	Ø	Ø	kg
3" (DN 80)	ANSI 150 RF	529,6	343.5	396.8	3/4"	1 1/4"	1/2"	70
	ANSI 150 FF	526,4						
	ANSI 300 RF	539,2						
	ANSI 300 FF	536						
	UNI EN 1092-1 PN16	522						
	UNI EN 1092-1 PN25	530						
4" (DN 100)	ANSI 150 RF	569,6	369.5	432	3/4"	2"	1/2"	85
	ANSI 150 FF	566,4						
	ANSI 300 RF	585,4						
	ANSI 300 FF	582,2						
	UNI EN 1092-1 PN16	566						
	UNI EN 1092-1 PN25	574						
6" (DN 150)	ANSI 150 RF	744,8	452.5	631	3/4"	2"	1/2"	172
	ANSI 150 FF	741,6						
	ANSI 300 RF	767						
	ANSI 300 FF	763,8						
	UNI EN 1092-1 PN16	742						
	UNI EN 1092-1 PN25	754						
8" (DN 200)	ANSI 150 RF	959,2	522.5	788	3/4"	2"	1/2"	285
	ANSI 150 FF	956						
	ANSI 300 RF	984,2						
	ANSI 300 FF	981						
	UNI EN 1092-1 PN16	954						
	UNI EN 1092-1 PN25	966						

Note

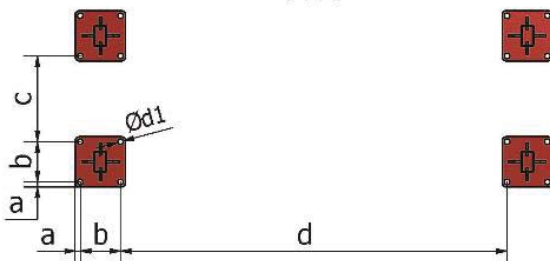
(5) Peso riferito alla valvola con flange ANSI 150 RF

Notes

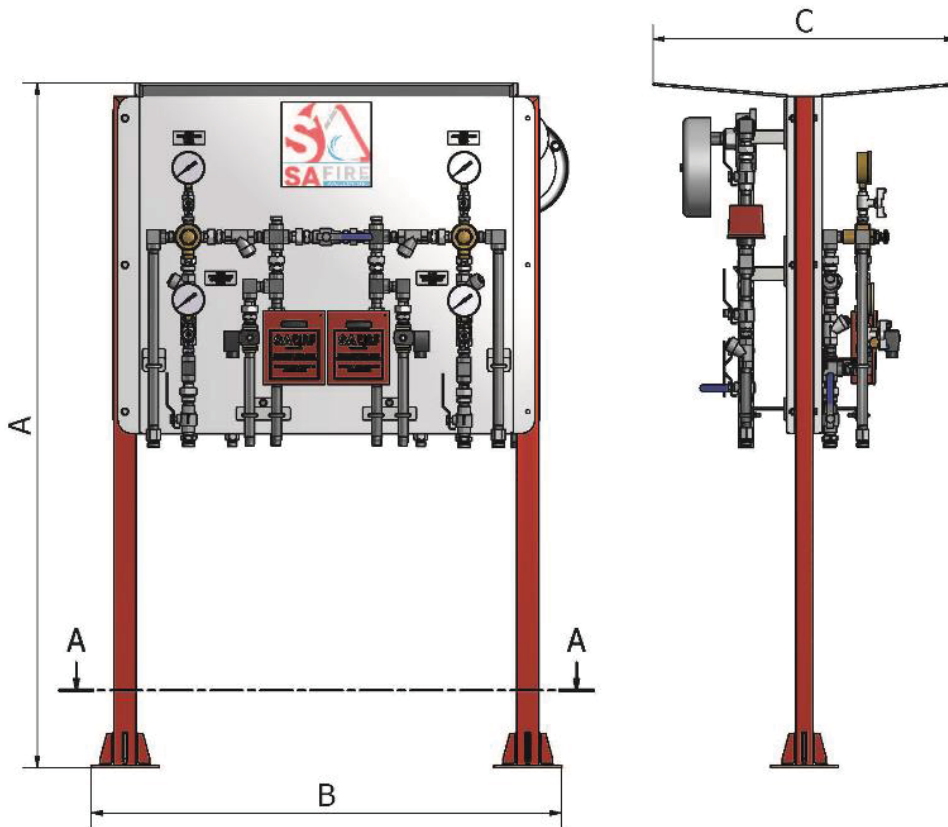
(5) Weight refers to the valve with flanges ANSI 150 RF



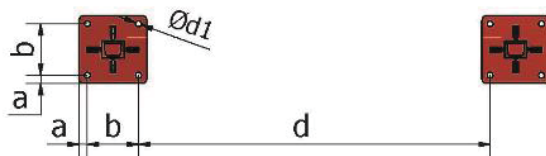
SEZIONE / SECTION
A-A



TRIM	A	B	C	a	b	c	d	Ø d1	Peso Weight
	mm	mm	mm	mm	mm	mm	mm	mm	kg
ARMADIO CABINET	2026	1137	420	12	96	204	920	13	170



SEZIONE / SECTION
A-A



TRIM	A	B	C	a	b	c	d	Ø d1	Peso Weight
	mm	mm	mm	mm	mm	mm	mm	mm	kg
PANNELLO PANEL	1515	1045	672	18	114	-	780	13	85

Note

(6) Outline e dimensioni proposte si riferiscono alla versione UL con cabinato in acciaio al carbonio zincato. La configurazione del trim di controllo può variare in base agli accessori e alle opzioni selezionate.

Notes

(6) Outline and dimensions refer to the UL version with galvanized carbon steel cabinet. The trim configuration may vary according to the accessories and the options selected.

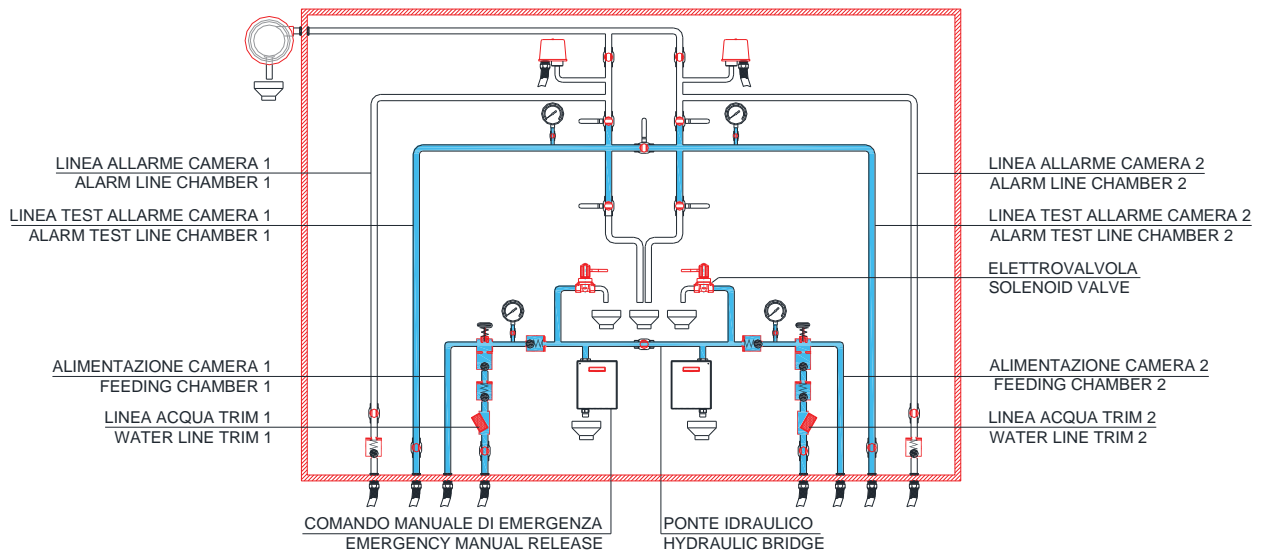
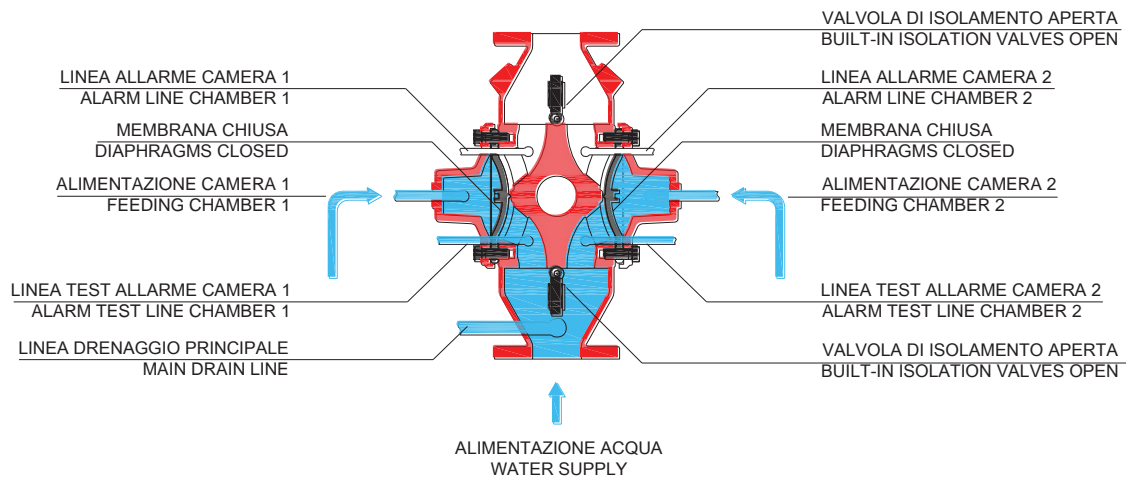
Principio di funzionamento


In normale esercizio (valvola chiusa) le due camere di controllo sono mantenute in pressione dalla linea principale attraverso il proprio trim. Tale pressione fa aderire le membrane alle apposite sedi di contatto ricavate nel corpo valvola, garantendo la tenuta necessaria per mantenere la valvola chiusa. Ciascun trim di controllo è mantenuto chiuso dalla elettrovalvola e dal comando manuale di emergenza.

Principle of operation

In normal operating conditions (valve closed) the water is supplied to the priming chambers through the trims. The pressure of the water trapped in the priming chambers holds the diaphragms on the valve seats, keeping the valve closed. Each trim is held closed by the solenoid valve and the emergency manual release.

VALVOLA CHIUSA VALVE CLOSED



 ACQUA IN PRESSIONE
WATER PRESSURE

Principio di funzionamento

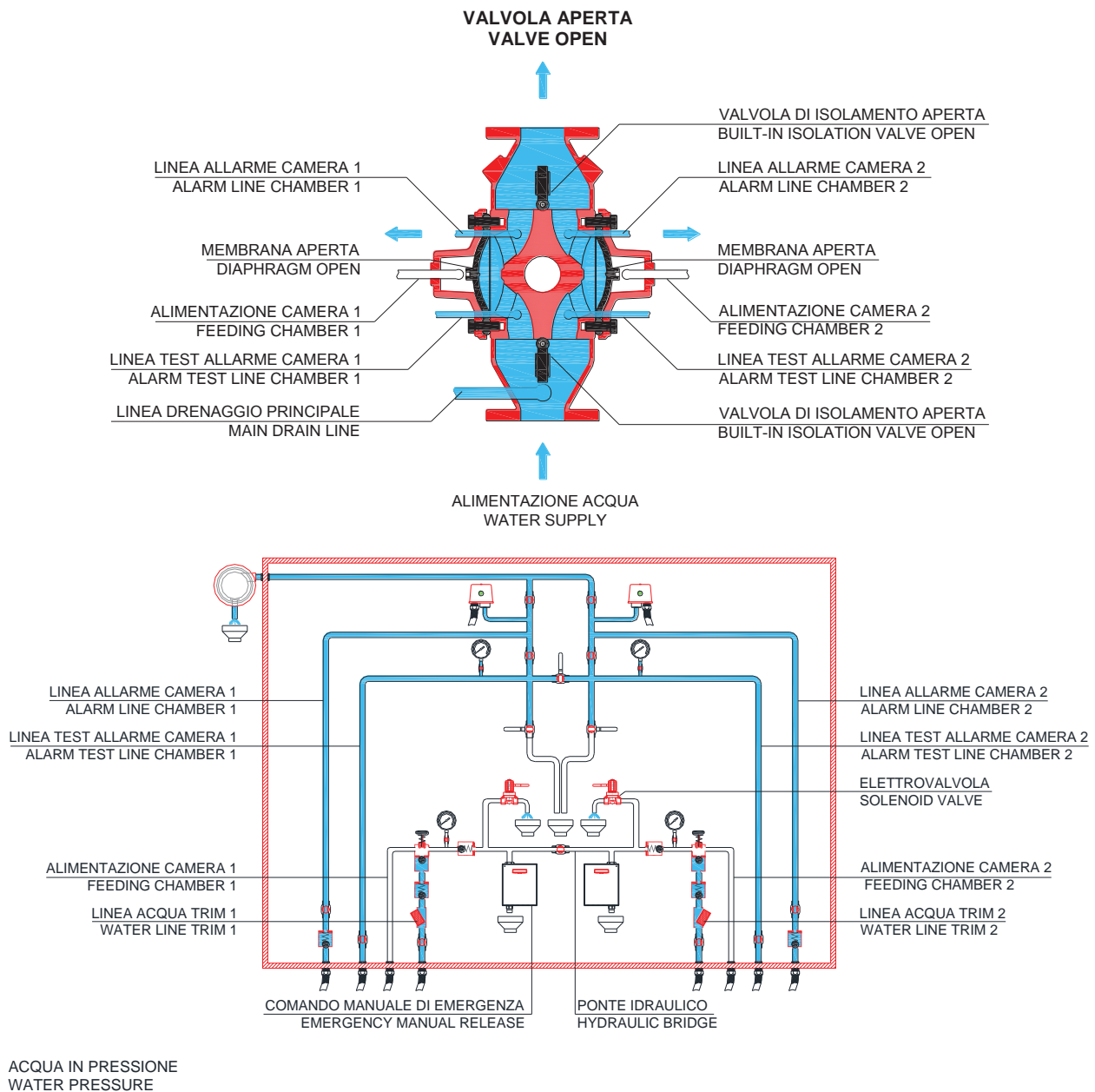
In caso di incendio (valvola aperta) l'apertura delle due elettrovalvole tramite comando remoto determinano il deflusso dell'acqua contenuta nelle due camere di controllo. La pressione della linea principale risulta quindi in grado di separare le membrane dalle sedi di contatto sul corpo valvola, aprendo completamente la valvola e consentendo il flusso dell'acqua verso l'impianto di spegnimento e gli eventuali dispositivi di allarme. La valvola a diluvio può essere in alternativa aperta localmente tramite i comandi manuali di emergenza.

In ciascun trim il riarmo manuale blocca l'afflusso di acqua alla relativa camera di controllo, mantenendo la valvola a diluvio aperta.

Principle of operation

In fire conditions (valve open) the opening of the two solenoid valves via remote signals releases the pressure from the two control chambers. The water supply pressure in the inlet chamber forces the diaphragms off from seat, allowing water to flow into the system and the alarm devices. Alternatively, the deluge valve can be opened locally through the emergency manual releases.

In each trim the manual reset prevents water from entering the control chamber, keeping the deluge valve in open position.



Principio di funzionamento

In manutenzione (una camera isolata) le camere di controllo possono essere isolate e ispezionate alternativamente ruotando le valvole di isolamento interne, mantenendo il sistema in servizio attraverso l'altra camera.

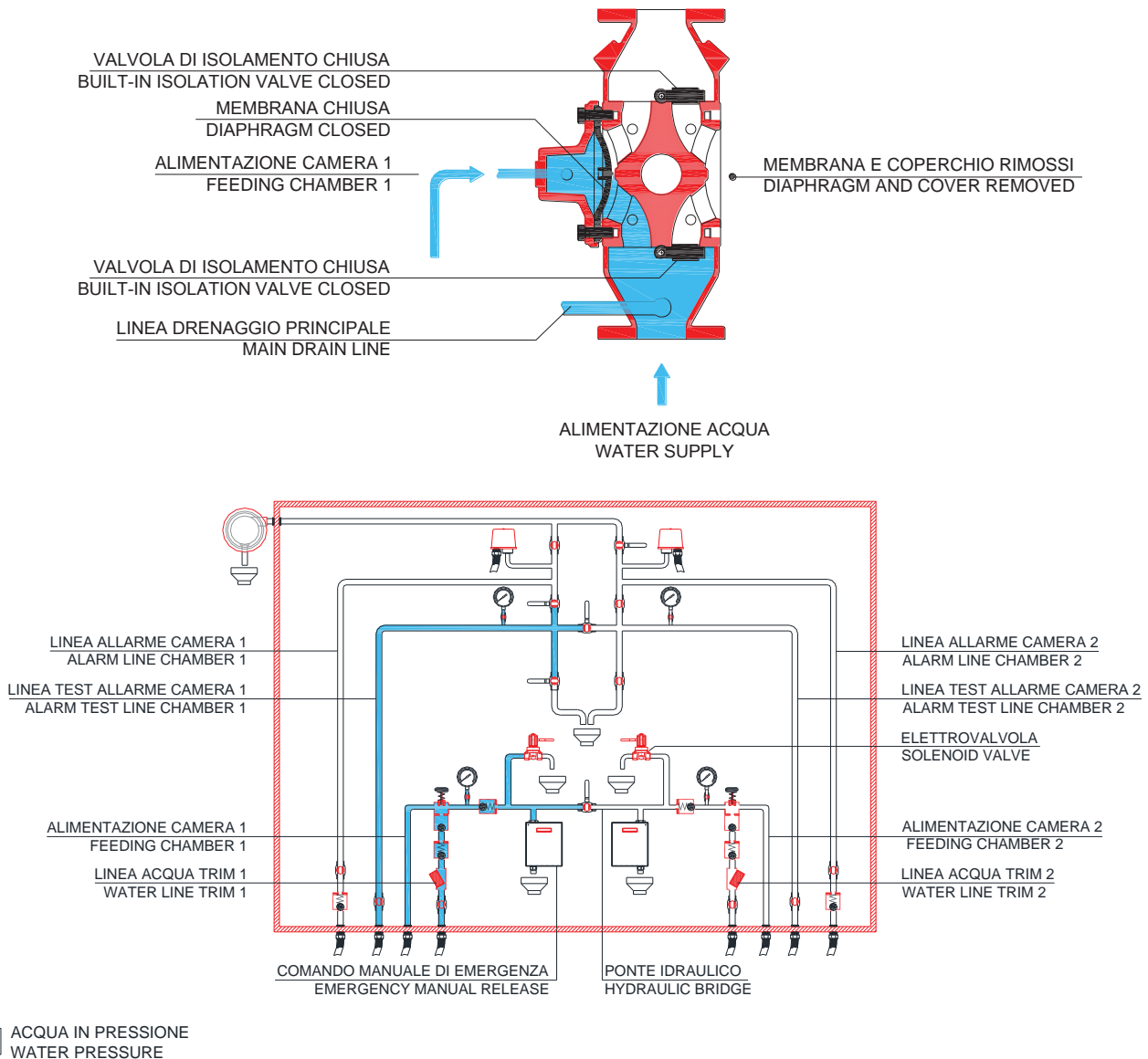
La chiusura del ponte idraulico consente di isolare il trim di controllo della camera in manutenzione ed effettuare le relative procedure di manutenzione, mantenendo il sistema antincendio in servizio attraverso l'altra camera e l'altro trim.

Principle of operation

During maintenance (one chamber isolated) the two priming chambers can be alternatively isolated and inspected turning the in-built isolation valves, keeping the fire protection system in service through the other chamber.

The control trim of the chamber under maintenance can be isolated closing the hydraulic bridge, allowing the maintenance procedures to be performed keeping the fire protection system in service through the other chamber and the other trim.

CAMERA 2 IN MANUTENZIONE E CAMERA 1 IN SERVIZIO CHAMBER 2 IN MAINTENANCE AND CHAMBER 1 IN SERVICE



TRIM	7	Accessori (riarmo manuale, valvola di sfiato manuale) Accessories (manual reset, manual vent valve)	Corpo Nichel Alluminio Bronzo, parti interne Acciaio inox Body Nickel Aluminum Bronze, internal parts Stainless steel	ABA <input type="checkbox"/>	
			Corpo Acciaio inox, parti interne Nichel Alluminio Bronzo Body Stainless steel, internal parts Nickel Aluminum Bronze	AAI <input type="checkbox"/>	
			Corpo Nichel Alluminio Bronzo, parti interne Monel Body Nickel Aluminum Bronze, internal parts Monel	AMO <input type="checkbox"/>	
	8	Manometro Pressure gauge	PGW101 – Acciaio inox, scala 0 – 300 psi PGW101 – Stainless steel, span 0 – 300 spi	PGW101 <input type="checkbox"/>	
			PG111 – Ottone, scala 0 – 600 psi. PG111 – Brass, span 0 – 600 psi	PG111 <input type="checkbox"/>	
			PG232 – Acciaio inox, scala 0 – 25 bar PG232 – Stainless steel, span 0 – 25 bar	PG23225 <input type="checkbox"/>	
			PG262 – Acciaio inox/Monel, scala 0 – 25 bar PG262 – Stainless steel/Monel, span 0 – 25 bar	PG26225 <input type="checkbox"/>	
PG232 – Acciaio inox, scala 0 – 40 bar PG232 – Stainless steel, span 0 – 40 bar			PG23240 <input type="checkbox"/>		
PG262 – Acciaio inox/Monel, scala 0 – 40 bar PG262 – Stainless steel/Monel, span 0 – 40 bar			PG26240 <input type="checkbox"/>		
ELETTROVALVOLA SOLENOID VALVE	9	Modello Modello	SV5404 – Ottone, 2/2 vie servo-attuata SV5404 – Brass, 2/2 way with servo-piston	SV5404 <input type="checkbox"/>	
			SV238 – Acciaio inox, 2/2 vie servo-attuata SV238 – Stainless steel, , 2/2 way with servo-piston	SV238 <input type="checkbox"/>	
			SVICO4 – Acciaio inox, 3/2 vie azionamento diretto SVICO4 – Stainless steel, 3/2 way direct acting	SVICO4AI <input type="checkbox"/>	
			SVICO4 – Nichel Alluminio Bronzo, 3/2 vie azionamento diretto SVICO4 – Nickel Aluminum Bronze, 3/2 way direct acting	SVICO4BA <input type="checkbox"/>	
	10	Alimentazione Voltage	24 Vcc 24 Vdc	24DC <input type="checkbox"/>	
			110 Vcc 110 Vdc	110DC <input type="checkbox"/>	
			110 Vca 110 Vac	110AC <input type="checkbox"/>	
			Altro Other	V <input type="checkbox"/>	Specificare in Note l'alimentazione richiesta Specify in Notes the voltage requested
	11	Funzionamento Operation	Normalmente chiusa Normally closed	NC <input type="checkbox"/>	
			Normalmente aperta Normally open	NO <input type="checkbox"/>	
	12	Riarmo manual Manual reset	Leva di blocco automatica Automatic latching lever	ALL <input type="checkbox"/>	Specificare solo se richiesto. Disponibile solo per Mod. SVICO4. Tale dispositivo sostituisce il riarmo manuale del trim. Specify only if requested. Available only for Mod. SVICO4. This device replace the manual reset on the trim.
	13	Area di installazione Area of installation	Area sicura Safe area	S <input type="checkbox"/>	Non disponibile per Mod. SVICO4 Not available for Mod. SVICO4
			ATEX – Zona 1 e 2 ATEX – Zone 1 e 2	A1 <input type="checkbox"/>	

Prosegue alla pagina seguente / Continue to the next page

OPZIONI OPTIONS	14	Limit switch	Sensore di posizione IP per membrana Diaphragm Position Monitoring System IP	DPMS <input type="checkbox"/>	
			Sensore di posizione ATEX per membrana Diaphragm Position Monitoring System ATEX	DPMSA <input type="checkbox"/>	
	15	Drenaggio principale aggiuntivo Additional main drain	Seconda valvola di drenaggio principale a valle Second main drain valve downstream	2MD <input type="checkbox"/>	
	16	Sensori di prossimità Proximity sensors	Sensori di prossimità per monitorare posizione valvole di isolamento interne Proximity sensors for monitoring the position of the in-built isolation valves	SP <input type="checkbox"/>	
			Sensori di prossimità ATEX per monitorare posizione valvole di isolamento interne Proximity sensors ATEX for monitoring the position of the in-built isolation valves	SPA <input type="checkbox"/>	
	17	Drenaggio automatico Automatic drain	Corpo Nichel Alluminio Bronzo, parti interne Acciaio inox Body Nickel Aluminum Bronze, internal parts Stainless steel	DABA <input type="checkbox"/>	
			Corpo Acciaio inox, parti interne Nichel Alluminio Bronzo Body Stainless steel, internal parts Nickel Aluminum Bronze	DAAI <input type="checkbox"/>	
			Corpo Nichel Alluminio Bronzo, parti interne Monel Body Nickel Aluminum Bronze, internal parts Monel	DAMO <input type="checkbox"/>	
	18	Pressostato acqua di allarme Alarm water pressure switch	Zona sicura Safe Area	PS10 <input type="checkbox"/>	
			ATEX – Zona 1 e 2 – Acciaio inox ATEX – Zone 1 e 2 – Stainless steel	PS9681H <input type="checkbox"/>	
			ATEX – Zona 1 e 2 – Acciaio inox/Monel ATEX – Zone 1 e 2 – Stainless steel/Monel	PSUE12H <input type="checkbox"/>	
	19	Trasmettitore di pressione acqua di allarme Alarm water pressure transmitter	ATEX – Zona 1 e 2 – Acciaio inox ATEX – Zone 1 e 2 – Stainless steel	PT3051HAI <input type="checkbox"/>	
			ATEX – Zona 1 e 2 – Monel ATEX – Zone 1 e 2 – Monel	PT3051HMO <input type="checkbox"/>	
20	Campana idraulica Water gong	Campana idraulica di allarme Water motor alarm gong	WG <input type="checkbox"/>		
21	Set tubi flessibili Flexible tubing set	Tubi e raccordi in acciaio inox, lunghezza 5 m Tubing and fittings in stainless steel, length 5 m	TUFAI <input type="checkbox"/>		
		Tubi in poliammide rinforzato, raccordi in bronzo, lunghezza 5 m Tubing in reinforced polyamide, fittings in bronzes, length 5 m	TUFGO <input type="checkbox"/>		
22	Lunghezza tubi flessibili Length flexible tubing	Inserire lunghezza desiderata in metri Insert the required length in meter	(____) <input type="checkbox"/>	<p>Compilare solo se selezionato set tubi flessibili e lunghezza diversa da 5 m. Lunghezza massima 10 m. To be filled only if flexible tubing set is selected and length is different from 5 m. Maximum length 10 m.</p>	
23	Verniciatura Painting	Finitura diversa da standard SA Finishing different from SA standard	C <input type="checkbox"/>	<p>Specificare in Note il ciclo di verniciatura richiesta per valvola e/o cabinato. Specify in Notes the painting procedure required.</p>	

Prosegue alla pagina seguente / Continue to the next page

NOTE
NOTES

CLIENTE / CLIENT:	PROGETTO / PROJECT:	DOC. No.:	REV.:
EMESSO / ISSUED:	CONTROLLATO / CHECKED:	APPROVATO / APPROVED:	
DATA / DATE:	DATA / DATE:	DATA / DATE:	

VALVOLA A DILUVIO A DOPPIA CAMERA ELETTRO-PNEUMATICA MOD. VDD/D/EP DOUBLE CHAMBER DELUGE VALVE ELECTRO-PNEUMATIC MOD. VDD/D/EP



Descrizione



La valvola Mod. VDD/D/EP è una valvola a diluio a doppia camera ad azionamento elettro-pneumatico disponibile nelle dimensioni da 3" (DN 80) a 8" (DN 200). Le due camere di controllo, ciascuna dotata di una propria membrana ed un trim di controllo dedicato, garantiscono una completa ridondanza del sistema con notevole incremento dei requisiti di sicurezza funzionale del dispositivo. Il trim di controllo completamente ridonato è assemblato su pannello o all'interno di un cabinato, che può essere collegato alle relative connessioni della valvola a diluio a doppia camera per mezzo di tubazioni flessibili o rigide.

Le valvole a diluio Mod. VDD/D/EP sono utilizzate per il controllo del flusso di acqua o acqua/schiuma in impianti water spray o schiuma con sistema di rivelazione di tipo elettrico. Il trim di controllo è inoltre predisposto per il collegamento di una eventuale linea di rivelazione pneumatica per l'attivazione pneumatica della valvola a diluio. Quando dotate dei relativi accessori (pressostati, campana idraulica) sono in grado di azionare gli allarmi all'attivazione del sistema. In condizione di normale esercizio la valvola a diluio elettro-pneumatica VDD/D/EP è mantenuta chiusa dalla pressione dell'acqua nelle due camere di controllo. In caso di incendio l'apertura delle elettrovalvole installate sui due trim di controllo determina il deflusso dell'acqua dalle due camere di controllo e l'apertura della valvola sotto l'effetto della pressione della linea di alimentazione. L'apertura della valvola può essere operata inoltre manualmente utilizzando i relativi dispositivi di apertura manuale di emergenza sui trim di controllo. Ciascun trim è inoltre predisposto per la connessione di un eventuale comando manuale remoto sulla linea acqua e per la connessione di un eventuale comando aria remoto.

La valvola a diluio elettro-pneumatica è consigliata per le applicazioni in cui è preferibile mantenere l'elettrovalvola sulla linea aria, come ad esempio quelle con acqua di mare o schiumogeno. La valvola a diluio a doppia camera elettro-pneumatica Mod. VDD/D/EP è disponibile in configurazione verticale o orizzontale. La valvola può essere riarmata dall'esterno senza necessità di essere aperta. I coperchi di ispezione consentono la manutenzione della valvola e la

Description



The valve Mod. VDD/D/EP is a double chamber deluge valve with electro-pneumatic actuation available in diameter sizes from 3" (DN 80) to 8" (DN 200). The two priming chambers, each one provided with its own diaphragm and control trim, provide fully redundancy improving the safety availability of the system. The fully redundant control trim can be assembled on a panel or inside a closed cabinet, which can be connected to the relevant ports of the double chamber deluge valve through flexible or rigid tubing.

The deluge valves Mod. VDD/D/EP are used to control water or foam/water flow in water spray or foam fire protection systems monitored by electric fire detection system. The control trim is also provided with a connection for an optional pneumatic heat detection line, for the pneumatic activation of the deluge valve. When equipped with the relevant accessories (pressure switch, water motor gong), they can provide actuation of fire alarms upon system operation.

In normal operating conditions the deluge valve electro-pneumatic VDD/D/EP is held closed by the water pressure in the two control chambers. In fire conditions water is released from the control chambers through the opening of the two solenoid valves installed in the two control trims, and the valve latches open under the effect of the water supply pressure. The valve can be manually open through the emergency manual releases on the control trims. Each trim is also provided with a connection for an optional remote emergency manual release line and another connection for an optional remote air control line.

The deluge valve electro-pneumatic is recommended for those applications where it is preferable to keep the solenoid valve dry, such as those with sea water or foam concentrate. The double chamber deluge valve electro-pneumatic Mod. VDD/D/EP is available in vertical or horizontal configuration. It is designed for external resetting, without opening the valve. The cover plate allows in-line maintenance and field replace of the diaphragm to be performed. The maintenance activities can be performed alternatively on one of the two control chambers and relevant control trim, keeping the fire protection system in service through the other chamber and the other trim. The materials of construction make it

Descrizione



sostituzione delle membrane mantenendo la valvola montata sulla linea principale. La manutenzione può essere effettuata alternativamente su una delle due camere e sul relativo trim di controllo, mantenendo il sistema a diluvio in servizio attraverso l'altra camera e l'altro trim. I materiali di costruzione rendono la valvola a diluvio idonea per l'impiego con acqua di mare o soluzioni schiumogene all'interno di ambienti industriali ad alta aggressività o in applicazioni offshore.

Description



suitable for being used with sea water or water foam solution within industrial harsh environments & offshore applications.

Caratteristiche principali della valvola a doppia camera Mod. VDD

Linea di bypass integrata

La valvola a diluvio brevettata modello VDD contiene al suo interno due camere di controllo distinte, ciascuna dotata di una propria membrana ed una linea di trim dedicata. Il sistema risulta così completamente ridondato, essendo i due trim controllati da due segnali di comando distinti.

Ciascuna camera di controllo garantisce un flusso di acqua analogo a quello di una valvola a diluvio classica di pari dimensione. In caso di mancata apertura di una camera di controllo, l'apertura dell'altra camera consente il passaggio di tutta la portata di acqua necessaria per il corretto funzionamento del sistema di spegnimento.

Sistema in grado di sopperire ad una doppia avaria

Un ponte idraulico fra le due linee di trim consente a ciascun trim di far defluire l'acqua contenuta in entrambe le camere di controllo della valvola. In caso di fallimento di uno dei due trim, l'apertura dell'altro trim ed il ponte idraulico fra i due consentono l'apertura di entrambe le camere di controllo.

La valvola a doppia camera risulta così in grado di sopperire ad una doppia avaria trim + camera di controllo.

Sistema di spegnimento sempre in servizio

La valvola a diluvio a doppia camera consente di effettuare la manutenzione ordinaria e straordinaria della valvola mantenendo sempre in funzione il sistema di spegnimento.

La valvola a diluvio a doppia camera è dotata infatti di due valvole di isolamento, una in ingresso e l'altra in uscita dalla valvola. In condizioni di normale funzionamento le due valvole sono posizionate longitudinalmente rispetto all'asse della valvola. In caso di manutenzione le due valvole possono essere ruotate di 90°, isolando la camera di controllo soggetta a manutenzione e mantenendo in funzione il sistema di spegnimento attraverso l'altra camera.

Un sistema di visualizzazione esterno e dei sensori di prossimità consentono di monitorare la posizione delle due valvole di isolamento interne, mentre un sistema di bloccaggio ne impedisce la rotazione accidentale o errata.

Main characteristics of the double chamber deluge valve Mod. VDD

Built-in bypass line

The patented deluge valve Model VDD has two priming chambers, each one provided with its own diaphragm and trim. The system is fully redundant, with the trims controlled by two independent automatic release systems.

Each priming chamber is designed to provide a waterway equal to the waterway provided by a classic deluge valve of the same diameter size. In case of failure of one diaphragm, the opening of the other diaphragm provides the nominal design waterway for the correct operation of the fire suppression system.

Designed to overcome a double failure

A hydraulic bridge between the trims allows each trim to control both the diaphragms, releasing the water trapped in the two priming chambers. In case of failure of one trim, the other trim can open both the priming chambers through a hydraulic bridge. Thus the double chamber deluge valve can overcome a double failure trim + priming chamber.

Fire suppression system always in service

The double chamber deluge valve allows in-line maintenance to be performed, keeping the fire suppression system in service. In fact, the double chamber deluge valve has two built-in isolation valves located upstream and downstream of the diaphragms respectively.

During normal operation the isolation valves are in neutral position. During maintenance the isolation valves can be alternatively turned right or left to isolate the priming chamber which is to be maintained. Meanwhile, the other priming chamber remains on duty keeping the fire suppression system in service.

An external indicator and proximity sensors allow the position of the two valves to be monitored, and a locking system prevents their accidental or incorrect rotation.

Caratteristiche tecniche

Valvola:

- Materiali corpo a scelta tra:
 - Nichel Alluminio Bronzo ASTM B148 C95800
 - Bronzo EN 1982 – CC491K
- Materiale membrana: EPDM rinforzato
- Vite di serraggio coperchio: Acciaio inox AISI 316
- Flange disponibili ANSI B16.24 o UNI EN 1092-1
- Pressione di progetto ⁽¹⁾: 26 bar
- Pressione di test: 41,4 bar
- Temperatura dell'acqua: da 0,5°C a 90°C
- Minima pressione di esercizio: 1,38 bar (20 psi)
- Valvola di drenaggio principale a monte
- Predisposizione attacco linea di comando manuale remoto ⁽²⁾
- Predisposizione attacco linea di comando remoto aria ⁽²⁾
- Predisposizione attacco linea di rivelazione pneumatica ⁽³⁾

Finitura:

- Al naturale

Trim di controllo:

- Materiale pannello o cabinato a scelta tra:
 - Acciaio al carbonio zincato
 - Acciaio inox AISI 316
- Tubi / raccordi / valvole / drenaggio principale linea acqua:
 - Acciaio inox AISI 316/316L
 - Monel/Bronzo/Nichel Alluminio Bronzo
- Tubi, raccordi e valvole linea aria: Acciaio inox AISI 316/316L
- Accessori (riarmo manuale, valvola di sfiato manuale, attuatore pneumatico Normalmente Aperto NO):
 - Corpo Nichel Alluminio Bronzo, parti interne Acciaio inox
 - Corpo Acciaio inox, parti interne Nichel Alluminio Bronzo
 - Corpo Nichel Alluminio Bronzo, parti interne Monel

Technical characteristics

Valve:

- Body materials to be selected among:
 - Nickel Aluminum Bronze ASTM B148 C95800
 - Bronze EN 1982 – CC491K
- Diaphragm material: EPDM fabric reinforced
- Nuts and bolts material: Stainless steel AISI 316
- Flanges ANSI B16.24 or UNI EN 1092-1
- Design pressure ⁽¹⁾: 26 bar
- Test pressure: 41,4 bar
- Water temperature: from 0,5 °C to 90°C
- Minimum working pressure: 1.38 bar (20 psi)
- Main drain valve upstream
- Connection for remote emergency manual release line ⁽²⁾
- Connection for remote air control line ⁽²⁾
- Connection for pneumatic heat detection line ⁽³⁾

Finish:

- Natural

Control trim:

- Panel or cabinet material to be selected among:
 - Galvanized carbon steel
 - Stainless steel AISI 316
- Tubing / fittings / valves / main drain valve for water line:
 - Stainless steel AISI 316/316L
 - Monel/Bronze/Nickel Aluminum Bronze
- Tubing, fittings and valves for air line: Stainless steel AISI 316/316L
- Accessories (manual reset, manual vent valve, pneumatic actuator Normally Open NO):
 - Body Nickel Aluminum Bronze, internal parts Stainless steel
 - Body Stainless steel, internal parts Nickel Aluminum Bronze
 - Body Nickel Aluminum Bronze, internal parts Monel

Prosegue alla pagina seguente / Continue to the next page

Note:

- (1) La massima pressione di esercizio può essere limitata dalla flangiatura e dalla elettrovalvola selezionata
- (2) Per il comando manuale di emergenza vedi DS N.30.20.40.60.
- (3) Per i tappi fusibili per la linea di rivelazione pneumatica vedi DS N.30.20.50.70.

Notes:

- (1) The maximum working pressure could be limited by the selected flange type and solenoid valve
- (2) For emergency manual release see DS N.30.20.40.60.
- (3) For fusible plugs for pneumatic heat detection line see DS N.30.20.50.70.

Caratteristiche tecniche

Trim di controllo:

- Manometri acqua:
 - PGW101 – Acciaio inox, 0 – 300 psi / 0 – 2050 kPa, 4" x 1/4"
 - PG111 – Ottone, 0 – 600 psi, 2 1/2" x 1/4"
 - PG232 – Acciaio inox, 0 – 25 bar, 100 mm x 1/4"
 - PG262 – Acciaio inox/Monel, 0 – 25 bar, 100 mm x 1/4"
 - PG232 – Acciaio inox, 0 – 40 bar, 100 mm x 1/4"
 - PG262 – Acciaio inox/Monel, 0 – 40 bar, 100 mm x 1/4"
- Manometro aria:
 - PGW102 – Acciaio inox, 0 – 80 – 250 psi / 0 – 550 - 1750 kPa, 4" x 1/4"

Ciclo verniciatura standard SA per cabinet:

- Pulizia manuale con solvente
- Primer epossidico 60 µm
- Intermedio epossidico 30 µm
- Finitura poliuretano 30 µm
- Spessore totale film secco 120 µm +/-10%
- Colore rosso RAL 3000

Elettrovalvola:

- Modelli disponibili:
 - SV5404 – Ottone, 2/2 vie servo-attuata
 - SV238 – Acciaio inox, 2/2 vie servo-attuata
 - SVICO4 – Acciaio inox, 3/2 vie azionamento diretto
 - SVICO4 – Nichel Alluminio Bronzo, 3/2 vie azionamento diretto
- Alimentazione:
 - 24 Vcc
 - 110 Vcc
 - 110 Vca
- Funzionamento:
 - Normalmente Chiusa NC
 - Normalmente Aperta NO
- Area di installazione:
 - Zona sicura
 - ATEX Zona 1 e 2

Certificazioni

- Certificato di validazione SIL 3 emesso da Bureau Veritas
- In attesa di certificazione UL ⁽⁴⁾: pressione di esercizio da 1,38 bar (20 psi) a 20,7 bar (300 psi), dimensioni da 3" a 8"

Note:

(4) Alcuni accessori e opzioni proposti potrebbero non essere coperti da certificazione UL. Per maggiori informazioni verificare i dettagli dell'approvazione o contattare SA Fire Protection

Technical characteristics

Control trim:

- Water pressure gauges:
 - PGW101 - Stainless steel, 0 - 300 psi / 0 - 2050 kPa, 4" x 1/4"
 - PG111 – Brass, 0 – 600 psi, 2 1/2" x 1/4"
 - PG232 – Stainless steel, 0 – 25 bar, 100 mm x 1/4"
 - PG262 – Stainless steel/Monel, 0 – 25 bar, 100 mm x 1/4"
 - PG232 – Stainless steel, 0 – 40 bar, 100 mm x 1/4"
 - PG262 – Stainless steel/Monel, 0 – 40 bar, 100 mm x 1/4"
- Air pressure gauge:
 - PGW102 – Stainless steel, 0 – 80 – 250 psi / 0 – 550 - 1750 kPa, 4" x 1/4"

Painting system standard SA for cabinet:

- Manual cleaning solvent
- Epoxy primer 60 µm
- Epoxy Intermediate 30 µm
- Polyurethane finish 30 µm
- Total thickness 120 µm dry film +/-10%
- Colour red RAL 3000

Solenoid valve:

- Models available:
 - SV5404 – Brass, 2/2 way with servo-piston
 - SV238 – Stainless steel, 2/2 way with servo-piston
 - SVICO4 – Stainless steel, 3/2 way direct acting
 - SVICO4 – Nickel Aluminum Bronze, 3/2 way direct acting
- Voltage:
 - 24 Vdc
 - 110 Vdc
 - 110 Vac
- Operation:
 - Normally Closed NC
 - Normally Open NO
- Installation area:
 - Safe Area
 - ATEX Zone 1 and 2

Certifications

- Validation certificate for SIL 3 systems issued by Bureau Veritas
- Under application for the UL Listing ⁽⁴⁾ program: working pressure from 20 psi (1,38 bar) to 300 psi (20,7 bar), sizes from 3" to 8"

Notes:

(4) Some of the proposed accessories and options may not be covered by the UL Listing. For more details refer to the Approval details or contact SA Fire Protection

Parametri sicurezza funzionale

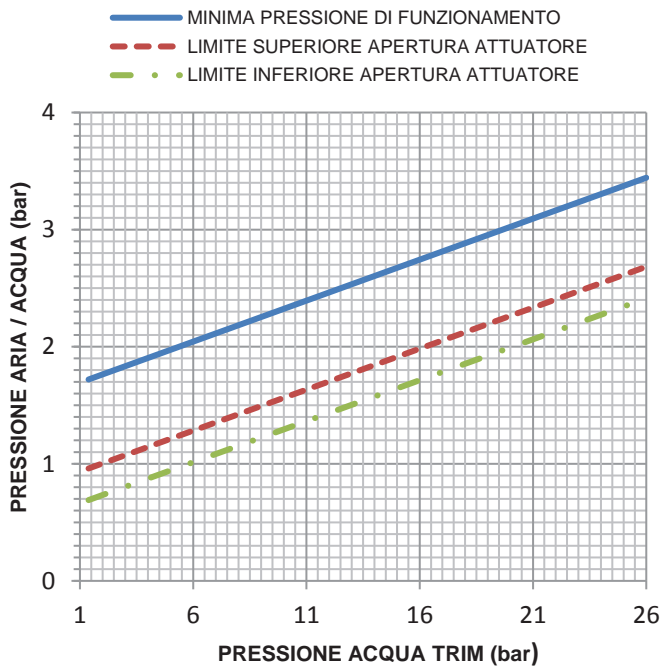
- λ_D : Rateo di guasto Dangerous
- λ_S : Rateo di guasto Safe
- λ_{DD} : Rateo di guasto Dangerous Detectable
- SFF: Safe Failure Fraction
- PFD_{avg} : Probabilità media di guasto su richiesta

Functional safety parameters

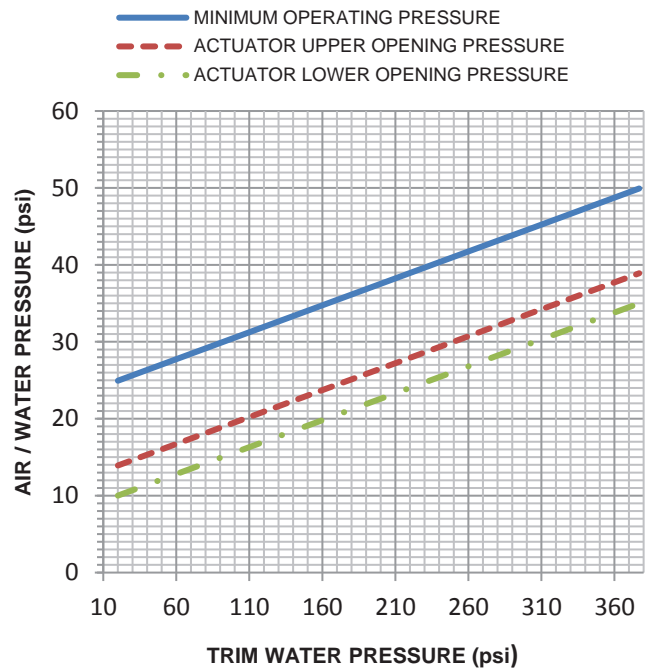
- λ_D : Rate of Dangerous failure
- λ_S : Rate of Safe failure
- λ_{DD} : Rate of Dangerous Detectable failure
- SFF: Safe Failure Fraction
- PFD_{avg} : Average Probability of Failure on Demand

Trim	λ_D	λ_S	λ_{DD}	SFF	PFD_{avg}
Diluvio elettro-pneumatica ⁽⁵⁾ Deluge electro-pneumatic ⁽⁵⁾	$1,127 \cdot 10^{-06}$	$2,599 \cdot 10^{-05}$	$1,104 \cdot 10^{-06}$	>99,9%	$5,60 \cdot 10^{-04}$

Dati operativi



Operational data



Opzioni

- Sensore di posizione per membrana
- Drenaggio principale aggiuntivo a valle
- Valvola di drenaggio automatico
- Sensori di prossimità per monitoraggio valvole isolamento interne
- Pressostato acqua linea di allarme
- Trasmettitore di pressione acqua linea di allarme
- Pressostato aria bassa pressione
- Trasmettitore di pressione aria
- Campana idraulica
- Tubi flessibili di collegamento valvola-cabinato (lunghezza massima 10 m)
- Finitura diversa dallo Standard SA
- Per ulteriori opzioni o versioni speciali contattare SA Fire Protection

Optional

- Diaphragm position monitoring system
- Additional main drain valve downstream
- Automatic drain valve
- Proximity sensors for monitoring the built-in isolation valves
- Alarm line water pressure switch
- Alarm line water pressure transmitter
- Air line low pressure switch
- Air line low pressure transmitter
- Water motor gong
- Flexible tubing for connection valve-cabinet (maximum length 10 m)
- Finish different from Standard SA
- For additional options or special versions contact SA Fire Protection

Note:

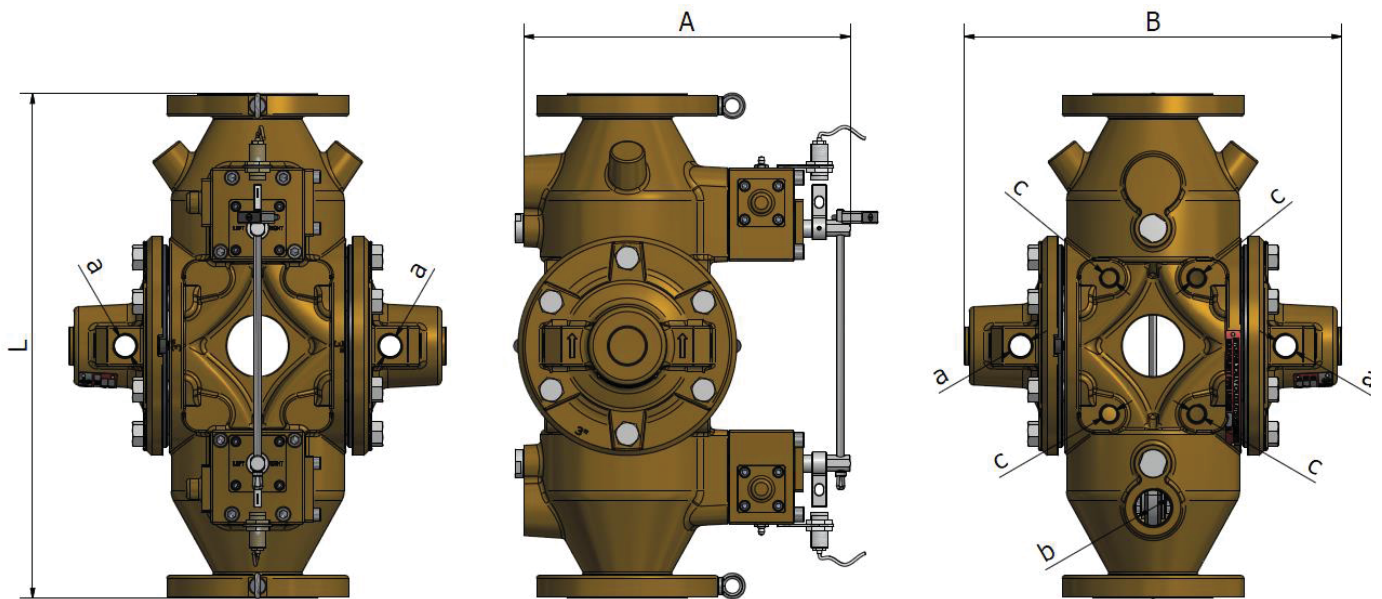
(5) Alcuni accessori e opzioni proposti potrebbero non essere coperti da certificazione SIL. Per maggiori informazioni contattare SA Fire Protection.

Notes:

(5) Some of the proposed accessories and options may not be covered by the SIL Certificate. For more details contact SA Fire Protection.

Dimensioni e Pesì – Valvola a diluvio a doppia camera

Dimensions and Weights – Double chamber deluge valve



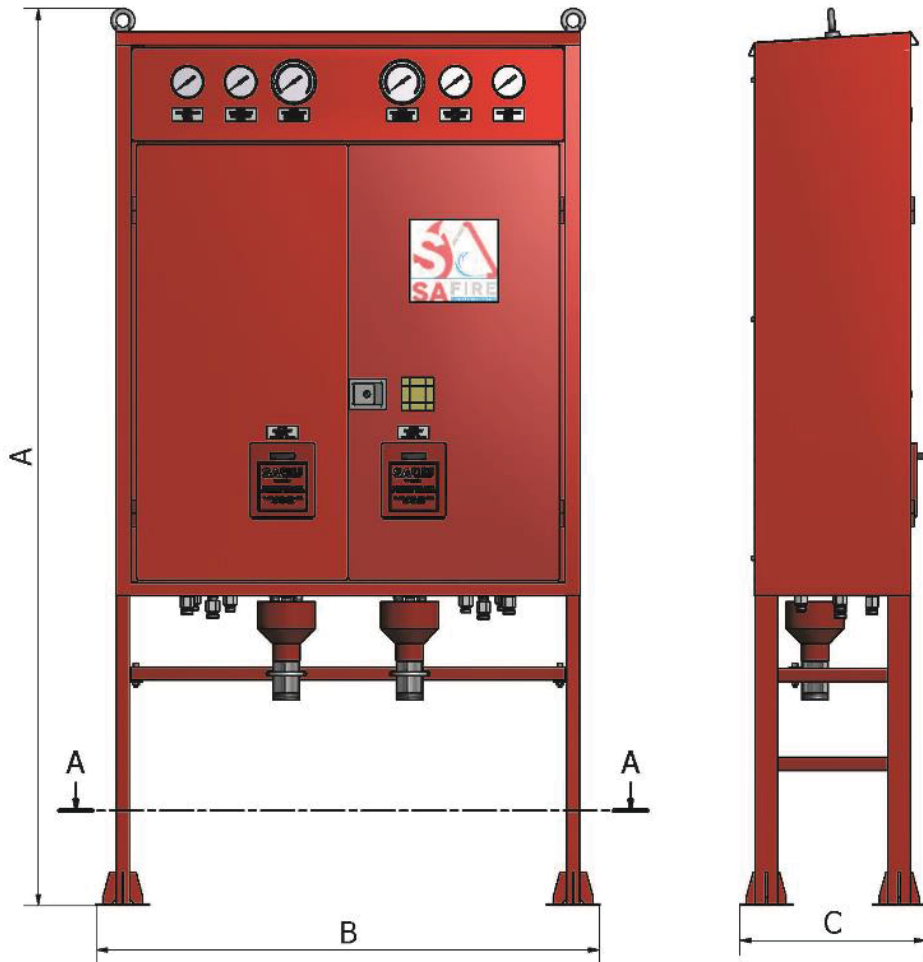
Ø Corpo Ø Body	Flangia Flange	L	A	B	a	b	c	Peso ⁽⁴⁾ Weight ⁽⁴⁾
		mm	mm	mm	Ø	Ø	Ø	kg
3" (DN 80)	ANSI 150 RF	529,6	343.5	396.8	3/4"	1 1/4"	1/2"	70
	ANSI 150 FF	526,4						
	ANSI 300 RF	539,2						
	ANSI 300 FF	536						
	UNI EN 1092-1 PN16	522						
	UNI EN 1092-1 PN25	530						
4" (DN 100)	ANSI 150 RF	569,6	369.5	432	3/4"	2"	1/2"	85
	ANSI 150 FF	566,4						
	ANSI 300 RF	585,4						
	ANSI 300 FF	582,2						
	UNI EN 1092-1 PN16	566						
	UNI EN 1092-1 PN25	574						
6" (DN 150)	ANSI 150 RF	744,8	452.5	631	3/4"	2"	1/2"	172
	ANSI 150 FF	741,6						
	ANSI 300 RF	767						
	ANSI 300 FF	763,8						
	UNI EN 1092-1 PN16	742						
	UNI EN 1092-1 PN25	754						
8" (DN 200)	ANSI 150 RF	959,2	522.5	788	3/4"	2"	1/2"	285
	ANSI 150 FF	956						
	ANSI 300 RF	984,2						
	ANSI 300 FF	981						
	UNI EN 1092-1 PN16	954						
	UNI EN 1092-1 PN25	966						

Note

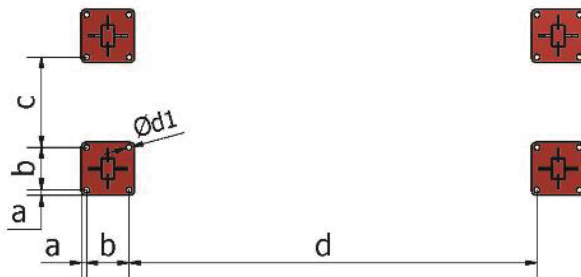
(6) Peso riferito alla valvola con flange ANSI 150 RF

Notes

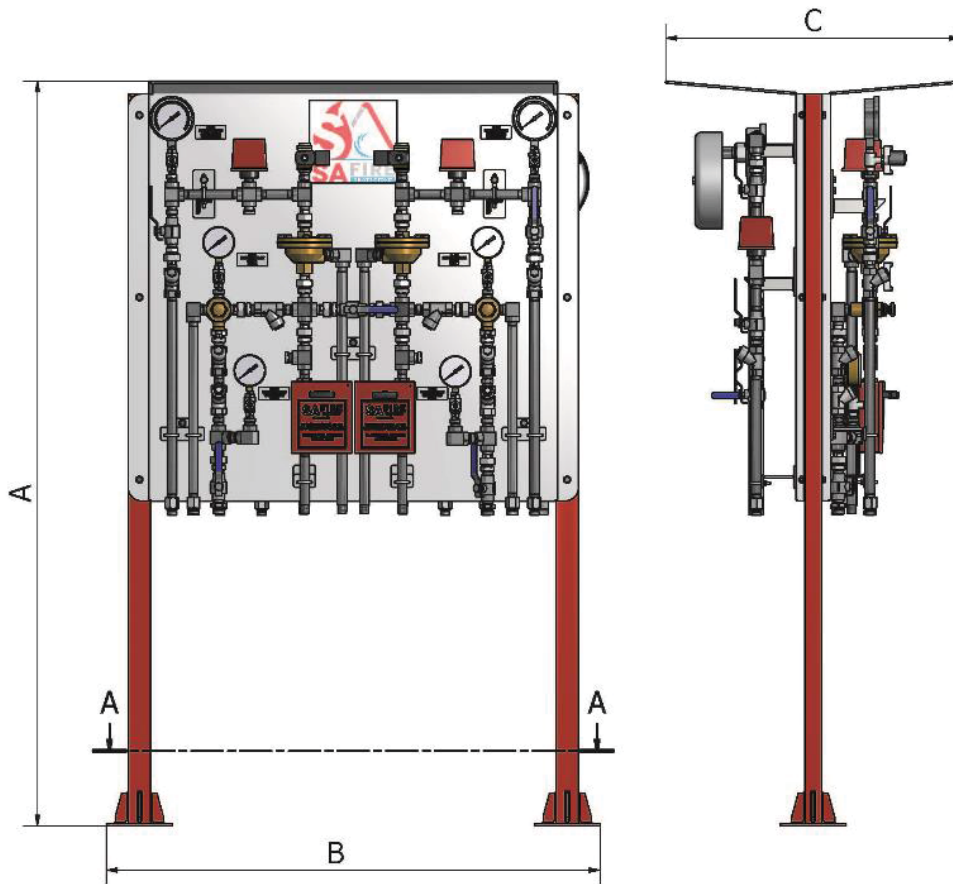
(6) Weight refers to the valve with flanges ANSI 150 RF



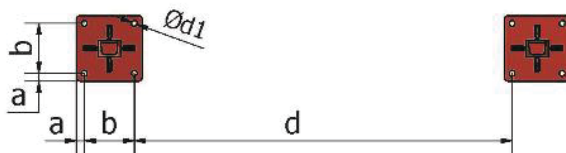
SEZIONE / SECTION
A-A



TRIM	A	B	C	a	b	c	d	Ø d1	Peso Weight
	mm	mm	mm	mm	mm	mm	mm	mm	kg
ARMADIO CABINET	2026	1137	420	12	96	204	920	13	170



SEZIONE / SECTION
A-A



TRIM	A	B	C	a	b	d	Ø d1	Peso Weight
	mm	mm	mm	mm	mm	mm	mm	kg
PANNELLO PANEL	1695	1124	672	18	114	860	13	85

Note

(7) Outline e dimensioni proposte si riferiscono alla versione UL con cabinato in acciaio al carbonio zincato. La configurazione del trim di controllo può variare in base agli accessori e alle opzioni selezionate.

Notes

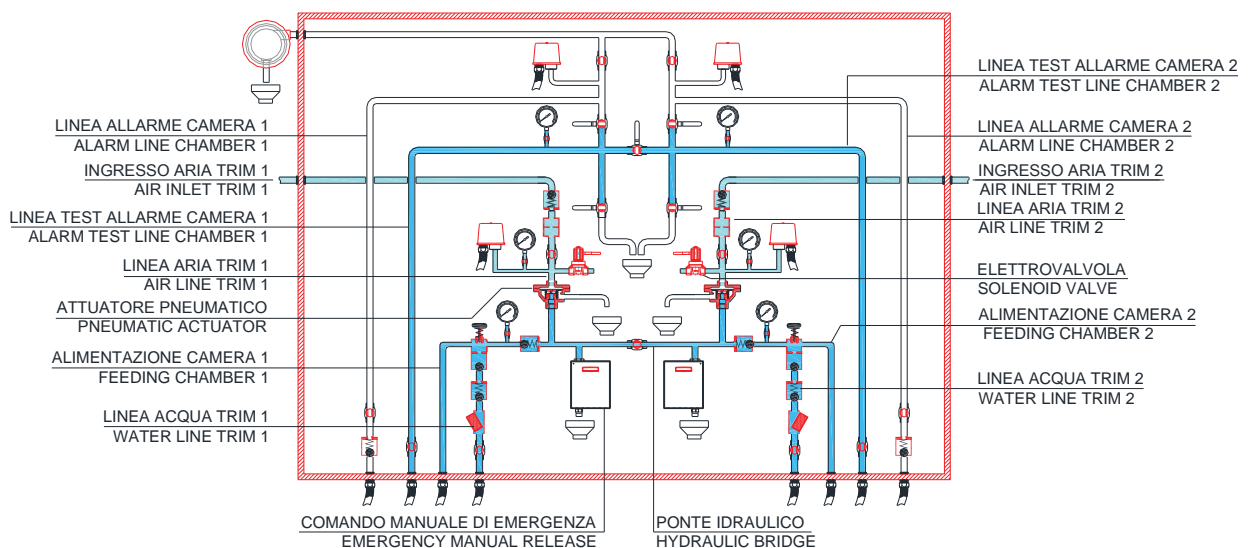
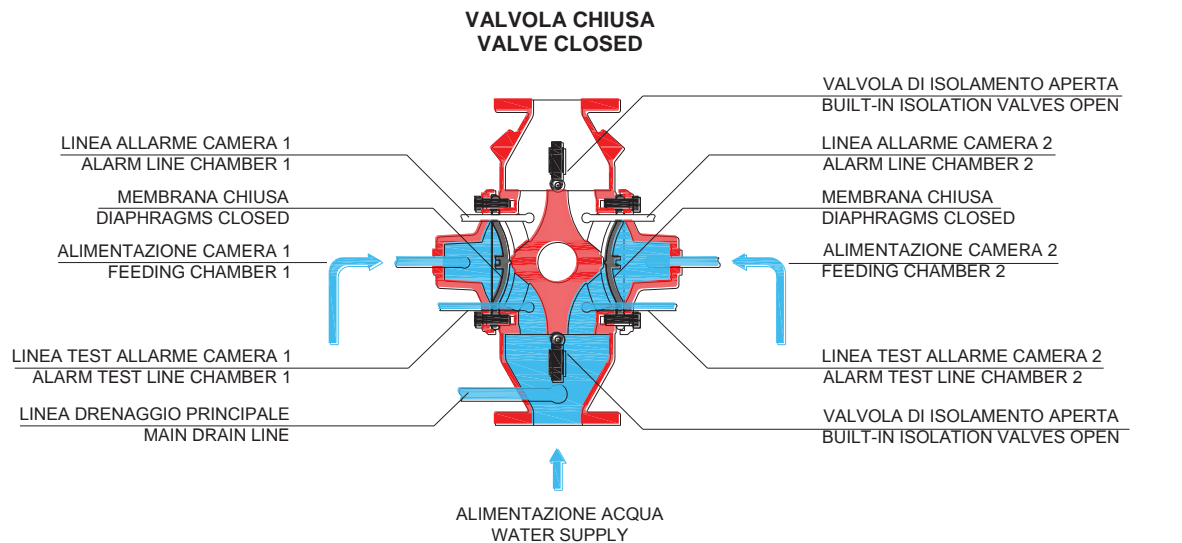
(7) Outline and dimensions refer to the UL version with galvanized carbon steel cabinet. The trim configuration may vary according to the accessories and the options selected.

Principio di funzionamento

In normale esercizio (valvola chiusa) le due camere di controllo sono mantenute in pressione dalla linea principale attraverso il proprio trim. Tale pressione fa aderire le membrane alle apposite sedi di contatto ricavate nel corpo valvola, garantendo la tenuta necessaria per mantenere la valvola chiusa. Ciascun trim di controllo è costituito da una linea acqua, mantenuta chiusa dall'attuatore pneumatico e dal comando manuale di emergenza, e da una linea aria, mantenuta chiusa dalla elettrovalvola.

Principle of operation

In normal operating conditions (valve closed) the water is supplied to the priming chambers through the trims. The pressure of the water trapped in the priming chambers holds the diaphragms on the valve seats, keeping the valve closed. Each control trim comprises a water line held closed by the pneumatic actuator and the emergency manual release, and an air line held closed by the solenoid valve.



■ ACQUA IN PRESSIONE
 WATER PRESSURE

■ ARIA IN PRESSIONE
 AIR PRESSURE

Principio di funzionamento

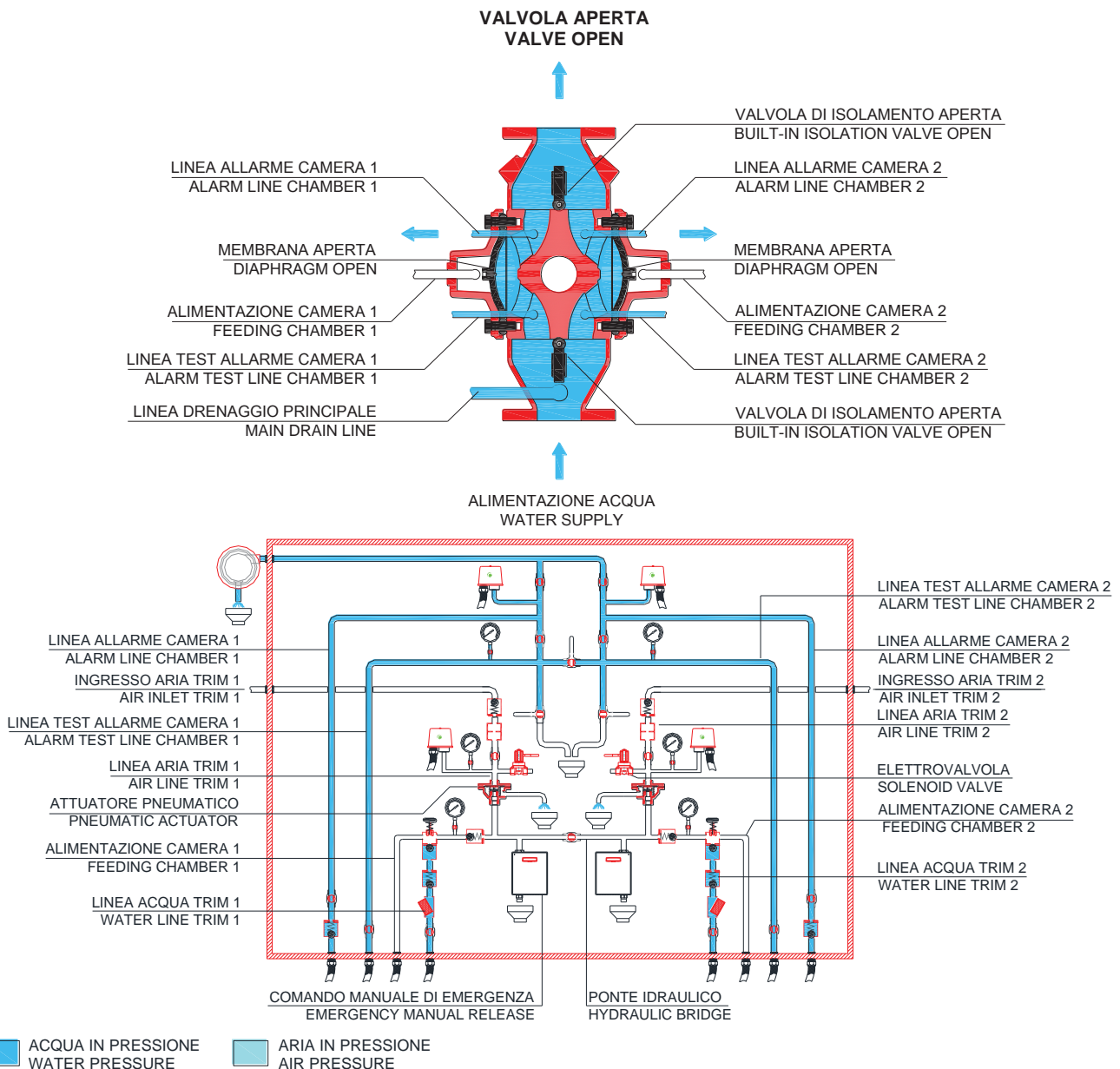
In caso di incendio (valvola aperta) l'apertura delle due elettrovalvole tramite comando remoto determinano lo svuotamento delle linee aria e la conseguente apertura dei due attuatori pneumatici, facendo defluire l'acqua nelle due camere di controllo. La pressione della linea principale risulta quindi in grado di separare le membrane dalle sedi di contatto sul corpo valvola, aprendo completamente la valvola e consentendo il flusso dell'acqua verso l'impianto di spegnimento e gli eventuali dispositivi di allarme. La valvola a diluvio può essere in alternativa aperta localmente tramite i comandi manuali di emergenza sulle linee acqua.

In ciascun trim un orificio calibrato sulla linea aria riduce l'afflusso di aria rispetto al passaggio della elettrovalvola, consentendo l'apertura del relativo attuttore pneumatico. Il riarmo manuale blocca l'afflusso di acqua alla relativa camera di controllo, mantenendo la valvola a diluvio aperta.

Principle of operation

In fire conditions (valve open) the opening of the two solenoid valves via remote signals allows the discharge of the air lines and the subsequent opening of the two pneumatic actuators, releasing the pressure from the two control chambers. The water supply pressure in the inlet chamber forces the diaphragms off from seat, allowing water to flow into the system and the alarm devices. Alternatively, the deluge valve can be opened locally through the emergency manual releases on the water lines.

In each trim a restriction orifice in the air line reduce the air inlet compared to the internal passage of the solenoid valve, allowing the opening of the relevant pneumatic actuator. The manual reset prevents water from entering the relevant control chamber, keeping the deluge valve in open position.



Principio di funzionamento

In manutenzione (una camera isolata) le camere di controllo possono essere isolate e ispezionate alternativamente ruotando le valvole di isolamento interne, mantenendo il sistema in servizio attraverso l'altra camera.

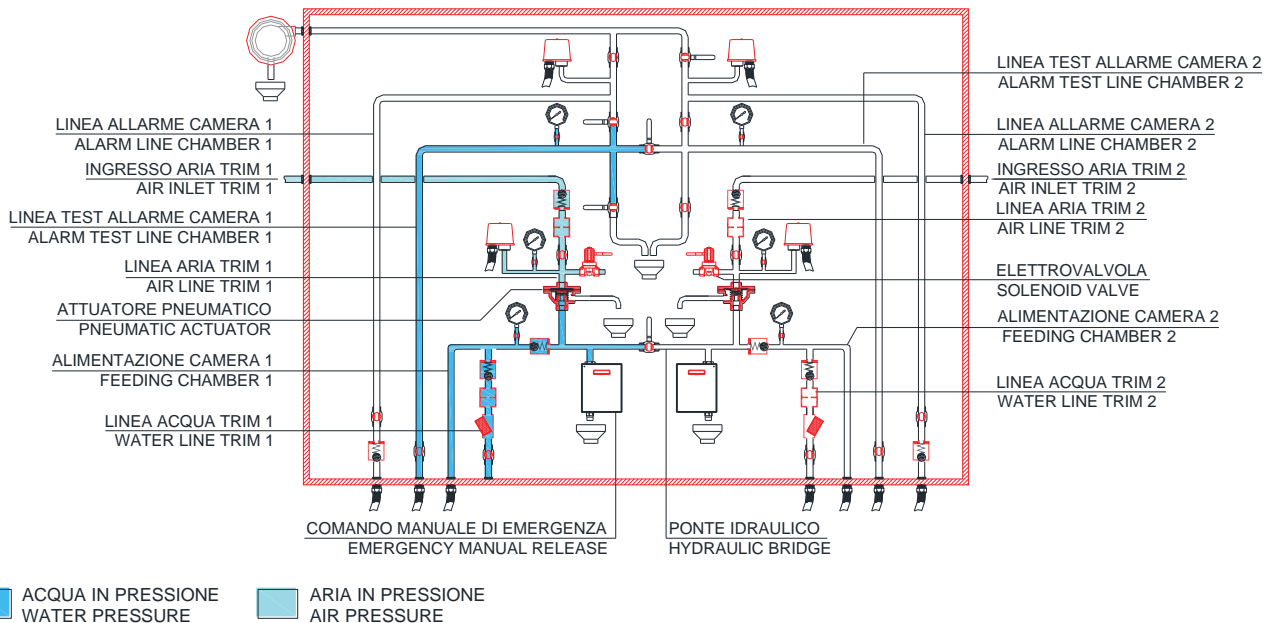
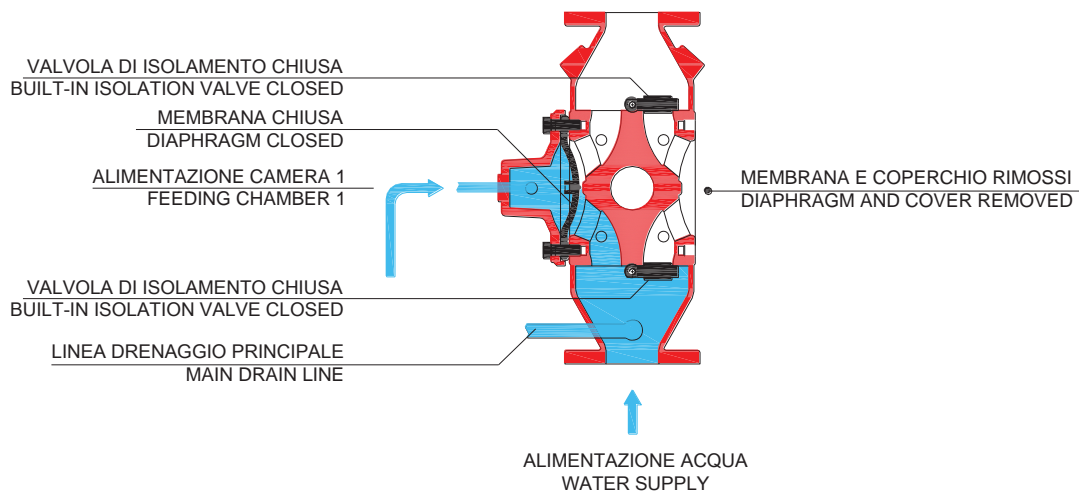
La chiusura del ponte idraulico consente di isolare il trim di controllo della camera in manutenzione ed effettuare le relative procedure di manutenzione, mantenendo il sistema antincendio in servizio attraverso l'altra camera e l'altro trim.

Principle of operation

During maintenance (one chamber isolated) the two priming chambers can be alternatively isolated and inspected turning the in-built isolation valves, keeping the fire protection system in service through the other chamber.

The control trim of the chamber under maintenance can be isolated closing the hydraulic bridge, allowing the maintenance procedures to be performed keeping the fire protection system in service through the other chamber and the other trim.

CAMERA 2 IN MANUTENZIONE E CAMERA 1 IN SERVIZIO CHAMBER 2 IN MAINTENANCE AND CHAMBER 1 IN SERVICE



Codice Identificativo
Identification Form

Mod. **VDD/D/EP** / / /

① ② ③ ④ ⑤ ⑥ ⑦ ⑧ ⑨ ⑩ ⑪ ⑫ ⑬

OPZIONI / OPTIONS

/

⑭ ⑮ ⑯ ⑰ ⑱ ⑲ ⑳ ㉑ ㉒ ㉓ ㉔ ㉕

Quantità / Quantity

**VALVOLA A DILUVIO A DOPPIA CAMERA ELETTRO-PNEUMATICA MOD. VDD/D/EP
DOUBLE CHAMBER DELUGE VALVE ELECTRO-PNEUMATIC MOD. VDD/D/EP**

TIPOLOGIA TYPE	①	Tipologia Type	Valvola a diluvio a doppia camera elettro-pneumatica Double chamber deluge valve electro-pneumatic	VDD/D/EP <input checked="" type="checkbox"/>	
VALVOLA VALVE	②	Materiale Material	Nichel Alluminio Bronzo ASTM B148 C95800 Nickel Aluminum Bronze ASTM B148 C95800	CBA10 <input type="checkbox"/>	Materiale standard Standard material
			Bronzo EN 1982 – CC491K Bronze EN 1982 – CC491K	CBG10 <input type="checkbox"/>	
	③	Dimensione Size	3"	3 <input type="checkbox"/>	
			4"	4 <input type="checkbox"/>	
			6"	6 <input type="checkbox"/>	
			8"	8 <input type="checkbox"/>	
	④	Flangia Flange	ANSI 150 RF	150RF <input type="checkbox"/>	Tipologia standard Standard type
			ANSI 150 FF	150FF <input type="checkbox"/>	
			ANSI 300 RF	300RF <input type="checkbox"/>	
			ANSI 300 FF	300FF <input type="checkbox"/>	
UNI EN PN16			PN16 <input type="checkbox"/>		
UNI EN PN25			PN25 <input type="checkbox"/>		
	Altro Other	F <input type="checkbox"/>	Specificare in Note la tipologia di flangia richiesta Specify in Notes the type of flange requested		
TRIM	⑤	Tipo di trim Trim Type	Armadio in Acciaio al carbonio zincato Cabinet Galvanized carbon steel	CTAC70 <input type="checkbox"/>	
			Armadio in Acciaio inox AISI 316 Cabinet in Stainless steel AISI 316	CTAI72 <input type="checkbox"/>	
			Pannello in Acciaio al carbonio zincato Panel Galvanized carbon steel	PTAC70 <input type="checkbox"/>	
			Pannello in Acciaio inox AISI 316 Panel in Stainless steel AISI 316	PTAI72 <input type="checkbox"/>	
	⑥	Tubi / raccordi / valvole / drenaggio principale Tubing / fittings / valves / main drain valve	Acciaio inox AISI 316/316L Stainless Steel AISI 316/316L	TAI <input type="checkbox"/>	
			Monel/Bronzo/Nichel Alluminio Bronzo Monel/Bronze/Nickel Aluminum Bronze	TMO <input type="checkbox"/>	

Prosegue alla pagina seguente / Continue to the next page

TRIM	7	Accessori (riarmo manuale, valvola di sfiato manuale, attuatore pneumatico NO) Accessories (manual reset, manual vent valve, pneumatic actuator NO)	Corpo Nichel Alluminio Bronzo, parti interne Acciaio inox Body Nickel Aluminum Bronze, internal parts Stainless steel	ABA <input type="checkbox"/>	
			Corpo Acciaio inox, parti interne Nichel Alluminio Bronzo Body Stainless steel, internal parts Nickel Aluminum Bronze	AAI <input type="checkbox"/>	
			Corpo Nichel Alluminio Bronzo, parti interne Monel Body Nickel Aluminum Bronze, internal parts Monel	AMO <input type="checkbox"/>	
	8	Manometro acqua Pressure gauge water line	PGW101 – Acciaio inox, scala 0 – 300 psi PGW101 – Stainless steel, span 0 – 300 spi	PGW101 <input type="checkbox"/>	
			PG111 – Ottone, scala 0 – 600 psi. PG111 – Brass, span 0 – 600 psi	PG111 <input type="checkbox"/>	
			PG232 – Acciaio inox, scala 0 – 25 bar PG232 – Stainless steel, span 0 – 25 bar	PG23225 <input type="checkbox"/>	
			PG262 – Acciaio inox/Monel, scala 0 – 25 bar PG262 – Stainless steel/Monel, span 0 – 25 bar	PG26225 <input type="checkbox"/>	
PG232 – Acciaio inox, scala 0 – 40 bar PG232 – Stainless steel, span 0 – 40 bar			PG23240 <input type="checkbox"/>		
PG262 – Acciaio inox/Monel, scala 0 – 40 bar PG262 – Stainless steel/Monel, span 0 – 40 bar			PG26240 <input type="checkbox"/>		
ELETTROVALVOLA SOLENOID VALVE	9	Modello Modello	SV5404 – Ottone, 2/2 vie servo-attuata SV5404 – Brass, 2/2 way with servo-piston	SV5404 <input type="checkbox"/>	
			SV238 – Acciaio inox, 2/2 vie servo-attuata SV238 – Stainless steel, , 2/2 way with servo-piston	SV238 <input type="checkbox"/>	
			SVICO4 – Acciaio inox, 3/2 vie azionamento diretto SVICO4 – Stainless steel, 3/2 way direct acting	SVICO4AI <input type="checkbox"/>	
			SVICO4 – Nichel Alluminio Bronzo, 3/2 vie azionamento diretto SVICO4 – Nickel Aluminum Bronze, 3/2 way direct acting	SVICO4BA <input type="checkbox"/>	
	10	Alimentazione Voltage	24 Vcc 24 Vdc	24DC <input type="checkbox"/>	
			110 Vcc 110 Vdc	110DC <input type="checkbox"/>	
			110 Vca 110 Vac	110AC <input type="checkbox"/>	
			Altro Other	V <input type="checkbox"/>	Specificare in Note l'alimentazione richiesta Specify in Notes the voltage requested
	11	Funzionamento Operation	Normalmente chiusa Normally closed	NC <input type="checkbox"/>	
			Normalmente aperta Normally open	NO <input type="checkbox"/>	
	12	Riarmo manual Manual reset	Leva di blocco automatica Automatic latching lever	ALL <input type="checkbox"/>	Specificare solo se richiesto. Disponibile solo per Mod. SVICO4. Tale dispositivo sostituisce il riarmo manuale del trim. Specify only if requested. Available only for Mod. SVICO4. This device replace the manual reset on the trim.
	13	Area di installazione Area of installation	Area sicura Safe area	S <input type="checkbox"/>	Non disponibile per Mod. SVICO4 Not available for Mod. SVICO4
			ATEX – Zona 1 e 2 ATEX – Zone 1 e 2	A1 <input type="checkbox"/>	

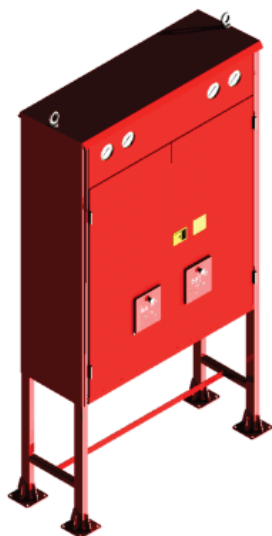
Prosegue alla pagina seguente / Continue to the next page

OPZIONI OPTIONS	14	Limit switch	Sensore di posizione IP per membrana Diaphragm Position Monitoring System IP	DPMS <input type="checkbox"/>		
			Sensore di posizione ATEX per membrana Diaphragm Position Monitoring System ATEX	DPMSA <input type="checkbox"/>		
	15	Drenaggio principale aggiuntivo Additional main drain	Seconda valvola di drenaggio principale a valle Second main drain valve downstream	2MD <input type="checkbox"/>		
	16	Sensori di prossimità Proximity sensors	Sensori di prossimità per monitorare posizione valvole di isolamento interne Proximity sensors for monitoring the position of the in-built isolation valves	SP <input type="checkbox"/>		
			Sensori di prossimità ATEX per monitorare posizione valvole di isolamento interne Proximity sensors ATEX for monitoring the position of the in-built isolation valves	SPA <input type="checkbox"/>		
	17	Drenaggio automatico Automatic drain	Corpo Nichel Alluminio Bronzo, parti interne Acciaio inox Body Nickel Aluminum Bronze, internal parts Stainless steel	DABA <input type="checkbox"/>		
			Corpo Acciaio inox, parti interne Nichel Alluminio Bronzo Body Stainless steel, internal parts Nickel Aluminum Bronze	DAAI <input type="checkbox"/>		
			Corpo Nichel Alluminio Bronzo, parti interne Monel Body Nickel Aluminum Bronze, internal parts Monel	DAMO <input type="checkbox"/>		
	18	Pressostato acqua di allarme Alarm water pressure switch	Zona sicura Safe Area	PS10 <input type="checkbox"/>		
			ATEX – Zona 1 e 2 – Acciaio inox ATEX – Zone 1 e 2 – Stainless steel	PS9681H <input type="checkbox"/>		
			ATEX – Zona 1 e 2 – Acciaio inox/Monel ATEX – Zone 1 e 2 – Stainless steel/Monel	PSUE12H <input type="checkbox"/>		
	19	Trasmettitore di pressione acqua di allarme Alarm water pressure transmitter	ATEX – Zona 1 e 2 – Acciaio inox ATEX – Zone 1 e 2 – Stainless steel	PT3051HAI <input type="checkbox"/>		
			ATEX – Zona 1 e 2 – Monel ATEX – Zone 1 e 2 – Monel	PT3051HMO <input type="checkbox"/>		
	20	Pressostato aria Air pressure switch	Zona sicura Safe Area	PS40 <input type="checkbox"/>		
			ATEX – Zona 1 e 2 ATEX – Zone 1 e 2	PS9681L <input type="checkbox"/>		
21	Trasmettitore di pressione aria Air line pressure transmitter	ATEX – Zona 1 e 2 – Acciaio inox ATEX – Zone 1 e 2 – Stainless steel	PT3051LAI <input type="checkbox"/>			
22	Campana idraulica Water gong	Campana idraulica di allarme Water motor alarm gong	WG <input type="checkbox"/>			
23	Set tubi flessibili Flexible tubing set	Tubi e raccordi in acciaio inox, lunghezza 5 m Tubing and fittings in stainless steel, length 5 m	TUFAI <input type="checkbox"/>			
		Tubi in poliammide rinforzato, raccordi in bronzo, lunghezza 5 m Tubing in reinforced polyamide, fittings in bronzes, length 5 m	TUFGO <input type="checkbox"/>			
24	Lunghezza tubi flessibili Length flexible tubing	Inserire lunghezza desiderata in metri Insert the required length in meter	(____) <input type="checkbox"/>		Compilare solo se selezionato set tubi flessibili e lunghezza diversa da 5 m. Lunghezza massima 10 m. To be filled only if flexible tubing set is selected and length is different from 5 m. Maximum length 10 m.	
25	Verniciatura Painting	Finitura diversa da standard SA Finishing different from SA standard	C <input type="checkbox"/>		Specificare in Note il ciclo di verniciatura richiesta per valvola e/o cabinato. Specify in Notes the painting procedure required.	

NOTE
NOTES

CLIENTE / CLIENT:	PROGETTO / PROJECT:	DOC. No.:	REV.:
EMESSO / ISSUED:	CONTROLLATO / CHECKED:	APPROVATO / APPROVED:	
DATA / DATE:	DATA / DATE:	DATA / DATE:	

VALVOLA A DILUVIO A DOPPIA CAMERA ON/OFF ELETTRICA MOD. VDD/OF/E DOUBLE CHAMBER DELUGE VALVE ON/OFF ELECTRIC MOD. VDD/OF/E



Descrizione



La valvola Mod. VDD/OF/E è una valvola a diluvio a doppia camera ad azionamento elettrico con riarmo remoto, disponibile nelle dimensioni da 3" (DN 80) a 8" (DN 200). Le due camere di controllo, ciascuna dotata di una propria membrana ed un trim di controllo dedicato, garantiscono una completa ridondanza del sistema con notevole incremento dei requisiti di sicurezza funzionale del dispositivo. Il trim di controllo completamente ridondato è assemblato su pannello all'interno di un cabinato, che può essere collegato alle relative connessioni della valvola a diluvio a doppia camera per mezzo di tubazioni flessibili o rigide.

Le valvole a diluvio Mod. VDD/OF/E sono utilizzate per il controllo del flusso di acqua o acqua/schiuma in impianti water spray o schiuma con sistema di rivelazione di tipo elettrico. Quando dotate dei relativi accessori (pressostati, campana idraulica) sono in grado di azionare gli allarmi all'attivazione del sistema.

In condizione di normale esercizio la valvola a diluvio elettrica VDD/OF/E è mantenuta chiusa dalla pressione dell'acqua nelle due camere di controllo. In caso di incendio l'apertura delle elettrovalvole installate sui due trim di controllo determina il deflusso dell'acqua dalle due camere di controllo e l'apertura della valvola sotto l'effetto della pressione della linea di alimentazione. L'apertura della valvola può essere operata inoltre manualmente utilizzando i relativi dispositivi di apertura manuale di emergenza sui trim di controllo. Ciascun trim è inoltre predisposto per la connessione di un eventuale comando manuale remoto sulla linea acqua.

La valvola a diluvio a doppia camera elettrica Mod. VDD/OF/E è disponibile in configurazione verticale o orizzontale. La valvola può essere riarmata dall'esterno senza necessità di essere aperta. I coperchi di ispezione consentono la manutenzione della valvola e la sostituzione delle membrane mantenendo la valvola montata sulla linea principale. La manutenzione può essere effettuata alternativamente su una delle due camere e sul relativo trim di controllo, mantenendo il sistema a diluvio in servizio attraverso l'altra camera e l'altro trim. I materiali di costruzione rendono la valvola a diluvio idonea per l'impiego con acqua di mare o soluzioni schiumogene all'interno di ambienti industriali ad alta aggressività o in applicazioni offshore.

Description



The valve Mod. VDD/OF/E is a double chamber deluge valve with electric actuation and remote reset, available in diameter sizes from 3" (DN 80) to 8" (DN 200). The two priming chambers, each one provided with its own diaphragm and control trim, provide fully redundancy improving the safety availability of the system. The fully redundant control trim is assembled on a panel inside a closed cabinet, which can be connected to the relevant ports of the double chamber deluge valve through flexible or rigid tubing.

The deluge valves Mod. VDD/OF/E are used to control water or foam/water flow in water spray or foam fire protection systems monitored by electric fire detection system. When equipped with the relevant accessories (pressure switch, water motor gong), they can provide actuation of fire alarms upon system operation.

In normal operating conditions the deluge valve electric VDD/OF/E is held closed by the water pressure in the two control chambers. In fire conditions water is released from the control chambers through the opening of the two solenoid valves installed in the two control trims, and the valve latches open under the effect of the water supply pressure. The valve can be manually open through the emergency manual releases on the control trims. Each trim is also provided with a connection for an optional remote emergency manual release line.

The double chamber deluge valve electric Mod. VDD/OF/E is available in vertical or horizontal configuration. It is designed for external resetting, without opening the valve. The cover plate allows in-line maintenance and field replace of the diaphragm to be performed. The maintenance activities can be performed alternatively on one of the two control chambers and relevant control trim, keeping the fire protection system in service through the other chamber and the other trim. The materials of construction make it suitable for being used with sea water or water foam solution within industrial harsh environments & offshore applications.

Caratteristiche principali della valvola a doppia camera Mod. VDD**Linea di bypass integrata**

La valvola a diluvio brevettata modello VDD contiene al suo interno due camere di controllo distinte, ciascuna dotata di una propria membrana ed una linea di trim dedicata. Il sistema risulta così completamente ridondato, essendo i due trim controllati da due segnali di comando distinti.

Ciascuna camera di controllo garantisce un flusso di acqua analogo a quello di una valvola a diluvio classica di pari dimensione. In caso di mancata apertura di una camera di controllo, l'apertura dell'altra camera consente il passaggio di tutta la portata di acqua necessaria per il corretto funzionamento del sistema di spegnimento.

Sistema in grado di sopperire ad una doppia avaria

Un ponte idraulico fra le due linee di trim consente a ciascun trim di far defluire l'acqua contenuta in entrambe le camere di controllo della valvola. In caso di fallimento di uno dei due trim, l'apertura dell'altro trim ed il ponte idraulico fra i due consentono l'apertura di entrambe le camere di controllo.

La valvola a doppia camera risulta così in grado di sopperire ad una doppia avaria trim + camera di controllo.

Sistema di spegnimento sempre in servizio

La valvola a diluvio a doppia camera consente di effettuare la manutenzione ordinaria e straordinaria della valvola mantenendo sempre in funzione il sistema di spegnimento.

La valvola a diluvio a doppia camera è dotata infatti di due valvole di isolamento, una in ingresso e l'altra in uscita dalla valvola. In condizioni di normale funzionamento le due valvole sono posizionate longitudinalmente rispetto all'asse della valvola. In caso di manutenzione le due valvole possono essere ruotate di 90°, isolando la camera di controllo soggetta a manutenzione e mantenendo in funzione il sistema di spegnimento attraverso l'altra camera.

Un sistema di visualizzazione esterno e dei sensori di prossimità consentono di monitorare la posizione delle due valvole di isolamento interne, mentre un sistema di bloccaggio ne impedisce la rotazione accidentale o errata.

Main characteristics of the double chamber deluge valve Mod. VDD**Built-in bypass line**

The patented deluge valve Model VDD has two priming chambers, each one provided with its own diaphragm and trim. The system is fully redundant, with the trims controlled by two independent automatic release systems.

Each priming chamber is designed to provide a waterway equal to the waterway provided by a classic deluge valve of the same diameter size. In case of failure of one diaphragm, the opening of the other diaphragm provides the nominal design waterway for the correct operation of the fire suppression system.

Designed to overcome a double failure

A hydraulic bridge between the trims allows each trim to control both the diaphragms, releasing the water trapped in the two priming chambers. In case of failure of one trim, the other trim can open both the priming chambers through a hydraulic bridge. Thus the double chamber deluge valve can overcome a double failure trim + priming chamber.

Fire suppression system always in service

The double chamber deluge valve allows in-line maintenance to be performed, keeping the fire suppression system in service. In fact, the double chamber deluge valve has two built-in isolation valves located upstream and downstream of the diaphragms respectively.

During normal operation the isolation valves are in neutral position. During maintenance the isolation valves can be alternatively turned right or left to isolate the priming chamber which is to be maintained. Meanwhile, the other priming chamber remains on duty keeping the fire suppression system in service.

An external indicator and proximity sensors allow the position of the two valves to be monitored, and a locking system prevents their accidental or incorrect rotation.

Caratteristiche tecniche

Valvola:

- Materiali corpo a scelta tra:
 - Nichel Alluminio Bronzo ASTM B148 C95800
 - Bronzo EN 1982 – CC491K
- Materiale membrana: EPDM rinforzato
- Vite di serraggio coperchio: Acciaio inox AISI 316
- Flange disponibili ANSI B16.24 o UNI EN 1092-1
- Pressione di progetto ⁽¹⁾: 26 bar
- Pressione di test: 39 bar
- Temperatura dell'acqua: da 0,5°C a 90°C
- Minima pressione di esercizio: 1,38 bar (20 psi)
- Valvola di drenaggio principale a monte
- Predisposizione attacco linea di comando manuale remoto ⁽²⁾

Finitura:

- Al naturale

Trim di controllo:

- Materiale cabinato a scelta tra:
 - Acciaio al carbonio zincato
 - Acciaio inox AISI 316
- Tubi / raccordi / valvole / drenaggio principale linea acqua:
 - Acciaio inox AISI 316/316L
 - Monel/Bronzo/Nichel Alluminio Bronzo
- Accessori (valvola di sfiato manuale):
 - Corpo Nichel Alluminio Bronzo, parti interne Acciaio inox
 - Corpo Acciaio inox, parti interne Nichel Alluminio Bronzo
 - Corpo Nichel Alluminio Bronzo, parti interne Monel
- Manometri acqua:
 - PGW101 – Acciaio inox, 0 – 300 psi / 0 – 2050 kPa, 4" x 1/4"
 - PG111 – Ottone, 0 – 600 psi, 2 1/2" x 1/4"
 - PG232 – Acciaio inox, 0 – 25 bar, 100 mm x 1/4"
 - PG262 – Acciaio inox/Monel, 0 – 25 bar, 100 mm x 1/4"
 - PG232 – Acciaio inox, 0 – 40 bar, 100 mm x 1/4"
 - PG262 – Acciaio inox/Monel, 0 – 40 bar, 100 mm x 1/4"

Ciclo verniciatura standard SA per cabinato:

- Pulizia manuale con solvente
- Primer epossidico 60 µm
- Intermedio epossidico 30 µm
- Finitura poliuretano 30 µm
- Spessore totale film secco 120 µm +/-10%
- Colore rosso RAL 3000

Prosegue alla pagina seguente / Continue to the next page

Note:

- (1) La massima pressione di esercizio può essere limitata dalla flangiatura e dalla elettrovalvola selezionata
- (2) Per il comando manuale di emergenza vedi DS N.30.20.40.60.

Technical characteristics

Valve:

- Body materials to be selected among:
 - Nickel Aluminum Bronze ASTM B148 C95800
 - Bronze EN 1982 – CC491K
- Diaphragm material: EPDM fabric reinforced
- Nuts and bolts material: Stainless steel AISI 316
- Flanges ANSI B16.24 or UNI EN 1092-1
- Design pressure ⁽¹⁾: 26 bar
- Test pressure: 39 bar
- Water temperature: from 0,5 °C to 90°C
- Minimum working pressure: 1.38 bar (20 psi)
- Main drain valve upstream
- Connection for remote emergency manual release line ⁽²⁾

Finish:

- Natural

Control trim:

- Cabinet material to be selected among:
 - Galvanized carbon steel
 - Stainless steel AISI 316
- Tubing / fittings / valves / main drain valve for water line:
 - Stainless steel AISI 316/316L
 - Monel/Bronze/Nickel Aluminum Bronze
- Accessories (manual vent valve):
 - Body Nickel Aluminum Bronze, internal parts Stainless steel
 - Body Stainless steel, internal parts Nickel Aluminum Bronze
 - Body Nickel Aluminum Bronze, internal parts Monel
- Water pressure gauges:
 - PGW101 - Stainless steel, 0 - 300 psi / 0 - 2050 kPa, 4" x 1/4"
 - PG111 – Brass, 0 – 600 psi, 2 1/2" x 1/4"
 - PG232 – Stainless steel, 0 – 25 bar, 100 mm x 1/4"
 - PG262 – Stainless steel/Monel, 0 – 25 bar, 100 mm x 1/4"
 - PG232 – Stainless steel, 0 – 40 bar, 100 mm x 1/4"
 - PG262 – Stainless steel/Monel, 0 – 40 bar, 100 mm x 1/4"

Painting system standard SA for cabinet:

- Manual cleaning solvent
- Epoxy primer 60 µm
- Epoxy Intermediate 30 µm
- Polyurethane finish 30 µm
- Total thickness 120 µm dry film +/-10%
- Colour red RAL 3000

Notes:

- (1) The maximum working pressure could be limited by the selected flange type and solenoid valve
- (2) For emergency manual release see DS N.30.20.40.60.

Caratteristiche tecniche
Elettrovalvola:

- Modelli disponibili:
 - SV5404 – Ottone, 2/2 vie servo-attuata
 - SV238 – Acciaio inox, 2/2 vie servo-attuata
 - SVICO4 – Acciaio inox, 3/2 vie azionamento diretto
 - SVICO4 – Nichel Alluminio Bronzo, 3/2 vie azionamento diretto
- Alimentazione:
 - 24 Vcc
 - 110 Vcc
 - 110 Vca
- Funzionamento:
 - Normalmente Chiusa NC
 - Normalmente Aperta NO
- Area di installazione:
 - Zona sicura
 - ATEX Zona 1 e 2

Technical characteristics
Solenoid valve:

- Models available:
 - SV5404 – Brass, 2/2 way with servo-piston
 - SV238 – Stainless steel, 2/2 way with servo-piston
 - SVICO4 – Stainless steel, 3/2 way direct acting
 - SVICO4 – Nickel Aluminum Bronze, 3/2 way direct acting
- Voltage:
 - 24 Vdc
 - 110 Vdc
 - 110 Vac
- Operation:
 - Normally Closed NC
 - Normally Open NO
- Installation area:
 - Safe Area
 - ATEX Zone 1 and 2

Certificazioni

- Certificato di validazione SIL 3 emesso da Bureau Veritas
- In attesa di certificazione UL ⁽³⁾: pressione di esercizio da 1,38 bar (20 psi) a 20,7 bar (300 psi), dimensioni da 3" a 8"

Certifications

- Validation certificate for SIL 3 systems issued by Bureau Veritas
- Under application for the UL Listing ⁽³⁾ program: working pressure from 20 psi (1,38 bar) to 300 psi (20,7 bar), sizes from 3" to 8"

Parametri sicurezza funzionale

- λ_D : Rateo di guasto Dangerous
- λ_S : Rateo di guasto Safe
- λ_{DD} : Rateo di guasto Dangerous Detectable
- SFF: Safe Failure Fraction
- PFD_{avg} : Probabilità media di guasto su richiesta

Functional safety parameters

- λ_D : Rate of Dangerous failure
- λ_S : Rate of Safe failure
- λ_{DD} : Rate of Dangerous Detectable failure
- SFF: Safe Failure Fraction
- PFD_{avg} : Average Probability of Failure on Demand

Trim	λ_D	λ_S	λ_{DD}	SFF	PFD_{avg}
Diluvio ON/OFF elettrica ⁽⁴⁾ Deluge ON/OFF electric ⁽⁴⁾	$1,123 \cdot 10^{-06}$	$2,612 \cdot 10^{-05}$	$1,097 \cdot 10^{-06}$	>99,9%	$5,72 \cdot 10^{-04}$

Note:

(3) Alcuni accessori e opzioni proposti potrebbero non essere coperti da certificazione UL. Per maggiori informazioni verificare i dettagli dell'approvazione o contattare SA Fire Protection

(4) Alcuni accessori e opzioni proposti potrebbero non essere coperti da certificazione SIL. Per maggiori informazioni contattare SA Fire Protection.

Notes:

(3) Some of the proposed accessories and options may not be covered by the UL Listing. For more details refer to the Approval details or contact SA Fire Protection

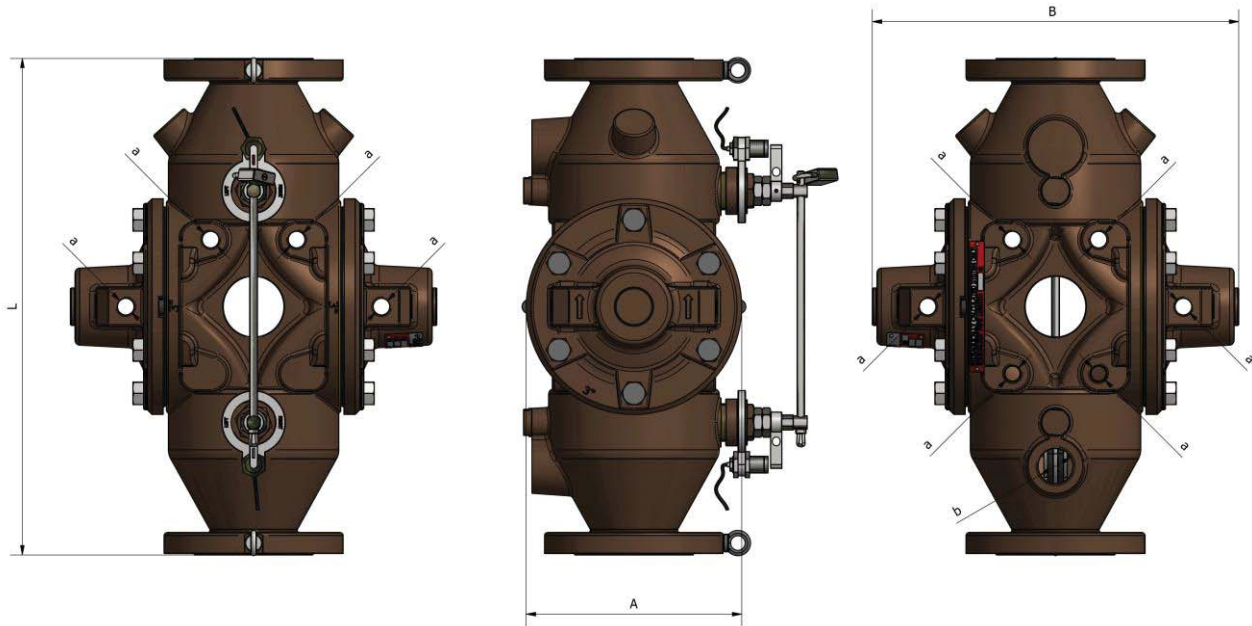
(4) Some of the proposed accessories and options may not be covered by the SIL Certificate. For more details contact SA Fire Protection.

Opzioni

- Sensore di posizione per membrana
- Drenaggio principale aggiuntivo a valle
- Valvola di drenaggio automatico
- Sensori di prossimità per monitoraggio valvole isolamento interne
- Pressostato acqua linea di allarme
- Trasmettitore di pressione acqua linea di allarme
- Campana idraulica
- Tubi flessibili di collegamento valvola-cabinato (lunghezza massima 10 m)
- Finitura diversa dallo Standard SA
- Per ulteriori opzioni o versioni speciali contattare SA Fire Protection

Optional

- Diaphragm position monitoring system
- Additional main drain valve downstream
- Automatic drain valve
- Proximity sensors for monitoring the built-in isolation valves
- Alarm line water pressure switch
- Alarm line water pressure transmitter
- Water motor gong
- Flexible tubing for connection valve-cabinet (maximum length 10 m)
- Finish different from Standard SA
- For additional options or special versions contact SA Fire Protection



Ø Corpo Ø Body	Flangia Flange	L	A	B	a	b	Peso ⁽⁵⁾ Weight ⁽⁵⁾
		mm	mm	mm	Ø	Ø	kg
3" (DN 80)	ANSI 150 RF	529,6	230	391	1/2"	1 1/4"	60
	ANSI 150 FF	526,4					
	ANSI 300 RF	539,2					
	ANSI 300 FF	536					
	UNI EN 1092-1 PN16	522					
	UNI EN 1092-1 PN25	530					
4" (DN 100)	ANSI 150 RF	569,6	260	432	1/2"	2"	85
	ANSI 150 FF	566,4					
	ANSI 300 RF	585,4					
	ANSI 300 FF	582,2					
	UNI EN 1092-1 PN16	566					
	UNI EN 1092-1 PN25	574					
6" (DN 150)	ANSI 150 RF	744,8	325	629	1/2"	2"	155
	ANSI 150 FF	741,6					
	ANSI 300 RF	767					
	ANSI 300 FF	763,8					
	UNI EN 1092-1 PN16	742					
	UNI EN 1092-1 PN25	754					
8" (DN 200)	ANSI 150 RF	959,2	400	772	1/2"	2"	240
	ANSI 150 FF	956					
	ANSI 300 RF	984,2					
	ANSI 300 FF	981					
	UNI EN 1092-1 PN16	954					
	UNI EN 1092-1 PN25	966					

Note

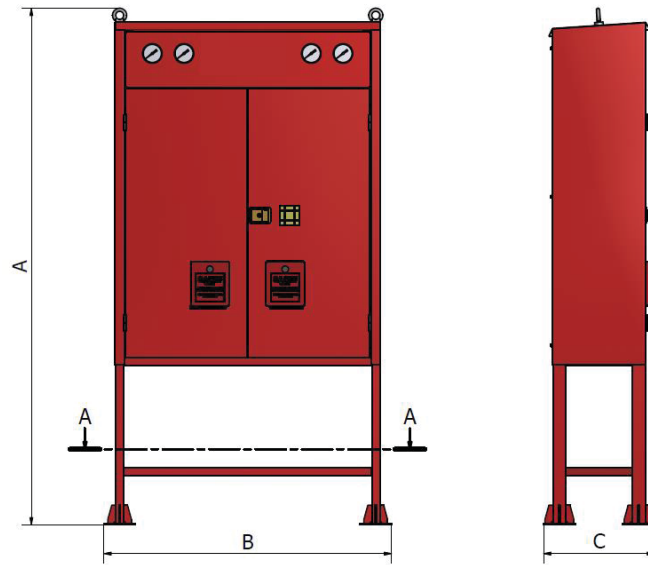
(5) Peso riferito alla valvola con flange ANSI 150 RF

Notes

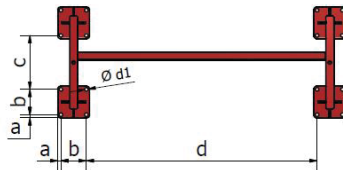
(5) Weight refers to the valve with flanges ANSI 150 RF

Dimensioni e Pesì ⁽⁶⁾ – Cabinato trim

Dimensions and Weights ⁽⁶⁾ – Trim Cabinet



SEZIONE / SECTION A-A



A	B	C	a	b	c	d	Ø d1	Peso Weight
mm	mm	mm	mm	mm	mm	mm	mm	kg
1957	1090	420	12	96	204	874	13	170

Note

(6) Outline e dimensioni proposte si riferiscono alla versione UL con cabinato in acciaio al carbonio zincato. La configurazione del trim di controllo può variare in base agli accessori e alle opzioni selezionate.

Notes

(6) Outline and dimensions refer to the UL version with galvanized carbon steel cabinet. The trim configuration may vary according to the accessories and the options selected.

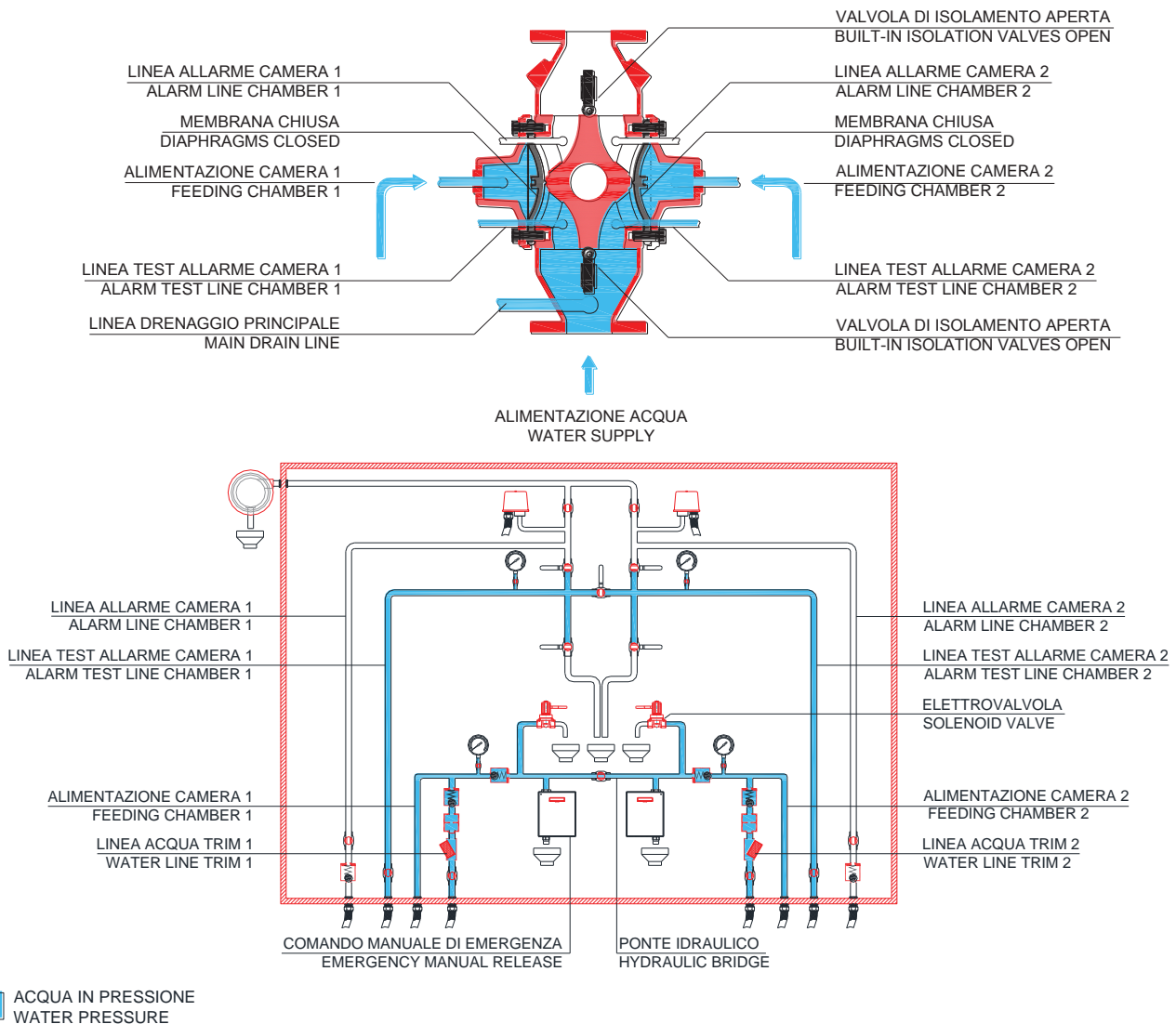
Principio di funzionamento

In normale esercizio (valvola chiusa) le due camere di controllo sono mantenute in pressione dalla linea principale attraverso il proprio trim. Tale pressione fa aderire le membrane alle apposite sedi di contatto ricavate nel corpo valvola, garantendo la tenuta necessaria per mantenere la valvola chiusa. Ciascun trim di controllo è mantenuto chiuso dalla elettrovalvola e dal comando manuale di emergenza.

Principle of operation

In normal operating conditions (valve closed) the water is supplied to the priming chambers through the trims. The pressure of the water trapped in the priming chambers holds the diaphragms on the valve seats, keeping the valve closed. Each trim is held closed by the solenoid valve and the emergency manual release.

VALVOLA CHIUSA VALVE CLOSED

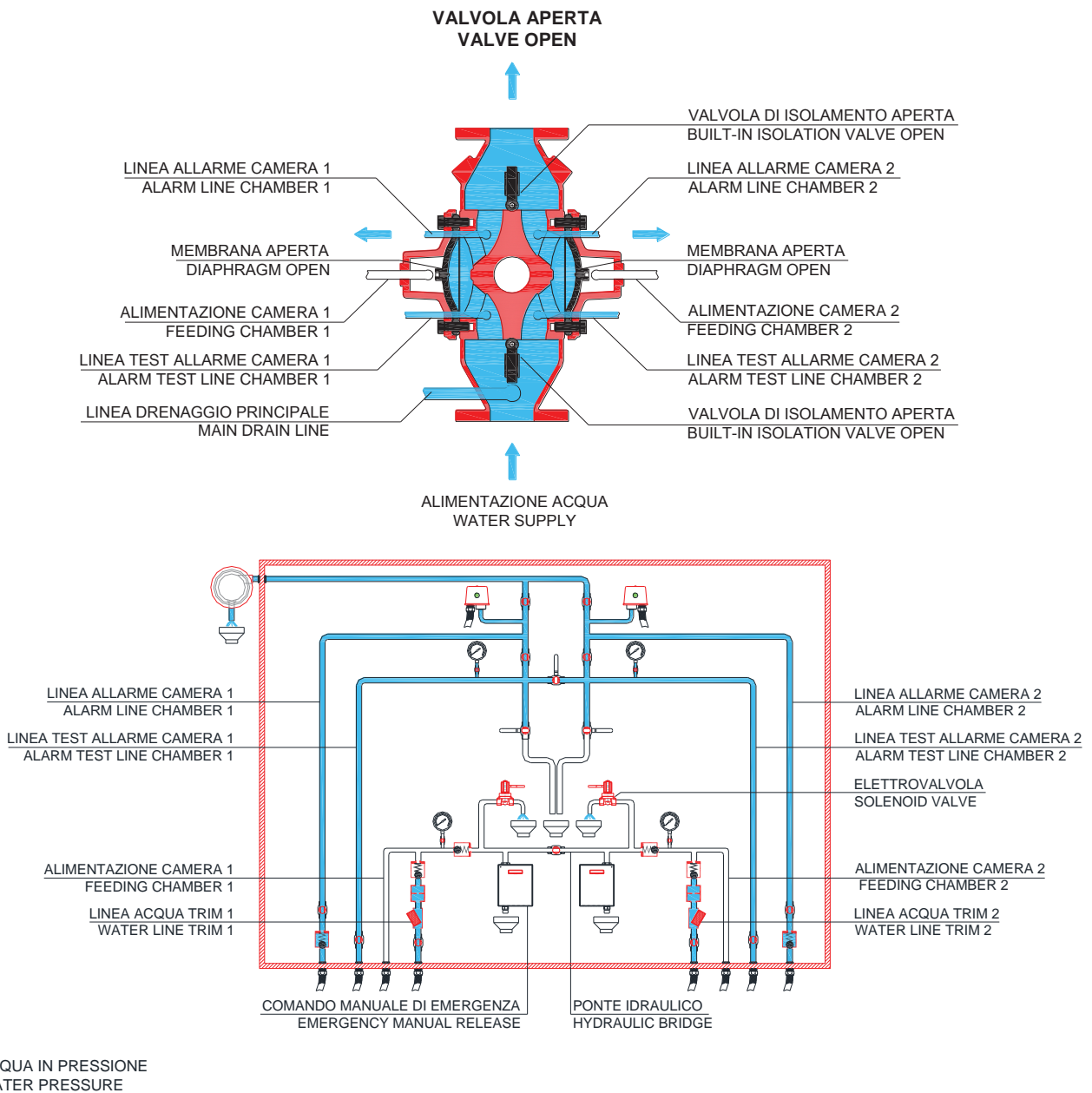


Principio di funzionamento

In caso di incendio (valvola aperta) l'apertura delle due elettrovalvole tramite comando remoto determinano il deflusso dell'acqua contenuta nelle due camere di controllo. La pressione della linea principale risulta quindi in grado di separare le membrane dalle sedi di contatto sul corpo valvola, aprendo completamente la valvola e consentendo il flusso dell'acqua verso l'impianto di spegnimento e gli eventuali dispositivi di allarme. La valvola a diluvio può essere in alternativa aperta localmente tramite i comandi manuali di emergenza. In ciascun trim un orificio calibrato riduce l'afflusso di acqua rispetto al passaggio della elettrovalvola, consentendo l'apertura della relativa camera di controllo.

Principle of operation

In fire conditions (valve open) the opening of the two solenoid valves via remote signals releases the pressure from the two control chambers. The water supply pressure in the inlet chamber forces the diaphragms off from seat, allowing water to flow into the system and the alarm devices. Alternatively, the deluge valve can be opened locally through the emergency manual releases. In each trim a restriction orifice reduces the water inlet compared to the internal passage of the solenoid valve, allowing the opening of the priming chamber.



Principio di funzionamento

In manutenzione (una camera isolata) le camere di controllo possono essere isolate e ispezionate alternativamente ruotando le valvole di isolamento interne, mantenendo il sistema in servizio attraverso l'altra camera.

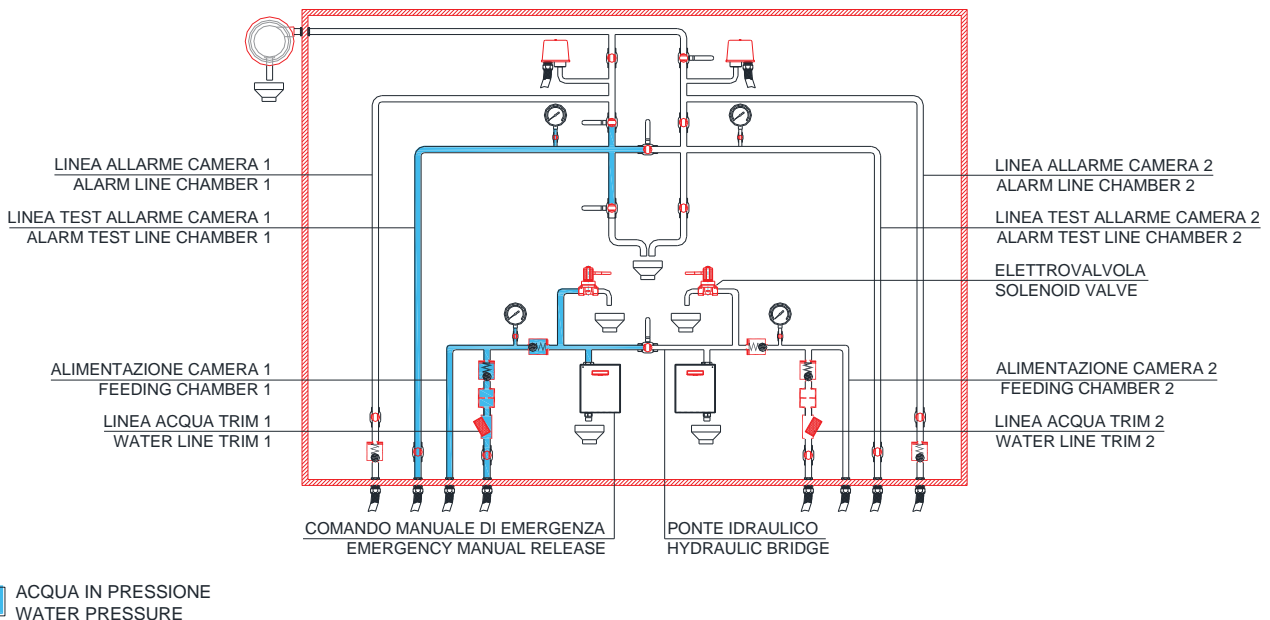
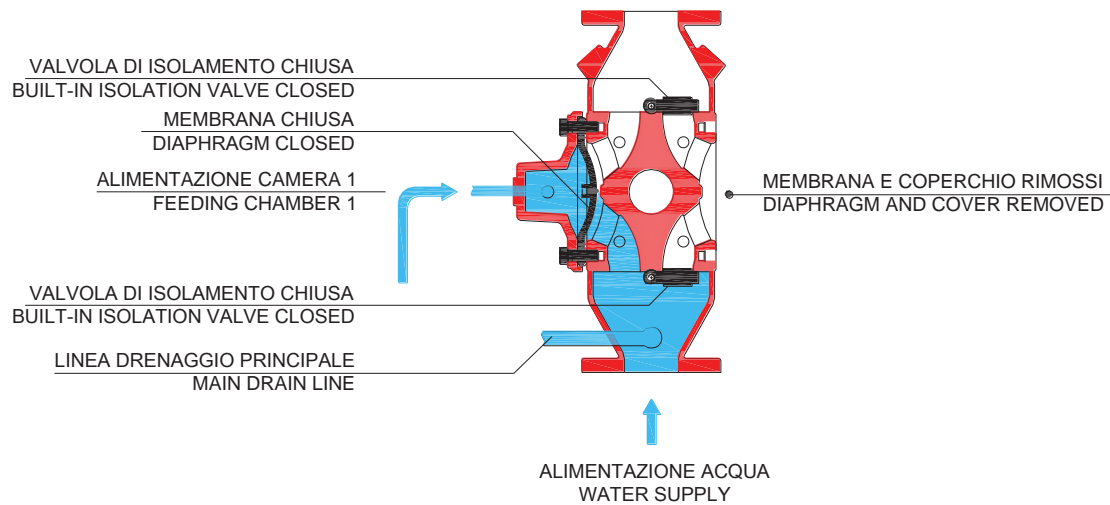
La chiusura del ponte idraulico consente di isolare il trim di controllo della camera in manutenzione ed effettuare le relative procedure di manutenzione, mantenendo il sistema antincendio in servizio attraverso l'altra camera e l'altro trim.

Principle of operation

During maintenance (one chamber isolated) the two priming chambers can be alternatively isolated and inspected turning the in-built isolation valves, keeping the fire protection system in service through the other chamber.

The control trim of the chamber under maintenance can be isolated closing the hydraulic bridge, allowing the maintenance procedures to be performed keeping the fire protection system in service through the other chamber and the other trim.

CAMERA 2 IN MANUTENZIONE E CAMERA 1 IN SERVIZIO CHAMBER 2 IN MAINTENANCE AND CHAMBER 1 IN SERVICE



Codice Identificativo
Identification Form

Mod. / / /

1 2 3 4 5 6 7 8 9 10 11 12

OPZIONI/OPTIONS

/

13 14 15 16 17 18 19 20 21 22

Quantità / Quantity

VALVOLA A DILUVIO A DOPPIA CAMERA ON/OFF ELETTRICA MOD. VDD/OF/E
DOUBLE CHAMBER DELUGE VALVE ON/OFF ELECTRIC MOD. VDD/OF/E

TIPOLOGIA TYPE	1	Tipologia Type	Valvola a diluvio a doppia camera ON/OFF elettrica Double chamber deluge valve ON/OFF electric	VDD/OF/E <input checked="" type="checkbox"/>	
	VALVOLA VALVE	2	Materiale Material	Nichel Alluminio Bronzo ASTM B148 C95800 Nickel Aluminum Bronze ASTM B148 C95800	CBA10 <input type="checkbox"/>
Bronzo EN 1982 – CC491K Bronze EN 1982 – CC491K				CBG10 <input type="checkbox"/>	
3		Dimensione Size	3"	3 <input type="checkbox"/>	
			4"	4 <input type="checkbox"/>	
			6"	6 <input type="checkbox"/>	
			8"	8 <input type="checkbox"/>	
4		Flangia Flange	ANSI 150 RF	150RF <input type="checkbox"/>	Tipologia standard Standard type
			ANSI 150 FF	150FF <input type="checkbox"/>	
			ANSI 300 RF	300RF <input type="checkbox"/>	
			ANSI 300 FF	300FF <input type="checkbox"/>	
	UNI PN16		PN16 <input type="checkbox"/>		
	UNI PN25		PN25 <input type="checkbox"/>		
	Altro Other	F <input type="checkbox"/>	Specificare in Note la tipologia di flangia richiesta Specify in Notes the type of flange requested		
TRIM	5	Materiale cabinato Cabinet material	Acciaio al carbonio zincato Galvanized carbon steel	CTAC70 <input type="checkbox"/>	
			Acciaio inox AISI 316 Stainless steel AISI 316	CTAI72 <input type="checkbox"/>	
	6	Tubi / raccordi / valvole / drenaggio principale Tubing / fittings / valves / main drain valve	Acciaio inox AISI 316/316L Stainless Steel AISI 316/316L	TAI <input type="checkbox"/>	
			Monel/Bronzo/Nichel Alluminio Bronzo Monel/Bronze/Nickel Aluminum Bronze	TMO <input type="checkbox"/>	

Prosegue alla pagina seguente / Continue to the next page

TRIM	7	Accessori (valvola di sfiato manuale) Accessories (manual vent valve)	Corpo Nichel Alluminio Bronzo, parti interne Acciaio inox Body Nickel Aluminum Bronze, internal parts Stainless steel	ABA <input type="checkbox"/>	
			Corpo Acciaio inox, parti interne Nichel Alluminio Bronzo Body Stainless steel, internal parts Nickel Aluminum Bronze	AAI <input type="checkbox"/>	
			Corpo Nichel Alluminio Bronzo, parti interne Monel Body Nickel Aluminum Bronze, internal parts Monel	AMO <input type="checkbox"/>	
	8	Manometro Pressure gauge	PGW101 – Acciaio inox, scala 0 – 300 psi PGW101 – Stainless steel, span 0 – 300 spi	PGW101 <input type="checkbox"/>	
			PG111 – Ottone, scala 0 – 600 psi. PG111 – Brass, span 0 – 600 psi	PG111 <input type="checkbox"/>	
			PG232 – Acciaio inox, scala 0 – 25 bar PG232 – Stainless steel, span 0 – 25 bar	PG23225 <input type="checkbox"/>	
			PG262 – Acciaio inox/Monel, scala 0 – 25 bar PG262 – Stainless steel/Monel, span 0 – 25 bar	PG26225 <input type="checkbox"/>	
PG232 – Acciaio inox, scala 0 – 40 bar PG232 – Stainless steel, span 0 – 40 bar			PG23240 <input type="checkbox"/>		
PG262 – Acciaio inox/Monel, scala 0 – 40 bar PG262 – Stainless steel/Monel, span 0 – 40 bar			PG26240 <input type="checkbox"/>		
ELETTROVALVOLA SOLENOID VALVE	9	Modello Modello	SV5404 – Ottone, 2/2 vie servo-attuata SV5404 – Brass, 2/2 way with servo-piston	SV5404 <input type="checkbox"/>	
			SV238 – Acciaio inox, 2/2 vie servo-attuata SV238 – Stainless steel, , 2/2 way with servo-piston	SV238 <input type="checkbox"/>	
			SVICO4 – Acciaio inox, 3/2 vie azionamento diretto SVICO4 – Stainless steel, 3/2 way direct acting	SVICO4AI <input type="checkbox"/>	
			SVICO4 – Nichel Alluminio Bronzo, 3/2 vie azionamento diretto SVICO4 – Nickel Aluminum Bronze, 3/2 way direct acting	SVICO4BA <input type="checkbox"/>	
	10	Alimentazione Voltage	24 Vcc 24 Vdc	24DC <input type="checkbox"/>	
			110 Vcc 110 Vdc	110DC <input type="checkbox"/>	
			110 Vca 110 Vac	110AC <input type="checkbox"/>	
			Altro Other	V <input type="checkbox"/>	Specificare in Note l'alimentazione richiesta Specify in Notes the voltage requested
	11	Funzionamento Operation	Normalmente chiusa Normally closed	NC <input type="checkbox"/>	
			Normalmente aperta Normally open	NO <input type="checkbox"/>	
	12	Area di installazione Area of installation	Area sicura Safe area	S <input type="checkbox"/>	Non disponibile per Mod. SVICO4 Not available for Mod. SVICO4
			ATEX – Zona 1 e 2 ATEX – Zone 1 e 2	A1 <input type="checkbox"/>	

Prosegue alla pagina seguente / Continue to the next page

OPZIONI OPTIONS	13	Limit switch	Sensore di posizione IP per membrana Diaphragm Position Monitoring System IP	DPMS <input type="checkbox"/>	
			Sensore di posizione ATEX per membrana Diaphragm Position Monitoring System ATEX	DPMSA <input type="checkbox"/>	
	14	Drenaggio principale aggiuntivo Additional main drain	Seconda valvola di drenaggio principale a valle Second main drain valve downstream	2MD <input type="checkbox"/>	
	15	Sensori di prossimità Proximity sensors	Sensori di prossimità per monitorare posizione valvole di isolamento interne Proximity sensors for monitoring the position of the in-built isolation valves	SP <input type="checkbox"/>	
			Sensori di prossimità ATEX per monitorare posizione valvole di isolamento interne Proximity sensors ATEX for monitoring the position of the in-built isolation valves	SPA <input type="checkbox"/>	
	16	Drenaggio automatico Automatic drain	Corpo Nichel Alluminio Bronzo, parti interne Acciaio inox Body Nickel Aluminum Bronze, internal parts Stainless steel	DABA <input type="checkbox"/>	
			Corpo Acciaio inox, parti interne Nichel Alluminio Bronzo Body Stainless steel, internal parts Nickel Aluminum Bronze	DAAI <input type="checkbox"/>	
			Corpo Nichel Alluminio Bronzo, parti interne Monel Body Nickel Aluminum Bronze, internal parts Monel	DAMO <input type="checkbox"/>	
	17	Pressostato acqua di allarme Alarm water pressure switch	Zona sicura Safe Area	PS10 <input type="checkbox"/>	
			ATEX – Zona 1 e 2 – Acciaio inox ATEX – Zone 1 e 2 – Stainless steel	PS9681H <input type="checkbox"/>	
ATEX – Zona 1 e 2 – Acciaio inox/Monel ATEX – Zone 1 e 2 – Stainless steel/Monel			PSUE12H <input type="checkbox"/>		
18	Trasmittitore di pressione acqua di allarme Alarm water pressure transmitter	ATEX – Zona 1 e 2 – Acciaio inox ATEX – Zone 1 e 2 – Stainless steel	PT3051HAI <input type="checkbox"/>		
		ATEX – Zona 1 e 2 – Monel ATEX – Zone 1 e 2 – Monel	PT3051HMO <input type="checkbox"/>		
19	Campana idraulica Water gong	Campana idraulica di allarme Water motor alarm gong	WG <input type="checkbox"/>		
20	Set tubi flessibili Flexible tubing set	Tubi e raccordi in acciaio inox, lunghezza 5 m Tubing and fittings in stainless steel, length 5 m	TUFAI <input type="checkbox"/>		
		Tubi in poliammide rinforzato, raccordi in bronzo, lunghezza 5 m Tubing in reinforced polyamide, fittings in bronzes, length 5 m	TUFGO <input type="checkbox"/>		
21	Lunghezza tubi flessibili Length flexible tubing	Inserire lunghezza desiderata in metri Insert the required length in meter	(____) <input type="checkbox"/>	<p>Compilare solo se selezionato set tubi flessibili e lunghezza diversa da 5 m. Lunghezza massima 10 m.</p> <p>To be filled only if flexible tubing set is selected and length is different from 5 m. Maximum length 10 m.</p>	
22	Verniciatura Painting	Finitura diversa da standard SA Finishing different from SA standard	C <input type="checkbox"/>	<p>Specificare in Note il ciclo di verniciatura richiesta per valvola e/o cabinato.</p> <p>Specify in Notes the painting procedure required.</p>	

Prosegue alla pagina seguente / Continue to the next page

NOTE
NOTES

CLIENTE / CLIENT:	PROGETTO / PROJECT:	DOC. No.:	REV.:
EMESSO / ISSUED:	CONTROLLATO / CHECKED:	APPROVATO / APPROVED:	
DATA / DATE:	DATA / DATE:	DATA / DATE:	

VALVOLA A DILUVIO A DOPPIA CAMERA ON/OFF ELETTRO-PNEUMATICA MOD. VDD/OF/EP DOUBLE CHAMBER DELUGE VALVE ON/OFF ELECTRO-PNEUMATIC MOD. VDD/OF/EP



Descrizione



La valvola Mod. VDD/OF/EP è una valvola a diluvio a doppia camera ad azionamento elettro-pneumatico con riarmo remoto, disponibile nelle dimensioni da 3" (DN 80) a 8" (DN 200). Le due camere di controllo, ciascuna dotata di una propria membrana ed un trim di controllo dedicato, garantiscono una completa ridondanza del sistema con notevole incremento dei requisiti di sicurezza funzionale del dispositivo. Il trim di controllo completamente ridondato è assemblato su pannello all'interno di un cabinato, che può essere collegato alle relative connessioni della valvola a diluvio a doppia camera per mezzo di tubazioni flessibili o rigide.

Le valvole a diluvio Mod. VDD/OF/EP sono utilizzate per il controllo del flusso di acqua o acqua/schiuma in impianti water spray o schiuma con sistema di rivelazione di tipo elettrico. Il trim di controllo è inoltre predisposto per il collegamento di una eventuale linea di rivelazione pneumatica per l'attivazione pneumatica della valvola a diluvio. Quando dotate dei relativi accessori (pressostati, campana idraulica) sono in grado di azionare gli allarmi all'attivazione del sistema.

In condizione di normale esercizio la valvola a diluvio elettro-pneumatica VDD/OF/EP è mantenuta chiusa dalla pressione dell'acqua nelle due camere di controllo. In caso di incendio l'apertura delle elettrovalvole installate sui due trim di controllo determina il deflusso dell'acqua dalle due camere di controllo e l'apertura della valvola sotto l'effetto della pressione della linea di alimentazione. L'apertura della valvola può essere operata inoltre manualmente utilizzando i relativi dispositivi di apertura manuale di emergenza sui trim di controllo. Ciascun trim è inoltre predisposto per la connessione di un eventuale comando manuale remoto sulla linea acqua e per la connessione di un eventuale comando aria remoto.

La valvola a diluvio elettro-pneumatica è consigliata per le applicazioni in cui è preferibile mantenere l'elettrovalvola sulla linea aria, come ad esempio quelle con acqua di mare o schiumogeno. La valvola a diluvio a doppia camera elettro-pneumatica Mod. VDD/OF/EP è disponibile in configurazione verticale o orizzontale. La valvola può essere riarmata dall'esterno senza necessità di essere aperta. I coperchi di ispezione consentono la manutenzione della valvola e la sostituzione delle membrane mantenendo la valvola montata sulla linea principale. La manutenzione può essere effettuata

Description



The valve Mod. VDD/OF/EP is a double chamber deluge valve with electro-pneumatic actuation and remote reset, available in diameter sizes from 3" (DN 80) to 8" (DN 200). The two priming chambers, each one provided with its own diaphragm and control trim, provide fully redundancy improving the safety availability of the system. The fully redundant control trim is assembled on a panel inside a closed cabinet, which can be connected to the relevant ports of the double chamber deluge valve through flexible or rigid tubing.

The deluge valves Mod. VDD/OF/EP are used to control water or foam/water flow in water spray or foam fire protection systems monitored by electric fire detection system. The control trim is also provided with a connection for an optional pneumatic heat detection line, for the pneumatic activation of the deluge valve. When equipped with the relevant accessories (pressure switch, water motor gong), they can provide actuation of fire alarms upon system operation.

In normal operating conditions the deluge valve electro-pneumatic VDD/OF/EP is held closed by the water pressure in the two control chambers. In fire conditions water is released from the control chambers through the opening of the two solenoid valves installed in the two control trims, and the valve latches open under the effect of the water supply pressure. The valve can be manually open through the emergency manual releases on the control trims. Each trim is also provided with a connection for an optional remote emergency manual release line and another connection for an optional remote air control line.

The deluge valve electro-pneumatic is recommended for those applications where it is preferable to keep the solenoid valve dry, such as those with sea water or foam concentrate. The double chamber deluge valve electro-pneumatic Mod. VDD/OF/EP is available in vertical or horizontal configuration. It is designed for external resetting, without opening the valve. The cover plate allows in-line maintenance and field replace of the diaphragm to be performed. The maintenance activities can be performed alternatively on one of the two control chambers and relevant control trim, keeping the fire protection system in service through the other chamber and the other trim. The materials of construction make it suitable for being used with sea water or water foam

Descrizione

alternativamente su una delle due camere e sul relativo trim di controllo, mantenendo il sistema a diluvio in servizio attraverso l'altra camera e l'altro trim. I materiali di costruzione rendono la valvola a diluvio idonea per l'impiego con acqua di mare o soluzioni schiumogene all'interno di ambienti industriali ad alta aggressività o in applicazioni offshore.



Description

solution within industrial harsh environments & offshore applications.



Caratteristiche principali della valvola a doppia camera Mod. VDD

Linea di bypass integrata

La valvola a diluvio brevettata modello VDD contiene al suo interno due camere di controllo distinte, ciascuna dotata di una propria membrana ed una linea di trim dedicata. Il sistema risulta così completamente ridondato, essendo i due trim controllati da due segnali di comando distinti.

Ciascuna camera di controllo garantisce un flusso di acqua analogo a quello di una valvola a diluvio classica di pari dimensione. In caso di mancata apertura di una camera di controllo, l'apertura dell'altra camera consente il passaggio di tutta la portata di acqua necessaria per il corretto funzionamento del sistema di spegnimento.

Sistema in grado di sopperire ad una doppia avaria

Un ponte idraulico fra le due linee di trim consente a ciascun trim di far defluire l'acqua contenuta in entrambe le camere di controllo della valvola. In caso di fallimento di uno dei due trim, l'apertura dell'altro trim ed il ponte idraulico fra i due consentono l'apertura di entrambe le camere di controllo.

La valvola a doppia camera risulta così in grado di sopperire ad una doppia avaria trim + camera di controllo.

Sistema di spegnimento sempre in servizio

La valvola a diluvio a doppia camera consente di effettuare la manutenzione ordinaria e straordinaria della valvola mantenendo sempre in funzione il sistema di spegnimento.

La valvola a diluvio a doppia camera è dotata infatti di due valvole di isolamento, una in ingresso e l'altra in uscita dalla valvola. In condizioni di normale funzionamento le due valvole sono posizionate longitudinalmente rispetto all'asse della valvola. In caso di manutenzione le due valvole possono essere ruotate di 90°, isolando la camera di controllo soggetta a manutenzione e mantenendo in funzione il sistema di spegnimento attraverso l'altra camera.

Un sistema di visualizzazione esterno e dei sensori di prossimità consentono di monitorare la posizione delle due valvole di isolamento interne, mentre un sistema di bloccaggio ne impedisce la rotazione accidentale o errata.

Main characteristics of the double chamber deluge valve Mod. VDD

Built-in bypass line

The patented deluge valve Model VDD has two priming chambers, each one provided with its own diaphragm and trim. The system is fully redundant, with the trims controlled by two independent automatic release systems.

Each priming chamber is designed to provide a waterway equal to the waterway provided by a classic deluge valve of the same diameter size.

In case of failure of one diaphragm, the opening of the other diaphragm provides the nominal design waterway for the correct operation of the fire suppression system.

Designed to overcome a double failure

A hydraulic bridge between the trims allows each trim to control both the diaphragms, releasing the water trapped in the two priming chambers. In case of failure of one trim, the other trim can open both the priming chambers through a hydraulic bridge. Thus the double chamber deluge valve can overcome a double failure trim + priming chamber.

Fire suppression system always in service

The double chamber deluge valve allows in-line maintenance to be performed, keeping the fire suppression system in service. In fact, the double chamber deluge valve has two built-in isolation valves located upstream and downstream of the diaphragms respectively.

During normal operation the isolation valves are in neutral position. During maintenance the isolation valves can be alternatively turned right or left to isolate the priming chamber which is to be maintained. Meanwhile, the other priming chamber remains on duty keeping the fire suppression system in service.

An external indicator and proximity sensors allow the position of the two valves to be monitored, and a locking system prevents their accidental or incorrect rotation.

Caratteristiche tecniche

Valvola:

- Materiali corpo a scelta tra:
 - Nichel Alluminio Bronzo ASTM B148 C95800
 - Bronzo EN 1982 – CC491K
- Materiale membrana: EPDM rinforzato
- Vite di serraggio coperchio: Acciaio inox AISI 316
- Flange disponibili ANSI B16.24 o UNI EN 1092-1
- Pressione di progetto ⁽¹⁾: 26 bar
- Pressione di test: 39 bar
- Temperatura dell'acqua: da 0,5°C a 90°C
- Minima pressione di esercizio: 1,38 bar (20 psi)
- Valvola di drenaggio principale a monte
- Predisposizione attacco linea di comando manuale remoto ⁽²⁾
- Predisposizione attacco linea di comando remoto aria ⁽²⁾
- Predisposizione attacco linea di rivelazione pneumatica ⁽³⁾

Finitura:

- Al naturale

Trim di controllo:

- Materiale cabinato a scelta tra:
 - Acciaio al carbonio zincato
 - Acciaio inox AISI 316
- Tubi / raccordi / valvole / drenaggio principale linea acqua:
 - Acciaio inox AISI 316/316L
 - Monel/Bronzo/Nichel Alluminio Bronzo
- Tubi, raccordi e valvole linea aria: Acciaio inox AISI 316/316L
- Accessori (valvola di sfiato manuale, attuatore pneumatico Normalmente Aperto NO):
 - Corpo Nichel Alluminio Bronzo, parti interne Acciaio inox
 - Corpo Acciaio inox, parti interne Nichel Alluminio Bronzo
 - Corpo Nichel Alluminio Bronzo, parti interne Monel

Prosegue alla pagina seguente / Continue to the next page

Technical characteristics

Valve:

- Body materials to be selected among:
 - Nickel Aluminum Bronze ASTM B148 C95800
 - Bronze EN 1982 – CC491K
- Diaphragm material: EPDM fabric reinforced
- Nuts and bolts material: Stainless steel AISI 316
- Flanges ANSI B16.24 or UNI EN 1092-1
- Design pressure ⁽¹⁾: 26 bar
- Test pressure: 39 bar
- Water temperature: from 0,5 °C to 90°C
- Minimum working pressure: 1.38 bar (20 psi)
- Main drain valve upstream
- Connection for remote emergency manual release line ⁽²⁾
- Connection for remote air control line ⁽²⁾
- Connection for pneumatic heat detection line ⁽³⁾

Finish:

- Natural

Control trim:

- Cabinet material to be selected among:
 - Galvanized carbon steel
 - Stainless steel AISI 316
- Tubing / fittings / valves / main drain valve for water line:
 - Stainless steel AISI 316/316L
 - Monel/Bronze/Nickel Aluminum Bronze
- Tubing, fittings and valves for air line: Stainless steel AISI 316/316L
- Accessories (manual vent valve, pneumatic actuator Normally Open NO):
 - Body Nickel Aluminum Bronze, internal parts Stainless steel
 - Body Stainless steel, internal parts Nickel Aluminum Bronze
 - Body Nickel Aluminum Bronze, internal parts Monel

Note:

- (1) La massima pressione di esercizio può essere limitata dalla flangiatura e dalla elettrovalvola selezionata
- (2) Per il comando manuale di emergenza vedi DS N.30.20.40.60.
- (3) Per i tappi fusibili per la linea di rivelazione pneumatica vedi DS N.30.20.50.70.

Notes:

- (1) The maximum working pressure could be limited by the selected flange type and solenoid valve
- (2) For emergency manual release see DS N.30.20.40.60.
- (3) For fusible plugs for pneumatic heat detection line see DS N.30.20.50.70.

Caratteristiche tecniche

Trim di controllo:

- Manometri acqua:
 - PGW101 – Acciaio inox, 0 – 300 psi / 0 – 2050 kPa, 4" x 1/4"
 - PG111 – Ottone, 0 – 600 psi, 2 1/2" x 1/4"
 - PG232 – Acciaio inox, 0 – 25 bar, 100 mm x 1/4"
 - PG262 – Acciaio inox/Monel, 0 – 25 bar, 100 mm x 1/4"
 - PG232 – Acciaio inox, 0 – 40 bar, 100 mm x 1/4"
 - PG262 – Acciaio inox/Monel, 0 – 40 bar, 100 mm x 1/4"
- Manometro aria:
 - PGW102 – Acciaio inox, 0 – 80 – 250 psi / 0 – 550 - 1750 kPa, 4" x 1/4"

Ciclo verniciatura standard SA per cabinato:

- Pulizia manuale con solvente
- Primer epossidico 60 µm
- Intermedio epossidico 30 µm
- Finitura poliuretano 30 µm
- Spessore totale film secco 120 µm +/-10%
- Colore rosso RAL 3000

Elettrovalvola:

- Modelli disponibili:
 - SV5404 – Ottone, 2/2 vie servo-attuata
 - SV238 – Acciaio inox, 2/2 vie servo-attuata
 - SVICO4 – Acciaio inox, 3/2 vie azionamento diretto
 - SVICO4 – Nichel Alluminio Bronzo, 3/2 vie azionamento diretto
- Alimentazione:
 - 24 Vcc
 - 110 Vcc
 - 110 Vca
- Funzionamento:
 - Normalmente Chiusa NC
 - Normalmente Aperta NO
- Area di installazione:
 - Zona sicura
 - ATEX Zona 1 e 2

Technical characteristics

Control trim:

- Water pressure gauges:
 - PGW101 - Stainless steel, 0 - 300 psi / 0 - 2050 kPa, 4" x 1/4"
 - PG111 – Brass, 0 – 600 psi, 2 1/2" x 1/4"
 - PG232 – Stainless steel, 0 – 25 bar, 100 mm x 1/4"
 - PG262 – Stainless steel/Monel, 0 – 25 bar, 100 mm x 1/4"
 - PG232 – Stainless steel, 0 – 40 bar, 100 mm x 1/4"
 - PG262 – Stainless steel/Monel, 0 – 40 bar, 100 mm x 1/4"
- Air pressure gauge:
 - PGW102 – Stainless steel, 0 – 80 – 250 psi / 0 – 550 - 1750 kPa, 4" x 1/4"

Painting system standard SA for cabinet:

- Manual cleaning solvent
- Epoxy primer 60 µm
- Epoxy Intermediate 30 µm
- Polyurethane finish 30 µm
- Total thickness 120 µm dry film +/-10%
- Colour red RAL 3000

Solenoid valve:

- Models available:
 - SV5404 – Brass, 2/2 way with servo-piston
 - SV238 – Stainless steel, 2/2 way with servo-piston
 - SVICO4 – Stainless steel, 3/2 way direct acting
 - SVICO4 – Nickel Aluminum Bronze, 3/2 way direct acting
- Voltage:
 - 24 Vdc
 - 110 Vdc
 - 110 Vac
- Operation:
 - Normally Closed NC
 - Normally Open NO
- Installation area:
 - Safe Area
 - ATEX Zone 1 and 2

Certificazioni

- Certificato di validazione SIL 3 emesso da Bureau Veritas
- In attesa di certificazione UL ⁽⁴⁾: pressione di esercizio da 1,38 bar (20 psi) a 20,7 bar (300 psi), dimensioni da 3" a 8"

Certifications

- Validation certificate for SIL 3 systems issued by Bureau Veritas
- Under application for the UL Listing ⁽⁴⁾ program: working pressure from 20 psi (1,38 bar) to 300 psi (20,7 bar), sizes from 3" to 8"

Note:

(4) Alcuni accessori e opzioni proposti potrebbero non essere coperti da certificazione UL. Per maggiori informazioni verificare i dettagli dell'approvazione o contattare SA Fire Protection

Notes:

(4) Some of the proposed accessories and options may not be covered by the UL Listing. For more details refer to the Approval details or contact SA Fire Protection

Parametri sicurezza funzionale

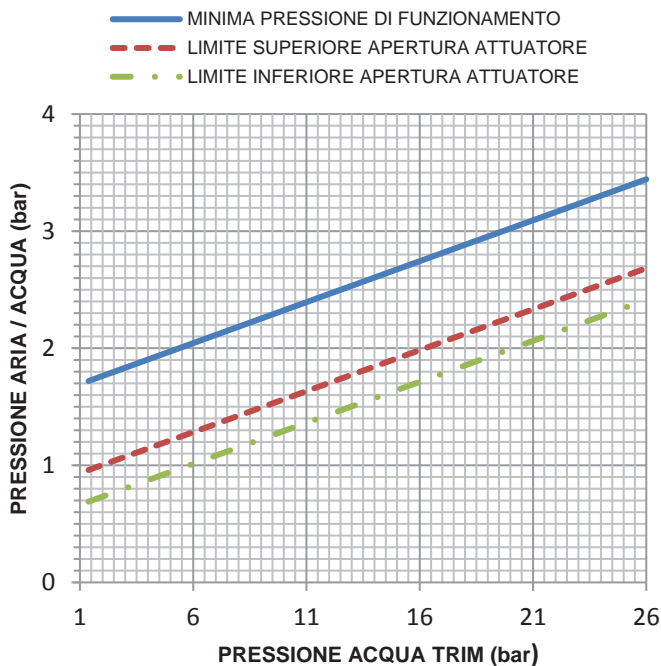
- λ_D : Rateo di guasto Dangerous
- λ_S : Rateo di guasto Safe
- λ_{DD} : Rateo di guasto Dangerous Detectable
- SFF: Safe Failure Fraction
- PFD_{avg} : Probabilità media di guasto su richiesta

Functional safety parameters

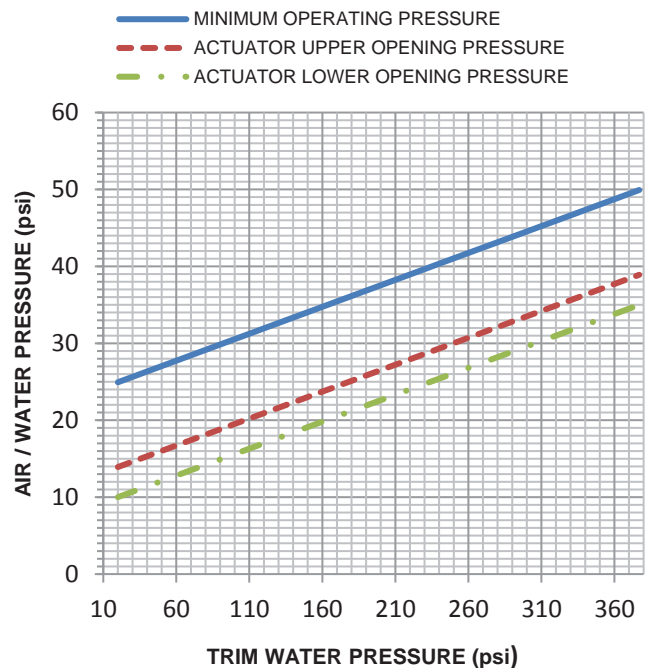
- λ_D : Rate of Dangerous failure
- λ_S : Rate of Safe failure
- λ_{DD} : Rate of Dangerous Detectable failure
- SFF: Safe Failure Fraction
- PFD_{avg} : Average Probability of Failure on Demand

Trim	λ_D	λ_S	λ_{DD}	SFF	PFD_{avg}
Diluvio ON/OFF elettro-pneumatica ⁽⁵⁾ Deluge ON/OFF electro-pneumatic ⁽⁵⁾	$1,133 \cdot 10^{-06}$	$2,646 \cdot 10^{-05}$	$1,104 \cdot 10^{-06}$	>99,9%	$5,91 \cdot 10^{-04}$

Dati operativi



Operational data



Opzioni

- Sensore di posizione per membrana
- Drenaggio principale aggiuntivo a valle
- Valvola di drenaggio automatico
- Sensori di prossimità per monitoraggio valvole isolamento interne
- Pressostato acqua linea di allarme
- Trasmettitore di pressione acqua linea di allarme
- Pressostato aria bassa pressione
- Trasmettitore di pressione aria
- Campana idraulica
- Tubi flessibili di collegamento valvola-cabinato (lunghezza massima 10 m)
- Finitura diversa dallo Standard SA
- Per ulteriori opzioni o versioni speciali contattare SA Fire Protection

Optional

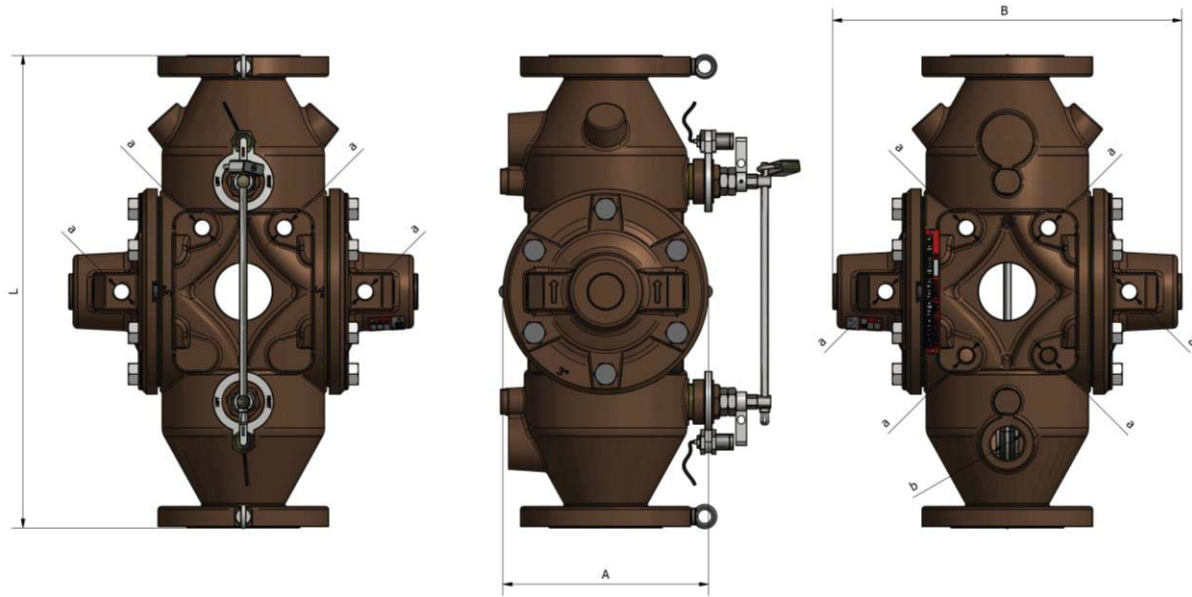
- Diaphragm position monitoring system
- Additional main drain valve downstream
- Automatic drain valve
- Proximity sensors for monitoring the built-in isolation valves
- Alarm line water pressure switch
- Alarm line water pressure transmitter
- Air line low pressure switch
- Air line low pressure transmitter
- Water motor gong
- Flexible tubing for connection valve-cabinet (maximum length 10 m)
- Finish different from Standard SA
- For additional options or special versions contact SA Fire Protection

Note:

(5) Alcuni accessori e opzioni proposti potrebbero non essere coperti da certificazione SIL. Per maggiori informazioni contattare SA Fire Protection.

Notes:

(5) Some of the proposed accessories and options may not be covered by the SIL Certificate. For more details contact SA Fire Protection.



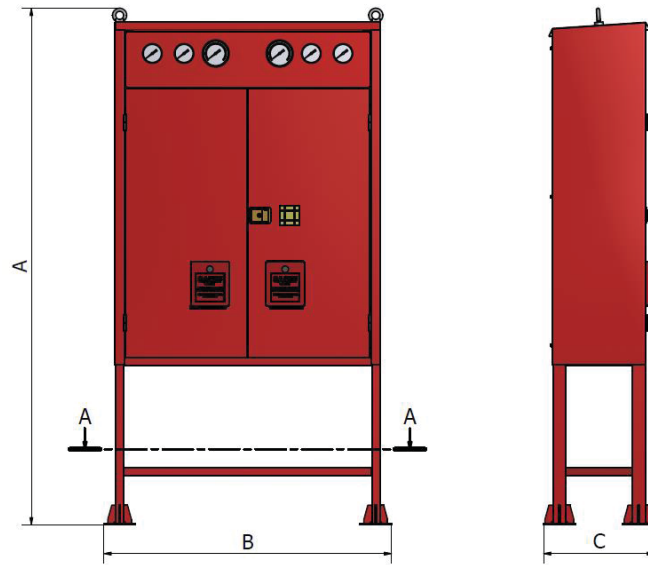
Ø Corpo Ø Body	Flangia Flange	L	A	B	a	b	Peso ⁽⁶⁾ Weight ⁽⁶⁾
		mm	mm	mm	Ø	Ø	kg
3" (DN 80)	ANSI 150 RF	529,6	230	391	1/2"	1 1/4"	60
	ANSI 150 FF	526,4					
	ANSI 300 RF	539,2					
	ANSI 300 FF	536					
	UNI EN 1092-1 PN16	522					
UNI EN 1092-1 PN25	530						
4" (DN 100)	ANSI 150 RF	569,6	260	432	1/2"	2"	85
	ANSI 150 FF	566,4					
	ANSI 300 RF	585,4					
	ANSI 300 FF	582,2					
	UNI EN 1092-1 PN16	566					
UNI EN 1092-1 PN25	574						
6" (DN 150)	ANSI 150 RF	744,8	325	629	1/2"	2"	155
	ANSI 150 FF	741,6					
	ANSI 300 RF	767					
	ANSI 300 FF	763,8					
	UNI EN 1092-1 PN16	742					
UNI EN 1092-1 PN25	754						
8" (DN 200)	ANSI 150 RF	959,2	400	772	1/2"	2"	240
	ANSI 150 FF	956					
	ANSI 300 RF	984,2					
	ANSI 300 FF	981					
	UNI EN 1092-1 PN16	954					
UNI EN 1092-1 PN25	966						

Note

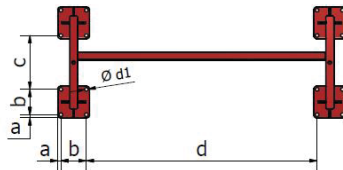
(6) Peso riferito alla valvola con flange ANSI 150 RF

Notes

(6) Weight refers to the valve with flanges ANSI 150 RF



SEZIONE / SECTION
A-A



A	B	C	a	b	c	d	Ø d1	Peso Weight
mm	mm	mm	mm	mm	mm	mm	mm	kg
1957	1090	420	12	96	204	874	13	170

Note

(7) Outline e dimensioni proposte si riferiscono alla versione UL con cabinato in acciaio al carbonio zincato. La configurazione del trim di controllo può variare in base agli accessori e alle opzioni selezionate.

Notes

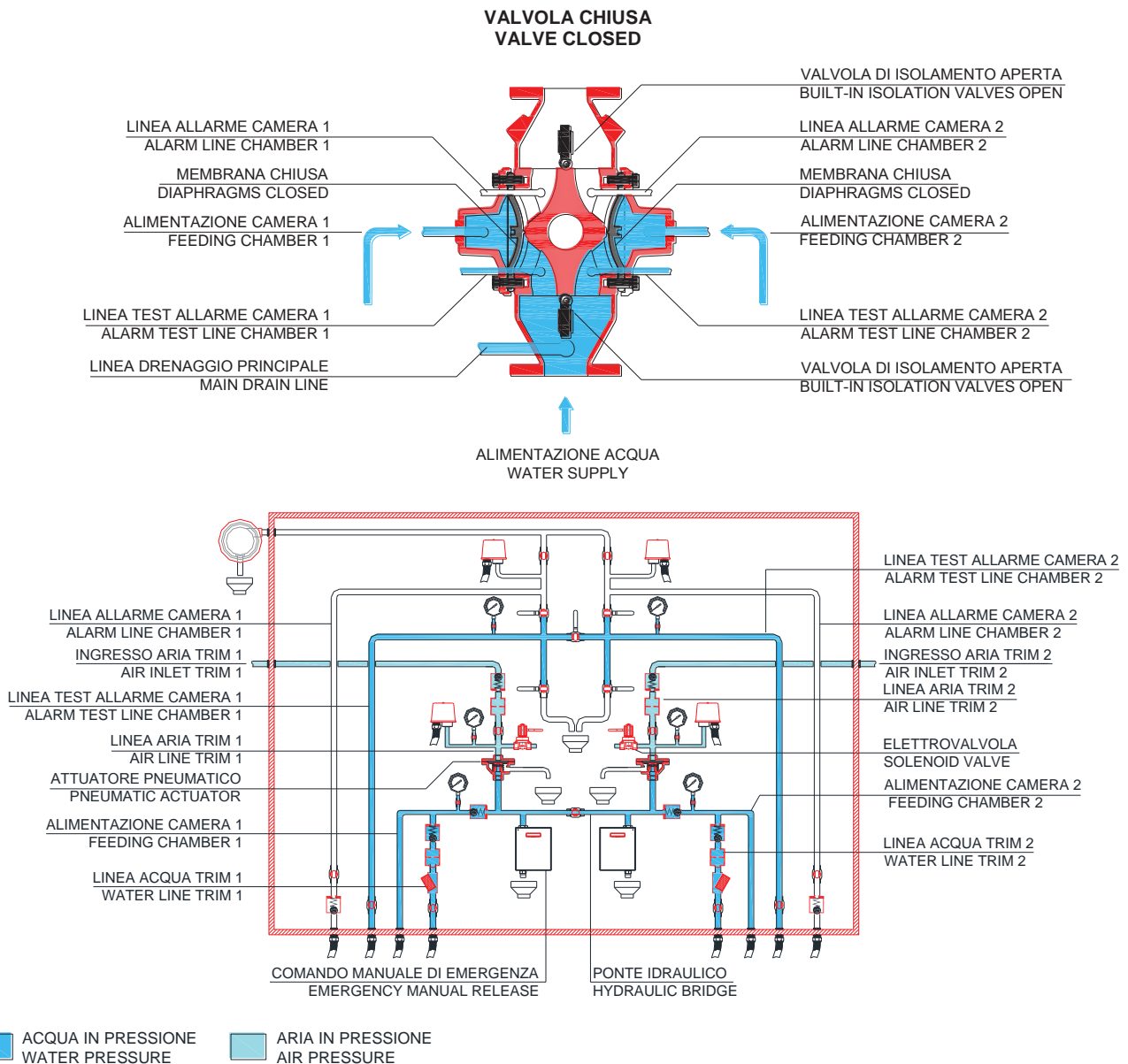
(7) Outline and dimensions refer to the UL version with galvanized carbon steel cabinet. The trim configuration may vary according to the accessories and the options selected.

Principio di funzionamento

In normale esercizio (valvola chiusa) le due camere di controllo sono mantenute in pressione dalla linea principale attraverso il proprio trim. Tale pressione fa aderire le membrane alle apposite sedi di contatto ricavate nel corpo valvola, garantendo la tenuta necessaria per mantenere la valvola chiusa. I due trim di controllo sono costituiti da una linea acqua, mantenuta chiusa dall'attuatore pneumatico e dal comando manuale di emergenza, e da una linea aria, mantenuta chiusa dalla elettrovalvola.

Principle of operation

In normal operating conditions (valve closed) the water is supplied to the priming chambers through the trims. The pressure of the water trapped in the priming chambers holds the diaphragms on the valve seats, keeping the valve closed. The two control trims comprise a water line held closed by the pneumatic actuator and the emergency manual release, and an air line held closed by the solenoid valve.



Principio di funzionamento

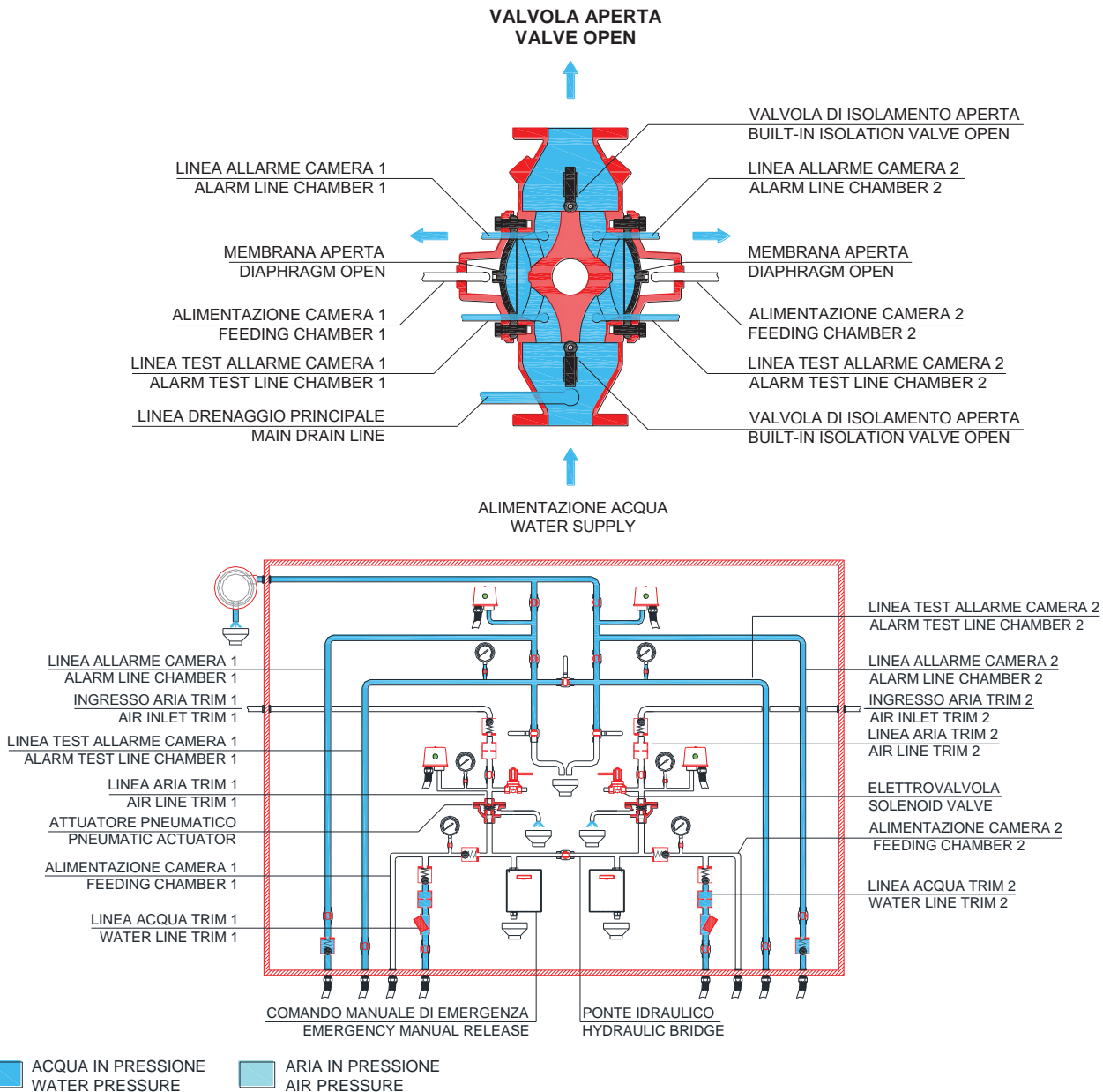
In caso di incendio (valvola aperta) l'apertura delle due elettrovalvole tramite comando remoto determinano lo svuotamento delle linee aria e la conseguente apertura dei due attuatori pneumatici, facendo defluire l'acqua nelle due camere di controllo. La pressione della linea principale risulta quindi in grado di separare le membrane dalle sedi di contatto sul corpo valvola, aprendo completamente la valvola e consentendo il flusso dell'acqua verso l'impianto di spegnimento e gli eventuali dispositivi di allarme. La valvola a diluvio può essere in alternativa aperta localmente tramite i comandi manuali di emergenza sulle linee acqua.

In ciascun trim un orifizio calibrato sulla linea aria riduce l'afflusso di aria rispetto al passaggio della elettrovalvola, consentendo l'apertura dell'attuatore pneumatico. Il riarmo manuale blocca l'afflusso di acqua alla camera di controllo, mantenendo la valvola a diluvio aperta.

Principle of operation

In fire conditions (valve open) the opening of the two solenoid valves via remote signals allows the discharge of the air lines and the subsequent opening of the two pneumatic actuators, releasing the pressure from the two control chambers. The water supply pressure in the inlet chamber forces the diaphragms off from seat, allowing water to flow into the system and the alarm devices. Alternatively, the deluge valve can be opened locally through the emergency manual releases on the water lines.

In each trim a restriction orifice in the air line reduce the air inlet compared to the internal passage of the solenoid valve, allowing the opening of the pneumatic actuator. The manual reset prevents water from entering the control chamber, keeping the deluge valve in open position.



Principio di funzionamento

In manutenzione (una camera isolata) le camere di controllo possono essere isolate e ispezionate alternativamente ruotando le valvole di isolamento interne, mantenendo il sistema in servizio attraverso l'altra camera.

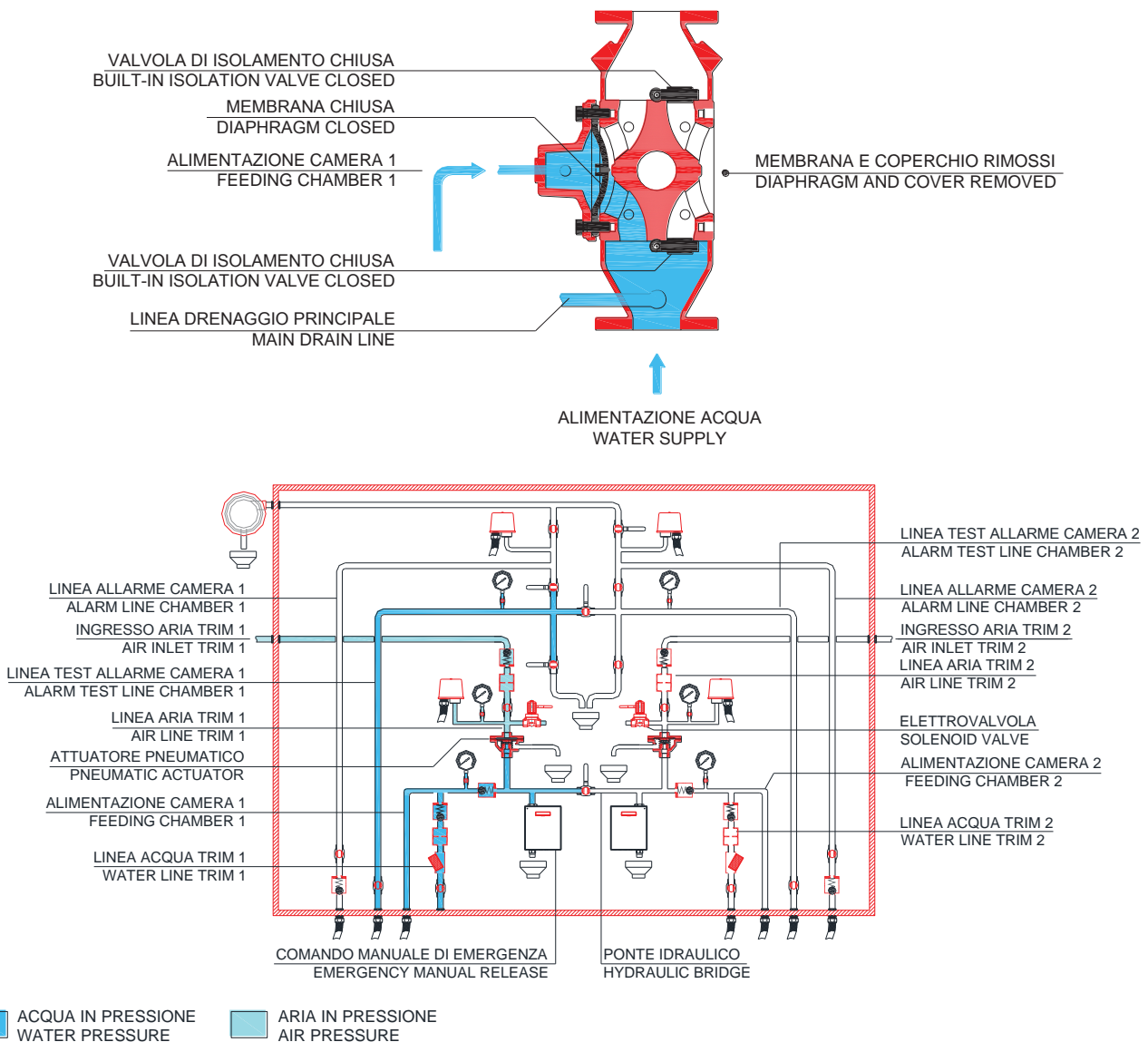
La chiusura del ponte idraulico consente di isolare il trim di controllo della camera in manutenzione ed effettuare le relative procedure di manutenzione, mantenendo il sistema antincendio in servizio attraverso l'altra camera e l'altro trim.

Principle of operation

During maintenance (one chamber isolated) the two priming chambers can be alternatively isolated and inspected turning the in-built isolation valves, keeping the fire protection system in service through the other chamber.

The control trim of the chamber under maintenance can be isolated closing the hydraulic bridge, allowing the maintenance procedures to be performed keeping the fire protection system in service through the other chamber and the other trim.

CAMERA 2 IN MANUTENZIONE E CAMERA 1 IN SERVIZIO CHAMBER 2 IN MAINTENANCE AND CHAMBER 1 IN SERVICE



Codice Identificativo
Identification Form

Mod. / / /

1
2
3
4
5
6
7
8
9
10
11
12

OPZIONI / OPTIONS

/

13
14
15
16
17
18
19
20
21
22
23
24

Quantità / Quantity

VALVOLA A DILUVIO A DOPPIA CAMERA ELETTRO-PNEUMATICA MOD. VDD/OF/EP
DOUBLE CHAMBER DELUGE VALVE ELECTRO-PNEUMATIC MOD. VDD/OF/EP

TIPOLOGIA TYPE	1	Tipologia Type	Valvola a diluvio a doppia camera elettro-pneumatica Double chamber deluge valve electro-pneumatic	VDD/OF/EP <input checked="" type="checkbox"/>	
VALVOLA VALVE	2	Materiale Material	Nichel Alluminio Bronzo ASTM B148 C95800 Nickel Aluminum Bronze ASTM B148 C95800	CBA10 <input type="checkbox"/>	Materiale standard Standard material
	3	Dimensione Size	3"	3 <input type="checkbox"/>	
			4"	4 <input type="checkbox"/>	
			6"	6 <input type="checkbox"/>	
			8"	8 <input type="checkbox"/>	
	4	Flangia Flange	ANSI 150 RF	150RF <input type="checkbox"/>	Tipologia standard Standard type
			ANSI 150 FF	150FF <input type="checkbox"/>	
			ANSI 300 RF	300RF <input type="checkbox"/>	
			ANSI 300 FF	300FF <input type="checkbox"/>	
			UNI EN PN16	PN16 <input type="checkbox"/>	
UNI EN PN25			PN25 <input type="checkbox"/>		
		Altro Other	F <input type="checkbox"/>	Specificare in Note la tipologia di flangia richiesta Specify in Notes the type of flange requested	
TRIM	5	Materiale cabinato Cabinet material	Acciaio al carbonio zincato Galvanized carbon steel	CTAC70 <input type="checkbox"/>	
			Acciaio inox AISI 316 Stainless steel AISI 316	CTAI72 <input type="checkbox"/>	
	6	Tubi / raccordi / valvole / drenaggio principale Tubing / fittings / valves / main drain valve	Acciaio inox AISI 316/316L Stainless Steel AISI 316/316L	TAI <input type="checkbox"/>	
Monel/Bronzo/Nichel Alluminio Bronzo Monel/Bronze/Nickel Aluminum Bronze			TMO <input type="checkbox"/>		

Prosegue alla pagina seguente / Continue to the next page

TRIM	7	Accessori (valvola di sfiato manuale, attuatore pneumatico NO) Accessories (manual vent valve, pneumatic actuator NO)	Corpo Nichel Alluminio Bronzo, parti interne Acciaio inox Body Nickel Aluminum Bronze, internal parts Stainless steel	ABA <input type="checkbox"/>		
			Corpo Acciaio inox, parti interne Nichel Alluminio Bronzo Body Stainless steel, internal parts Nickel Aluminum Bronze	AAI <input type="checkbox"/>		
			Corpo Nichel Alluminio Bronzo, parti interne Monel Body Nickel Aluminum Bronze, internal parts Monel	AMO <input type="checkbox"/>		
	8	Manometro acqua Pressure gauge water line	PGW101 – Acciaio inox, scala 0 – 300 psi PGW101 – Stainless steel, span 0 – 300 spi	PGW101 <input type="checkbox"/>		
			PG111 – Ottone, scala 0 – 600 psi. PG111 – Brass, span 0 – 600 psi	PG111 <input type="checkbox"/>		
			PG232 – Acciaio inox, scala 0 – 25 bar PG232 – Stainless steel, span 0 – 25 bar	PG23225 <input type="checkbox"/>		
			PG262 – Acciaio inox/Monel, scala 0 – 25 bar PG262 – Stainless steel/Monel, span 0 – 25 bar	PG26225 <input type="checkbox"/>		
PG232 – Acciaio inox, scala 0 – 40 bar PG232 – Stainless steel, span 0 – 40 bar			PG23240 <input type="checkbox"/>			
PG262 – Acciaio inox/Monel, scala 0 – 40 bar PG262 – Stainless steel/Monel, span 0 – 40 bar			PG26240 <input type="checkbox"/>			
ELETTROVALVOLA SOLENOID VALVE	9	Modello Modello	SV5404 – Ottone, 2/2 vie servo-attuata SV5404 – Brass, 2/2 way with servo-piston	SV5404 <input type="checkbox"/>		
			SV238 – Acciaio inox, 2/2 vie servo-attuata SV238 – Stainless steel, , 2/2 way with servo-piston	SV238 <input type="checkbox"/>		
			SVICO4 – Acciaio inox, 3/2 vie azionamento diretto SVICO4 – Stainless steel, 3/2 way direct acting	SVICO4AI <input type="checkbox"/>		
			SVICO4 – Nichel Alluminio Bronzo, 3/2 vie azionamento diretto SVICO4 – Nickel Aluminum Bronze, 3/2 way direct acting	SVICO4BA <input type="checkbox"/>		
	10	Alimentazione Voltage	24 Vcc 24 Vdc	24DC <input type="checkbox"/>		
			110 Vcc 110 Vdc	110DC <input type="checkbox"/>		
			110 Vca 110 Vac	110AC <input type="checkbox"/>		
			Altro Other	V <input type="checkbox"/>	Specificare in Note l'alimentazione richiesta Specify in Notes the voltage requested	
	11	Funzionamento Operation	Normalmente chiusa Normally closed	NC <input type="checkbox"/>		
			Normalmente aperta Normally open	NO <input type="checkbox"/>		
	12	Area di installazione Area of installation	Area sicura Safe area	S <input type="checkbox"/>	Non disponibile per Mod. SVICO4 Not available for Mod. SVICO4	
			ATEX – Zona 1 e 2 ATEX – Zone 1 e 2	A1 <input type="checkbox"/>		

Prosegue alla pagina seguente / Continue to the next page

OPZIONI OPTIONS	13	Limit switch	Sensore di posizione IP per membrana Diaphragm Position Monitoring System IP	DPMS <input type="checkbox"/>		
			Sensore di posizione ATEX per membrana Diaphragm Position Monitoring System ATEX	DPMSA <input type="checkbox"/>		
	14	Drenaggio principale aggiuntivo Additional main drain	Seconda valvola di drenaggio principale a valle Second main drain valve downstream	2MD <input type="checkbox"/>		
	15	Sensori di prossimità Proximity sensors	Sensori di prossimità per monitorare posizione valvole di isolamento interne Proximity sensors for monitoring the position of the in-built isolation valves	SP <input type="checkbox"/>		
			Sensori di prossimità ATEX per monitorare posizione valvole di isolamento interne Proximity sensors ATEX for monitoring the position of the in-built isolation valves	SPA <input type="checkbox"/>		
	16	Drenaggio automatico Automatic drain	Corpo Nichel Alluminio Bronzo, parti interne Acciaio inox Body Nickel Aluminum Bronze, internal parts Stainless steel	DABA <input type="checkbox"/>		
			Corpo Acciaio inox, parti interne Nichel Alluminio Bronzo Body Stainless steel, internal parts Nickel Aluminum Bronze	DAAI <input type="checkbox"/>		
			Corpo Nichel Alluminio Bronzo, parti interne Monel Body Nickel Aluminum Bronze, internal parts Monel	DAMO <input type="checkbox"/>		
	17	Pressostato acqua di allarme Alarm water pressure switch	Zona sicura Safe Area	PS10 <input type="checkbox"/>		
			ATEX – Zona 1 e 2 – Acciaio inox ATEX – Zone 1 e 2 – Stainless steel	PS9681H <input type="checkbox"/>		
			ATEX – Zona 1 e 2 – Acciaio inox/Monel ATEX – Zone 1 e 2 – Stainless steel/Monel	PSUE12H <input type="checkbox"/>		
	18	Trasmettitore di pressione acqua di allarme Alarm water pressure transmitter	ATEX – Zona 1 e 2 – Acciaio inox ATEX – Zone 1 e 2 – Stainless steel	PT3051HAI <input type="checkbox"/>		
			ATEX – Zona 1 e 2 – Monel ATEX – Zone 1 e 2 – Monel	PT3051HMO <input type="checkbox"/>		
	19	Pressostato aria Air pressure switch	Zona sicura Safe Area	PS40 <input type="checkbox"/>		
ATEX – Zona 1 e 2 ATEX – Zone 1 e 2			PS9681L <input type="checkbox"/>			
20	Trasmettitore di pressione aria Air line pressure transmitter	ATEX – Zona 1 e 2 – Acciaio inox ATEX – Zone 1 e 2 – Stainless steel	PT3051LAI <input type="checkbox"/>			
21	Campana idraulica Water gong	Campana idraulica di allarme Water motor alarm gong	WG <input type="checkbox"/>			
22	Set tubi flessibili Flexible tubing set	Tubi e raccordi in acciaio inox, lunghezza 5 m Tubing and fittings in stainless steel, length 5 m	TUFAI <input type="checkbox"/>			
		Tubi in poliammide rinforzato, raccordi in bronzo, lunghezza 5 m Tubing in reinforced polyamide, fittings in bronzes, length 5 m	TUFGO <input type="checkbox"/>			
23	Lunghezza tubi flessibili Length flexible tubing	Inserire lunghezza desiderata in metri Insert the required length in meter	(____) <input type="checkbox"/>		Compilare solo se selezionato set tubi flessibili e lunghezza diversa da 5 m. Lunghezza massima 10 m. To be filled only if flexible tubing set is selected and length is different from 5 m. Maximum length 10 m.	
24	Verniciatura Painting	Finitura diversa da standard SA Finishing different from SA standard	C <input type="checkbox"/>		Specificare in Note il ciclo di verniciatura richiesta per valvola e/o cabinato. Specify in Notes the painting procedure required.	

Prosegue alla pagina seguente / Continue to the next page

NOTE
NOTES

CLIENTE / CLIENT:	PROGETTO / PROJECT:	DOC. No.:	REV.:
EMESSO / ISSUED:	CONTROLLATO / CHECKED:	APPROVATO / APPROVED:	
DATA / DATE:	DATA / DATE:	DATA / DATE:	

ELETTROVALVOLA 2/2 VIE SERVO-ATTUATA – SV5404
SOLENOID VALVE 2/2 WAY WITH SERVO-PISTON – SV5404



Descrizione



Il Mod. SV5404 è una elettrovalvola servo-attuata 2/2 vie con corpo in ottone, utilizzata nei trim di controllo delle valvole a diluvio.

L'elettrovalvola Mod. SV5404 può essere utilizzata sia sulla linea acqua che sulla linea aria del trim, per pressioni di esercizio fino a 25 bar. Per garantire la completa apertura richiede una differenza di pressione minima di 1 bar.

L'elettrovalvola è disponibile in versione Normalmente Chiusa e Normalmente Aperta. Entrambe le versioni sono disponibili per installazione in zona sicura oppure ATEX zona 1 e 2.

Description



The Mod. SV5404 is a 2/2-way solenoid valve with servo-piston and brass body, used in the control trim of the deluge valves.

The solenoid valve Mod. SV5404 can be installed in both the water line and the air line of the trim, for working pressure up to 25 bar. A minimum differential pressure of 1 bar is required to fully open the valve.

The solenoid valve is available with circuit operation Normally Closed and Normally Open. Both versions are available for installation in safe area or ATEX zone 1 and 2.

Caratteristiche tecniche

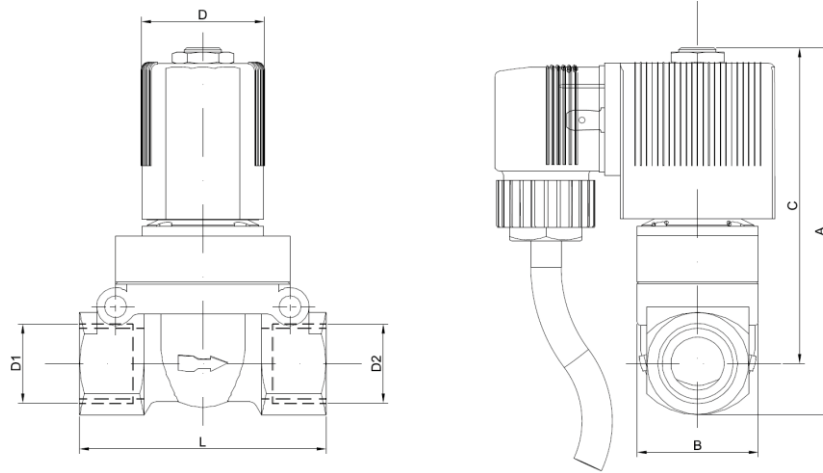
- Corpo valvola in ottone
 - Pistone in ottone
 - Otturatore in acciaio inossidabile 1.4105 (AISI 430F)
 - Tenuta in PTFE
 - O-rings in NBR
 - Molla in acciaio inossidabile 1.4310 (AISI 301)
 - Guida bobina in acciaio inossidabile 1.4303 (AISI 305)
 - Materiale bobina poliammide
 - Pressione di lavoro massima 25 bar
 - Temperatura fluido da -10°C a +90°C
 - Fluidi di lavoro acqua o aria
 - Massima temperatura ambiente +55°C
 - Pressione differenziale minima 1 bar
 - Diametro orifizio 12 mm
 - Kv: 2,0 (m³/h)
 - Alimentazione:
 - 24 Vcc
 - 110 Vcc
 - 110 Vca
 - Funzionamento:
 - Normalmente Chiuso NC
 - Normalmente Aperto NO
 - Area di installazione:
 - Zona sicura
 - ATEX II 2G Ex m II T4
 - Grado di protezione IP65
 - Connessione elettrica:
 - Zona sicura: connettore DIN EN 175301-803 Form A
 - ATEX: cavo integrato lunghezza 3 m, 3 x 0.75 mm²
 - Potenza assorbita:
 - CC: 8W
 - CA: Spunto 24 VA, a regime: 14 VA, 8 W
 - Certificato UL per uso antincendio
- Finitura:**
- Naturale

Technical characteristics

- Valve body brass
 - Piston brass
 - Plunger stainless steel 1.4105 (AISI 430F)
 - Seat PTFE
 - O-Rings NBR
 - Spring stainless steel 1.4310 (AISI 301)
 - Armature guide stainless steel 1.4303 (AISI 305)
 - Coil material polyamide
 - Maximum working pressure 25 bar
 - Fluid temperature -10°C to +90°C
 - Suitable fluids water or air
 - Max. ambient temperature +55°C
 - Minimum differential pressure 1 bar
 - Orifice 12 mm
 - Kv: 2,0 (m³/h)
 - Voltage:
 - 24 Vdc
 - 110 Vdc
 - 110 Vac
 - Operation:
 - Normally Closed NC
 - Normally Open NO
 - Installation area:
 - Safe zone
 - ATEX II 2G Ex m II T4
 - Protection degree IP65
 - Electrical connection:
 - Safe zone: cable plug DIN EN 175301-803 Form A
 - ATEX: moulded-on cable 3 m long, 3 x 0.75 mm²
 - Power consumption:
 - DC: 8W
 - AC: Inrush 24 VA, hold (hot coil): 14 VA, 8 W
 - UL Listed for Fire Protection service
- Finish:**
- Natural

Dimensioni e Pesì

Dimensions and Weights



L mm	A mm	B mm	C mm	D ⁽¹⁾ mm	Ingresso Inlet Port D1 NPT	Uscita Outlet Port D2 NPT	Peso ⁽²⁾ Weight ⁽²⁾ (kg)
65	96,5	32	83	32	1/2"	1/2"	0,64

Opzioni

- Per ulteriori opzioni o versioni speciali contattare SA Fire Protection

Optional

- For additional options or special versions contact SA Fire Protection

Note

- (1) Per versione ATEX D = 40 mm
- (2) Peso riferito alla versione per Area Sicura

Notes

- (1) For ATEX version D = 40 mm
- (2) Weight refers to the Safe Area version

Codice Identificativo
Identification Form

Mod. **SV5404** /

1
2
3
4

Quantità / Quantity

ELETTROVALVOLA 2/2 SERVO-ATTUATA SV5404 / SOLENOID VALVE 2/2 WAY WITH SERVO-PISTON SV5404

TIPOLOGIA TYPE	1	Tipologia Type	Elettrovalvola 2/2 servo-attuata Solenoid valve 2/2 way with servo-piston	SV5404 ■	
FUNZIONAMENTO OPERATION	2	Alimentazione Voltage	24 Vcc 24 Vdc	24DC <input type="checkbox"/>	Tipologia standard Standard type
			110 Vcc 110 Vdc	110DC <input type="checkbox"/>	
			110 Vca 110 Vac	110AC <input type="checkbox"/>	
			Altro Other	V <input type="checkbox"/>	Specificare in Note Specify in Notes the voltage requested
3	Funzionamento Operation	Normalmente chiusa Normally closed	NC <input type="checkbox"/>	Tipologia standard Standard type	
		Normalmente aperta Normally open	NO <input type="checkbox"/>		
4	Area di installazione Area of installation	Area sicura Safe area	S <input type="checkbox"/>	Tipologia standard Standard type	
		ATEX – Zona 1 e 2 ATEX – Zone 1 e 2	A1 <input type="checkbox"/>		

NOTE NOTES					

CLIENTE / CLIENT:	PROGETTO / PROJECT:	DOC. No.:	REV.:
EMESSO / ISSUED:	CONTROLLATO / CHECKED:	APPROVATO / APPROVED:	
DATA / DATE:	DATA / DATE:	DATA / DATE:	

I particolari di questo foglio tecnico, sebbene esatti al tempo della pubblicazione, potrebbero essere soggetti a modifiche senza preavviso. - The data shown on this data sheet, although correct at the time of publication, may be varied without notice.

ELETTROVALVOLA 3/2 VIE AD AZIONAMENTO DIRETTO – SVICO4
SOLENOID VALVE 3/2 WAYS DIRECT ACTING – SVICO4



Descrizione



Il Mod. SVICO4 è una elettrovalvola 3/2 vie ad azionamento diretto, utilizzata nei trim di controllo delle valvole a diluvio.

L'elettrovalvola Mod. SVICO4 può essere utilizzata sia sulla linea acqua che sulla linea aria del trim, per pressioni di esercizio fino a 20 bar.

L'elettrovalvola è disponibile in versione Normalmente Chiusa e Normalmente Aperta. Entrambe le versioni sono disponibili per installazione in zona sicura oppure ATEX zona 1 e 2.

Il corpo e la bobina interamente costruiti in acciaio inox o Alluminio Bronzo rendono l'elettrovalvola ideale per applicazioni in ambienti altamente corrosivi.

A richiesta l'elettrovalvola può essere dotata di leva di blocco automatica (ALL) che consente all'elettrovalvola di rimanere in posizione aperta anche rimuovendo il segnale elettrico, fino all'intervento dell'operatore.

Description



The Mod. SVICO4 is a 3/2 way direct acting solenoid valve with servo-piston, used in the control trim of the deluge valves.

The solenoid valve Mod. SVICO4 can be installed in both the water line and the air line of the trim, for working pressure up to 20 bar.

The solenoid valve is available with circuit operation Normally Closed and Normally Open. Both versions are available for installation in safe area or ATEX zone 1 and 2.

The valve body and the coil are made in stainless steel or Aluminum Bronze and are specifically designed for harsh environment.

The solenoid valve can be equipped on request with an automatic latching lever (ALL), which allows the solenoid valve to remain latched open also removing the electric signal, until the intervention of the operator.

Caratteristiche tecniche

- Materiale elettrovalvola (corpo e bobina) a scelta tra:
 - Acciaio inox
 - Alluminio Bronzo
- Sedi e tenute in HNBR
- Pressione di lavoro massima 20 bar
- Temperatura fluido da -20°C a +90°C
- Fluidi di lavoro acqua o aria
- Massima temperatura ambiente +60°C
- Connessione elettrica M20 x 1.5
- Kv: 3,6 (m³/h)
- Alimentazione:
 - 24 Vcc
 - 110 Vcc
 - 110 Vca
- Funzionamento:
 - Normalmente Chiuso NC
 - Normalmente Aperto NO
- Grado di protezione IP66
- ATEX II 2G Ex d IIC T6/T4
- Potenza assorbita:
 - 24Vcc: 15.1 W
 - 110 Vcc: 15.5 W
 - 110 Vca: 14.2 W
- Adatta per applicazioni fino a SIL3

Finitura:

- Naturale

Technical characteristics

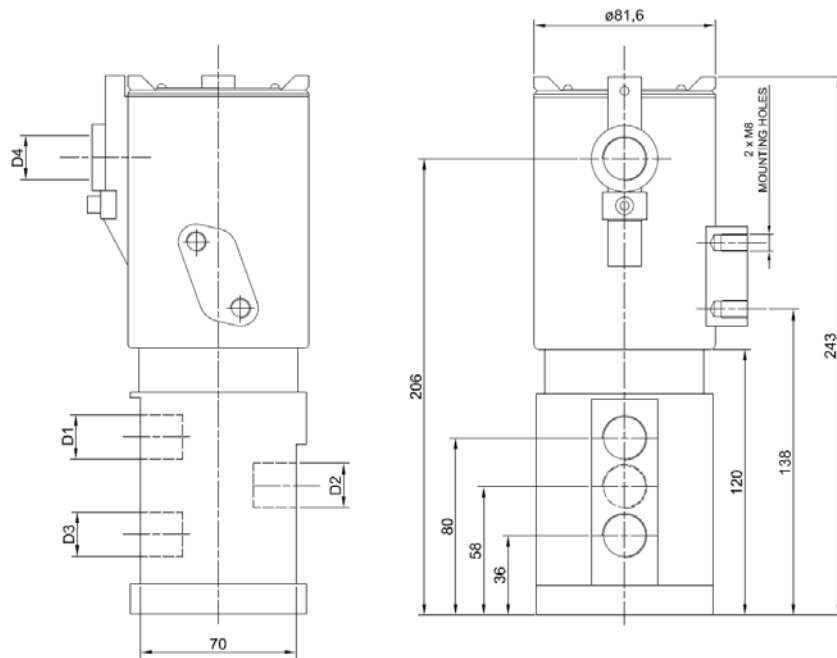
- Solenoid valve material (body and coil) to be selected among:
 - Stainless steel
 - Aluminum Bronze
- Seat and seals HNBR
- Maximum working pressure 20 bar
- Media temperature -20°C to +90°C
- Suitable fluids water or air
- Maximum ambient temperature +60°C
- Electrical connection M20 x 1.5 conduit thread
- Kv: 3,6 (m³/h)
- Voltage:
 - 24 Vdc
 - 110 Vdc
 - 110 Vac
- Operation:
 - Normally Closed NC
 - Normally Open NO
- Protection degree IP66
- ATEX II 2G Ex d IIC T6/T4
- Power consumption:
 - 24 Vdc: 15.1 W
 - 110 Vdc: 15.5 W
 - 110 Vac: 14.2 W
- Suitable for applications up to SIL3

Finish:

- Natural

Dimensioni e Pesì

Dimensions and Weights



Ingresso Inlet Port D1 NPT	Uscita Outlet Port D2 NPT	Sfiato Exhaust Port D3 NPT	Conduit Outlet Port D4	Peso Weight (kg)
1/2"	1/2"	1/2"	M20	7,5

Opzioni

- Riarmo manuale con leva di blocco automatico
- Per ulteriori opzioni o versioni speciali contattare SA Fire Protection

Options

- Manual reset with automatic latching lever
- For additional options or special versions contact SA Fire Protection

Codice Identificativo
Identification Form

OPZIONI/OPTIONS

Mod. **SVICO4** / /

1
2
3
4
5

Quantità / Quantity

ELETTROVALVOLA 3/2 VIE AD AZIONAMENTO DIRETTO SVICO4
SOLENOID VALVE 3/2 WAYS DIRECT ACTING SVICO4

TIPOLOGIA TYPE	1	Tipologia Type	Elettrovalvola 3/2 vie ad azionamento diretto Solenoid valve 3/2 ways direct acting	SVICO4 <input checked="" type="checkbox"/>	
	2	Materiale Material	Acciaio inox Stainless steel	AI <input type="checkbox"/>	
			Alluminio bronzo Aluminium bronze	BA <input type="checkbox"/>	
FUNZIONAMENTO OPERATION	3	Alimentazione Voltage	24 Vcc 24 Vdc	24DC <input type="checkbox"/>	Tipologia standard Standard type
			110 Vcc 110 Vdc	110DC <input type="checkbox"/>	
			110 Vca 110 Vac	110AC <input type="checkbox"/>	
			Altro Other	V <input type="checkbox"/>	Specificare in Note l'alimentazione richiesta Specify in Notes the voltage requested
4	Funzionamento Operation	Normalmente chiusa Normally closed	NC <input type="checkbox"/>	Tipologia standard Standard type	
		Normalmente aperta Normally open	NO <input type="checkbox"/>		
OPZIONI OPTIONS	5	Riarmo manuale Manual reset	Leva di blocco automatica Automatic latching lever	ALL <input type="checkbox"/>	Tipologia standard Standard type

NOTE NOTES	
---------------	--

CLIENTE / CLIENT:	PROGETTO / PROJECT:	DOC. No.:	REV.:
EMESSO / ISSUED:	CONTROLLATO / CHECKED:	APPROVATO / APPROVED:	
DATA / DATE:	DATA / DATE:	DATA / DATE:	

ELETTROVALVOLA 2/2 VIE SERVO-ATTUATA – SV238
SOLENOID VALVE 2/2 WAY WITH SERVO-PISTON – SV238



Descrizione



Il Mod. SV238 è una elettrovalvola servo-attuata 2/2 vie con corpo in acciaio inox utilizzata nei trim di controllo delle valvole a diluvio.
L'elettrovalvola Mod. SV238 può essere utilizzata sia sulla linea acqua che sulla linea aria del trim. Per garantire la completa apertura richiede una differenza di pressione minima di 0,35 bar.
L'elettrovalvola è disponibile in versione Normalmente Chiusa e Normalmente Aperta. La massima pressione di esercizio è 16 bar con funzionamento Normalmente Chiuso, 12 bar con funzionamento Normalmente Aperto. Entrambe le versioni sono disponibili per installazione in zona sicura oppure ATEX zona 1 e 2.

Description



The Mod. SV238 is a 2/2 way solenoid valve with servo-piston and stainless steel body, used in the control trim of the deluge valves.
The solenoid valve Mod. SV238 can be installed in both the water line and the air line of the trim. A minimum differential pressure of 0,35 bar is required to fully open the valve.
The solenoid valve is available with circuit operation Normally Closed and Normally Open. The maximum working pressure is 16 bar in Normally Closed Operation, and 12 bar in Normally Open operation- Both versions are available for installation in safe area or ATEX zone 1 and 2.

Caratteristiche tecniche

- Corpo valvola in acciaio inox AISI 316L
- Tenuta in EPDM
- Pressione di lavoro massima:
 - Normalmente Chiuso: 16 bar
 - Normalmente Aperto: 12 bar
- Temperatura fluido da -10°C a +130°C
- Fluidi di lavoro acqua o aria
- Massima temperatura ambiente +60°C
- Pressione differenziale minima 0,35 bar
- Diametro orifizio 13,5 mm
- Kv: 3,8 (m³/h)
- Alimentazione:
 - 24 Vcc
 - 110 Vcc
 - 110 Vca
- Circuito di funzionamento:
 - Normalmente chiuso NC
 - Normalmente aperto NO
- Area di installazione:
 - Zona sicura IP65
 - ATEX II 2G Ex e mb IIC T4
- Connessione elettrica:
 - Zona sicura: connettore EN 175301-803 Form A
 - ATEX: pressacavo M20 x 1,5
- Potenza assorbita:
 - CC: 6,9 W
 - CA: Spunto 12 VA, a regime: 6 VA, 4 W

Finitura:

- Naturale

Technical characteristics

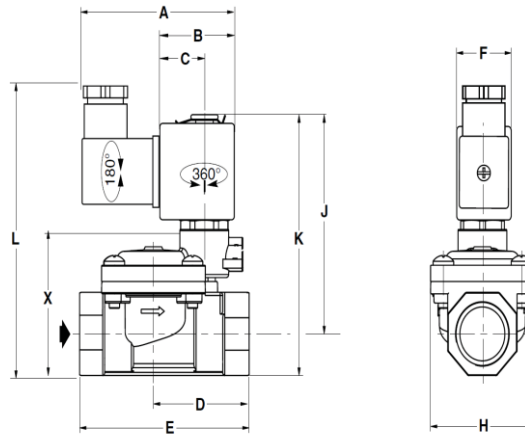
- Valve body stainless steel AISI 316L
- Seat EPDM
- Maximum working pressure:
 - Normally Closed: 16 bar
 - Normally Open: 12 bar
- Fluid temperature -10°C to +130°C
- Suitable fluids water or air
- Max. ambient temperature +60°C
- Minimum differential pressure 0,35 bar
- Orifice 13,5 mm
- Kv: 3,8 (m³/h)
- Voltage:
 - 24 Vdc
 - 110 Vdc
 - 110 Vac
- Circuit operation:
 - Normally closed NC
 - Normally open NO
- Installation area:
 - Safe zone IP65
 - ATEX II 2G Ex e mb IIC T4
- Electrical connection:
 - Safe zone: cable plug EN 175301-803 Form A
 - ATEX: cable gland M20 x 1,5
- Power consumption:
 - DC: 6,9 W
 - AC: Inrush 12 VA, hold (hot coil): 6 VA, 4 W

Finish:

- Natural

Dimensioni e Pesì ⁽¹⁾

Dimensions and Weights ⁽¹⁾



L mm	A ⁽²⁾ mm	B mm	C mm	D mm	E mm	F ⁽³⁾ mm	H mm	J mm	K mm	X mm	Ingresso Inlet	Uscita Outlet	Peso Weight (kg)
100	60,5	27,5	17	37	66	22	40	69	83	47	1/2"	1/2"	0,45

Opzioni

- Per ulteriori opzioni o versioni speciali contattare SA Fire Protection

Optional

- For additional options or special versions contact SA Fire Protection

Note

- (1) Dimensioni e pesi riferiti alla versione per area sicura.
- (2) Per versione ATEX: A = 98 mm.
- (3) Per versione ATEX: F = 37 mm.

Notes

- (1) Dimensions and weights referring to the Safe area version.
- (2) For ATEX version: A = 98 mm.
- (3) For ATEX version: F = 37 mm.

Codice Identificativo
Identification Form

Mod. SV238 /

1

2

3

4

Quantità / Quantity

ELETTROVALVOLA 2/2 SERVO-ATTUATA SV238 / SOLENOID VALVE 2/2 WAY WITH SERVO-PISTON – SV238

TIPOLOGIA TYPE	1	Tipologia Type	Elettrovalvola 2/2 servo-attuata Solenoid valve 2/2 way with servo-piston	SV238 ■	
FUNZIONAMENTO OPERATION	2	Alimentazione Voltage	24 Vcc 24 Vdc	24DC <input type="checkbox"/>	Tipologia standard Standard type
			110 Vcc 110 Vdc	110DC <input type="checkbox"/>	
			110 Vca 110 Vac	110AC <input type="checkbox"/>	
			Altro Other	V <input type="checkbox"/>	Specificare in Note Specify in Notes the voltage requested
3	Funzionamento Operation	Normalmente chiusa Normally closed	NC <input type="checkbox"/>	Tipologia standard Standard type	
		Normalmente aperta Normally open	NO <input type="checkbox"/>		
4	Area di installazione Area of installation	Area sicura Safe area	S <input type="checkbox"/>	Tipologia standard Standard type	
		ATEX – Zona 1 e 2 ATEX – Zone 1 e 2	A1 <input type="checkbox"/>		
NOTE NOTES					

CLIENTE / CLIENT:	PROGETTO / PROJECT:	DOC. No.:	REV.:
-------------------	---------------------	-----------	-------

EMESSO / ISSUED:	CONTROLLATO / CHECKED:	APPROVATO / APPROVED:
DATA / DATE:	DATA / DATE:	DATA / DATE:

PRESSOSTATO – PS PRESSURE SWITCH – PS



Descrizione



Il Mod. PS è un pressostato utilizzato sui trim di controllo delle valvole a diluvio per installazione in area sicura. Il modello PS è disponibile in due versioni, PS10 e PS40.

Il Mod. PS10 è installato sulla linea di allarme della valvola a diluvio per segnalare l'apertura della valvola ed il flusso di acqua verso il sistema di spegnimento.

Il Mod. PS40 è utilizzato nei trim di controllo elettro-pneumatici per segnalare un abbassamento della pressione nella linea aria rispetto alla pressione di normale esercizio.

Description



The Mod. PS is a pressure switch installed in the control trims of the deluge valves for safe area installation. The model PS is available in two versions, PS10 and PS40.

The Mod. PS10 is installed in the alarm line of the deluge valve to detect the opening of the deluge valve and the water flow to the fire protection system.

The Mod. PS40 is used in the electro-pneumatic control trims to detect the a decrease of the pressure in the air line from normal system pressure.

Caratteristiche tecniche

- Custodia in lega pressofusa
- Pressione massima di esercizio 20,7 bar
- Connessione processo con attacco maschio in Nylon
- Classe di protezione IP66
- No. 2 predisposizioni per collegamento pressacavo 1/2"
- No. 1 set di Contatti in scambio SPDT:
 - 10 A a 125/250 VAC
 - 2 A a 30 VDC
- Certificato UL

Finitura:

- Verniciatura a polvere colore rosso

Mod. PS10: pressostato alta pressione allarme

- Pressione intervento 1 bar in salita

Mod. PS40: pressostato bassa pressione linea aria

- Pressione intervento 0,7 bar in discesa

Technical characteristics

- Die-cast cover
- Maximum operating pressure 20,7 bar
- Pressure connection in Nylon
- Protection class IP66
- No. 2 knockouts provided for 1/2" conduit
- No. 1 set of SPDT switch contacts:
 - 10 A at 125/250 VAC
 - 2 A at 30 VDC
- UL Listed

Finish:

- Red powder painting

Mod. PS10: alarm high pressure switch

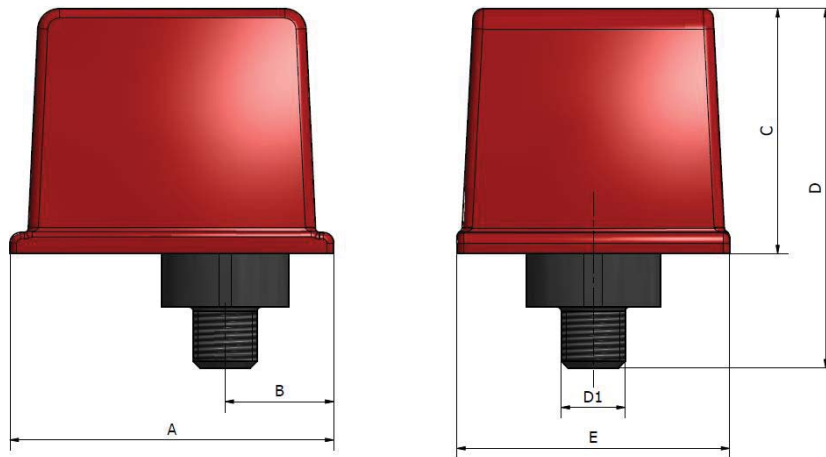
- Pressure set 1 bar on increase

Mod. PS40: air line low pressure switch

- Pressure set 0,7 bar on decrease

Dimensioni e Pesì

Dimensions and Weights



A mm	B mm	C mm	D mm	E mm	Connessione processo Process connection D1 NPT	Peso Weight (kg)
95,9	33	73	107,2	81,3	1/2"	0.5

Opzioni

- No. 2 set di contatti SPDT
- Per ulteriori opzioni o versioni speciali contattare SA Fire Protection

Optional

- No. 2 sets of SPDT contacts
- For additional options or special versions contact SA Fire Protection

Codice Identificativo
Identification Form

OPZIONI/OPTIONS

Mod.

/

1

2

Quantità / Quantity

PRESSOSTATO PS / PRESSURE SWITCH PS

TIPOLOGIA TYPE	1	Tipologia Type	Pressostato alta pressione allarme Alarm high pressure switch	PS10 <input type="checkbox"/>	
			Pressostato bassa pressione linea aria Air line low pressure switch	PS40 <input type="checkbox"/>	
OPZIONI OPTIONS	2	Set di contatti aggiuntivo Additional contact set	Due set di contatti SPDT Two sets of SPDT contacts	2SPDT <input type="checkbox"/>	
NOTE NOTES					

CLIENTE / CLIENT:	PROGETTO / PROJECT:	DOC. No.:	REV.:
EMESSO / ISSUED:	CONTROLLATO / CHECKED:	APPROVATO / APPROVED:	
DATA / DATE:	DATA / DATE:	DATA / DATE:	

I particolari di questo foglio tecnico, sebbene esatti al tempo della pubblicazione, potrebbero essere soggetti a modifiche senza preavviso. - The data shown on this data sheet, although correct at the time of publication, may be varied without notice.

PRESSOSTATO – PS9681
PRESSURE SWITCH – PS9681



Descrizione



Il Mod. PS9681 è un pressostato utilizzato sui trim di controllo delle valvole a diluvio.

Il pressostato Mod. PS9681 è utilizzato sulla linea di allarme della valvola a diluvio per segnalare l'apertura della valvola ed il flusso di acqua verso il sistema di spegnimento. Inoltre è utilizzato nei trim di controllo elettro-pneumatici per segnalare un abbassamento della pressione nella linea aria rispetto alla pressione di normale esercizio.

Il pressostato Mod. PS9681 ha corpo ed attacco al processo in acciaio inox ed è certificato ATEX per zona 1 e 2.

Description



The Mod. PS9681 is a pressure switch installed in the control trims of the deluge valves.

The Mod. PS9681 is installed in the alarm line of the deluge valve to detect the opening of the deluge valve and the water flow to the fire protection system. It is also used in the electro-pneumatic control trims to detect the a decrease of the pressure in the air line from normal system pressure.

The pressure switch Mod. PS9681 has body and process connection in stainless steel and it is certified ATEX for zone 1 and 2.

Caratteristiche tecniche

- Corpo in acciaio inox AISI 316
- Guarnizioni in Viton
- Pressione operativa massima 34,5 bar
- Modalità di funzionamento:
 - Pressostato alta pressione allarme – in aumento
 - Pressostato bassa pressione linea aria – in decremento
- Regolazione in fabbrica:
 - In aumento 1 bar (campo da 0,5 a 10,3 bar)
 - In decremento 0,7 bar (campo da 0,3 a 8,6 bar)
- Dispositivo di regolazione interno autobloccante:
- Pressione di prova 69 bar
- Contatto SPDT:
 - 11 A a 125/250 VAC
 - 5 A a 30 VDC
- Attacco processo 1/4" NPT Femmina
- Lunghezza cavi 300 mm
- Attacco elettrico 1/2" NPT Maschio
- Temperatura ambiente da -20°C a +40°C
- Accuratezza $\pm 2\%$ del fondo scala
- Certificato ATEX II 2 G Ex d IIC T6

Finitura:

- Naturale

Technical characteristics

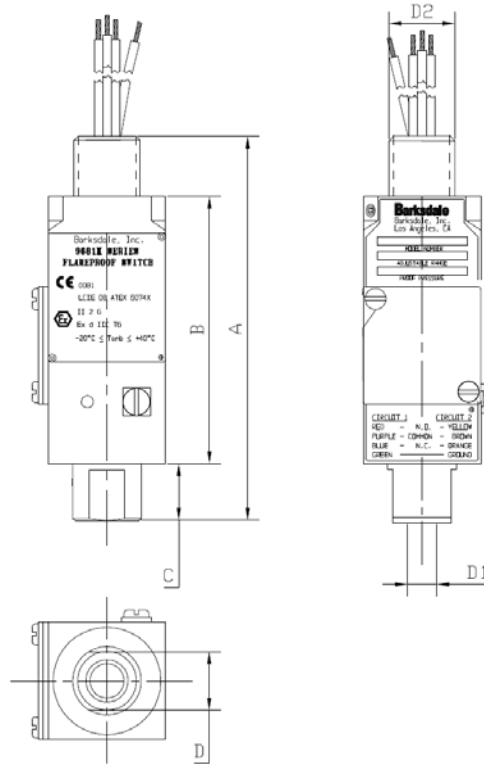
- Body in stainless steel AISI 316
- Seals in Viton
- Maximum working pressure 34,5 bar
- Factory adjustment:
 - Alarm high pressure switch – on increasing
 - Air line low pressure switch – on decreasing
- Factory adjustment:
 - Increasing 1 bar (range from 0,5 to 10,3 bar)
 - Decreasing 0,7 bar (range from 0,3 to 8,6 bar)
- Self locking internal adjustment wheel
- Test pressure 69 bar
- SPDT Switch:
 - 11 A at 125/250 VAC
 - 5 A at 30 VDC
- Process fitting: 1/4" NPT female
- Wire length 300 mm
- Electrical connection 1/2" NPT male
- Ambient temperature -20°C to +40°C
- Accuracy $\pm 2\%$ of full scale
- ATEX II 2 G Ex d IIC T6 Certificate

Finish:

- Natural

Dimensioni e Pesì

Dimensions and Weights



A mm	B mm	C mm	D mm	Attacco Processo Process Connection D1 NPT	Connessione Elettrica Electrical Connection D2 NPT	Peso Weight (kg)
125	86,6	18,3	19,05	1/4"	1/2"	0,84

Opzioni

- Contatti DPDT
- Lunghezza cavi extra
- Cassetta interfaccia Ex d
- Per ulteriori opzioni o versioni speciali contattare SA Fire Protection

Optional

- DPDT contacts
- Extra wire length
- Junction box Ex d
- For additional options or special versions contact SA Fire Protection

Codice Identificativo
Identification Form

OPZIONI/OPTIONS

Mod.

/

1
 2
 3
 4

Quantità / Quantity

PRESSOSTATO PS9681 / PRESSURE SWITCH PS9681

TIPOLOGIA TYPE	1	Tipologia Type	Pressostato alta pressione allarme Alarm high pressure switch	PS9681H <input type="checkbox"/>	
			Pressostato bassa pressione linea aria Air line low pressure switch	PS9681L <input type="checkbox"/>	
OPZIONI OPTIONS	2	Contatti DPDT DPDT contacts	Contatti DPDT DPDT contacts	DPDT <input type="checkbox"/>	
	3	Cavi Wires	Cavi più lunghi Extra wire length	(____) <input type="checkbox"/>	Specificare in Note la lunghezza desiderata. Specify in Notes the required length.
	4	Cassetta Junction Box	Cassetta giunzione Ex d Terminal JB Ex d	JB <input type="checkbox"/>	

NOTE NOTES	

CLIENTE / CLIENT:	PROGETTO / PROJECT:	DOC. No.:	REV.:
EMESSO / ISSUED:	CONTROLLATO / CHECKED:	APPROVATO / APPROVED:	
DATA / DATE:	DATA / DATE:	DATA / DATE:	

PRESSOSTATO – PSUE12
PRESSURE SWITCH – PSUE12



Descrizione



Il Mod. PSUE12 è un pressostato utilizzato sui trim di controllo delle valvole a diluvio.

Il pressostato Mod. PSUE12 è utilizzato sulla linea di allarme della valvola a diluvio per segnalare l'apertura della valvola ed il flusso di acqua verso il sistema di spegnimento. Il pressostato Mod. PSUE12 ha corpo ed attacco al processo in acciaio inox e membrana in Monel, ed è certificato ATEX per zona 1 e 2.

Description



The Mod. PSUE12 is a pressure switch installed in the control trims of the deluge valves.

The Mod. PSUE12 is installed in the alarm line of the deluge valve to detect the opening of the deluge valve and the water flow to the fire protection system. The pressure switch Mod. PSUE12 has body and process connection in stainless steel and diaphragm in Monel, and it is certified ATEX for zone 1 and 2.

Caratteristiche tecniche

- Corpo in acciaio inox AISI 316
- Membrana in Monel
- Pressione operativa massima 42 bar
- Modalità di funzionamento:
 - Pressostato alta pressione allarme – in aumento
- Regolazione in fabbrica:
 - In aumento 1 bar (campo da 0,2 a 1,7 bar)
- Pressione di prova 69 bar
- Contatto SPDT:
 - 5 A a 125/250 VAC
 - 5 A resistivo e 3 A induttivo a 28 VDC
- Attacco processo F. 1/4" NPT
- Lunghezza fili 1800 mm
- Attacco elettrico M. 1/2" NPT
- Temperatura ambiente da -50°C a +95°C
- Accuratezza $\pm 1,5\%$ del campo regolabile
- Certificato ATEX
 - II 2 G Ex d IIC T6
 - II 2 D Ex tb IIIC T85° Db

Finitura:

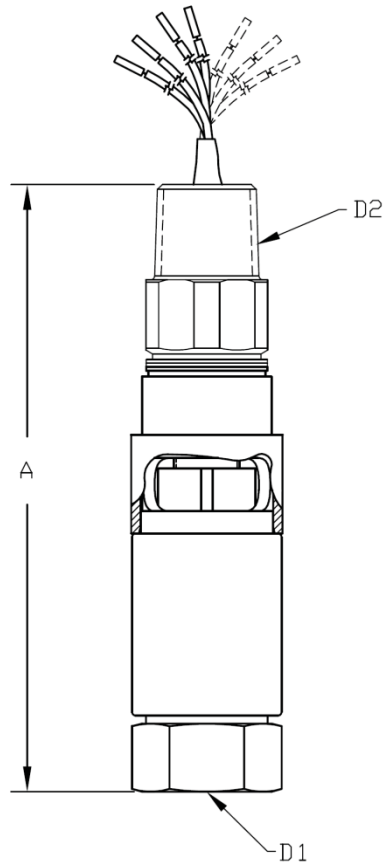
- Naturale

Technical characteristics

- Body in stainless steel AISI 316
- Diaphragm in Monel
- Maximum working pressure 42 bar
- Factory adjustment:
 - Alarm high pressure switch – on increasing
- Factory adjustment:
 - Increasing 1 bar (range from 0,2 to 1,7 bar)
- Test pressure 69 bar
- SPDT Switch:
 - 5 A at 125/250 VAC
 - 5 A resistive and 3 A inductive at 28 VDC
- Process fitting: F. 1/4" NPT
- Wire length 1800 mm
- Electrical connection M. 1/2" NPT
- Ambient temperature -50°C to +95°C
- Accuracy $\pm 1,5\%$ of of adjustable span
- ATEX Certificate:
 - II 2 G Ex d IIC T6
 - II 2 D Ex tb IIIC T85° Db

Finish:

- Natural



A mm	Attacco Processo Process Connection D1 NPT	Connessione Elettrica Electrical Connection D2 NPT	Peso Weight (kg)
124	1/4"	1/2"	0,34

Opzioni

- Contatti DPDT
- Lunghezza cavi extra
- Cassetta interfaccia Ex d
- Per ulteriori opzioni o versioni speciali contattare SA Fire Protection

Optional

- DPDT contacts
- Extra wire length
- Junction box Ex d
- For additional options or special versions contact SA Fire Protection

Codice Identificativo
Identification Form

OPZIONI/OPTIONS

Mod.

PSUE12H

1

2

3

4

Quantità / Quantity

PRESSOSTATO PSUE12 / PRESSURE SWITCH PSUE12

TIPOLOGIA TYPE	1	Tipologia Type	Pressostato alta pressione allarme Alarm high pressure switch	PSUE12H ■	
OPZIONI OPTIONS	2	Contatti DPDT DPDT contacts	Contatti DPDT DPDT contacts	DPDT <input type="checkbox"/>	
	3	Cavi Wires	Cavi più lunghi Extra wire length	(____) <input type="checkbox"/>	Specificare in Note la lunghezza desiderata. Specify in Notes the required length.
	4	Cassetta Junction Box	Cassetta giunzione Ex d Terminal JB Ex d	JB <input type="checkbox"/>	
NOTE NOTES					

CLIENTE / CLIENT:	PROGETTO / PROJECT:	DOC. No.:	REV.:
EMESSO / ISSUED:	CONTROLLATO / CHECKED:	APPROVATO / APPROVED:	
DATA / DATE:	DATA / DATE:	DATA / DATE:	

TRASMETTITORE DI PRESSIONE – PT3051
PRESSURE TRANSMITTER – PT3051



Descrizione



Il Mod. PT3051 è un trasmettitore di pressione utilizzato sui trim di controllo delle valvole a diluvio.

Il Mod. PT3051 è utilizzato per monitorare la pressione sulla linea di scarica del sistema a diluvio. Inoltre è utilizzato nei trim di controllo elettro-pneumatici per monitorare la pressione nella linea aria del trim di controllo.

Il trasmettitore di pressione Mod. PT3051 ha corpo in acciaio inox ed è disponibile con attacco al processo e membrana in acciaio inox oppure Monel. Il Mod. PT3051 è certificato ATEX per zona 1 e 2.

Description



The Mod. PT3051 is a pressure transmitter installed in the control trims of the deluge valves.

The Mod. PT3051 is used to monitor the water pressure in the discharge line of the deluge system. It is also used to monitor the air pressure in the air line of the electro-pneumatic control trims. The pressure transmitter Mod.

PT3051 has body in stainless steel and it is available with process connection and diaphragm in stainless steel or Monel. The Mod. PT3051 is certified ATEX for zone 1 and 2.

Caratteristiche tecniche

- Corpo in acciaio inox
- Connessione al processo e membrana:
 - Acciaio inox
 - Monel 400
- Range di pressione da -0.98 a +137,9 bar
- Pressione di progetto 310,3 bar
- Pressione di prova 689,5 bar
- Attacco processo 1/2"-14 NPT
- Attacco elettrico 1/2"-14 NPT
- Uscita 4-20 mA con segnale digitale basato su protocollo HART
- Temperatura ambiente da -40°C a +85°C
- Accuratezza $\pm 0,065\%$ del campo regolabile
- Certificato ATEX
 - II 2 G Ex d IIC T5
 - II 2 D Ex ta IIIC T50° Da

Finitura:

- Naturale

Technical characteristics

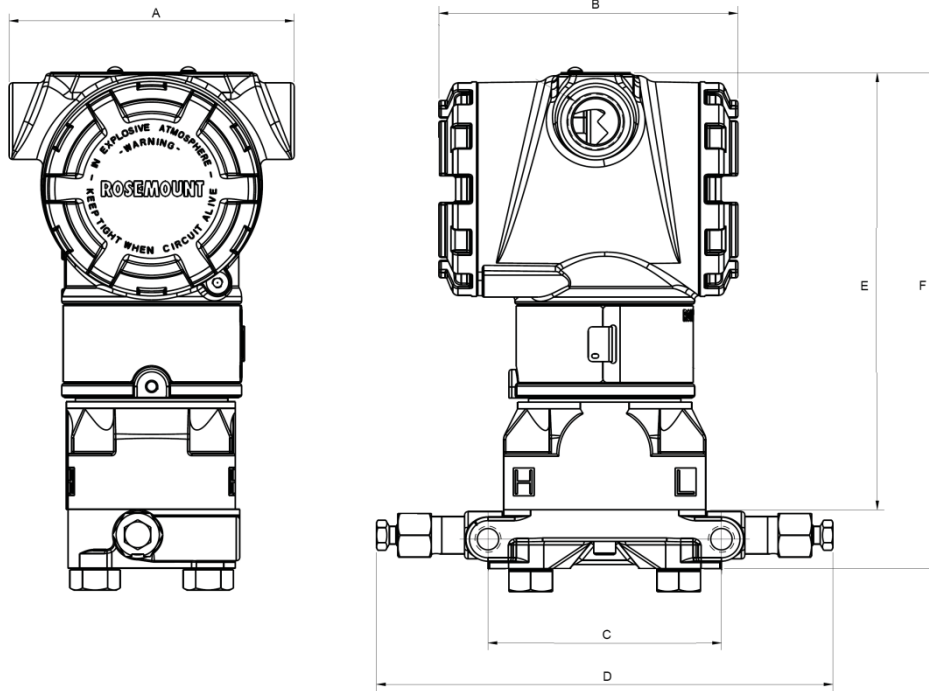
- Body in stainless steel
- Process connection and diaphragm:
 - Stainless steel
 - Monel 400
- Pressure range from -0.98 to + 137,9 bar
- Design pressure 310,3 bar
- Test pressure 689,5 bar
- Process connection 1/2"-14 NPT
- Electrical connection 1/2"-14 NPT
- 4-20 mA output with digital signal based on HART protocol
- Ambient temperature -40°C to +85°C
- Accuracy $\pm 0,065\%$ of of adjustable span
- ATEX Certificate:
 - II 2 G Ex d IIC T5
 - II 2 D Ex ta IIIC T50° Da

Finish:

- Natural

Dimensioni e Pesì

Dimensions and Weights



A mm	B mm	C mm	D mm	E mm	F mm	Peso Weight (kg)
104	109	85	166	159	181	2,7

Opzioni

- Display digitale
- Uscita Profibus
- Per ulteriori opzioni o versioni speciali contattare SA Fire Protection

Optional

- Digital display
- Output Profibus
- For additional options or special versions contact SA Fire Protection

**Codice Identificativo
Identification Form**

OPZIONI / OPTIONS

Mod. /

1
2
3
4

Quantità / Quantity

TRASMETTITORE DI PRESSIONE PT3051 / PRESSURE TRANSMITTER PT3051

TIPOLOGIA TYPE	Tipologia Type	Trasmettitore di pressione acqua di allarme Alarm water pressure transmitter	PT3051H <input type="checkbox"/>	
1		Trasmettitore di pressione linea aria Air line pressure transmitter	PT3051L <input type="checkbox"/>	
		Connessione al processo e membrana in acciaio inox Stainless steel process connection and diaphragm	AI <input type="checkbox"/>	
2	Materiale Material	Connessione al processo e membrana in Monel 400 Monel 400 process connection and diaphragm	MO <input type="checkbox"/>	Disponibile solo per trasmettitore di pressione acqua Mod. PT3051H. Available only for water pressure transmitter Mod. PT3051H
OPZIONI OPTIONS	3	Display	LCD display	D <input type="checkbox"/>
		4	Uscita Output	Profibus Protocollo PA Profibus PA Protocol

NOTE NOTES				

CLIENTE / CLIENT:	PROGETTO / PROJECT:	DOC. No.:	REV.:
EMESSO / ISSUED:	CONTROLLATO / CHECKED:	APPROVATO / APPROVED:	
DATA / DATE:	DATA / DATE:	DATA / DATE:	

I particolari di questo foglio tecnico, sebbene esatti al tempo della pubblicazione, potrebbero essere soggetti a modifiche senza preavviso. - The data shown on this data sheet, although correct at the time of publication, may be varied without notice.

MANOMETRO ACQUA E ARIA – PGW
PRESSURE GAUGE WATER AND AIR – PGW



Descrizione



Il Mod. PGW è un manometro installato sulla linea acqua e sulla linea aria del trim delle valvole a diluvio. Il manometro Mod. PGW ha cassa e collegamento al processo in acciaio inox, e parti interne in ottone. Il manometro per linea acqua ha fondo scala 300 psi / 2050 kPa, mentre il manometro per linea aria ha fondo scala 250 psi / 1750 kPa con ritardo.

Description



The Mod. PGW is a pressure gauge installed on the water line and air line of the control trim of the deluge valves.

The pressure gauge Mod. PGW has case and process connection in stainless steel, and internal parts in brass. The pressure gauge for water line has span 300 psi / 2050 kPa, while the pressure gauge for air line has span 250 psi / 1750 kPa with retard.

Caratteristiche tecniche

- Cassa in acciaio inox
- Dimensione cassa 4"
- Attacco al processo 1/4" NPT
- Attacco al processo in acciaio inox
- Movimento in ottone
- Finestra in vetro doppia resistenza
- Quadrante in ottone verniciato bianco
- Lancetta in ottone
- Pressione di esercizio:
 - Statico: 3/4 del fondo scala
 - Fluttuante: 2/3 del fondo scala
- Certificato UL

Scala

- **Mod. PGW101** - Linea acqua: 0 – 300 psi / 0 – 2050 kPa
- **Mod. PGW102** - Linea aria: 0 – 250 psi / 0 – 1750 kPa con ritardo

Finitura:

- Naturale

Technical characteristics

- Case in stainless steel
- Case size 4"
- Process connection 1/4" NPT
- Process connection in stainless steel
- Movement in brass
- Window in double strength glass
- Dial in white brass
- Pointer in brass
- Operating pressure:
 - Steady: 3/4 of span
 - Fluctuating: 2/3 of span
- UL Listed

Span

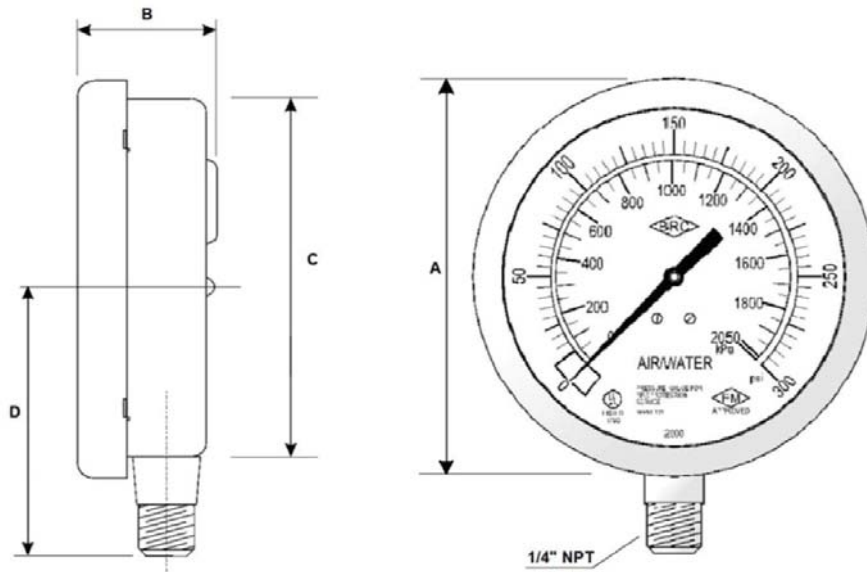
- **Mod. PGW101** - Water line: 0 – 300 psi / 0 – 2050 kPa
- **Mod. PGW102** - Air line: 0 – 250 psi / 0 – 1750 kPa with retard

Finish:

- Natural

Dimensioni e Pesì

Dimensions and Weights



A	B mm	C mm	D mm	Attacco processo Process connection NPT	Peso Weight kg
4"	33.3	90.5	66.7	1/4"	0,284

Opzioni

Optional

- Per ulteriori opzioni o versioni speciali contattare SA Fire Protection
- For additional options or special versions contact SA Fire Protection

Codice Identificativo
Identification Form

Mod.

1

Quantità / Quantity

MANOMETRO ACQUA E ARIA PGW / PRESSURE GAUGE WATER AND AIR PGW

TIPOLOGIA TYPE	1	Tipologia Type	Manometro acqua Mod. PGW101 Pressure gauge water Mod. PGW111	PGW101 <input type="checkbox"/>	
			Manometro aria Mod. PGW102 Pressure gauge air Mod. PGW102	PGW102 <input type="checkbox"/>	

NOTE NOTES	

CLIENTE / CLIENT:	PROGETTO / PROJECT:	DOC. No.:	REV. :
EMESSO / ISSUED:	CONTROLLATO / CHECKED:	APPROVATO / APPROVED:	
DATA / DATE:	DATA / DATE:	DATA / DATE:	

I particolari di questo foglio tecnico, sebbene esatti al tempo della pubblicazione, potrebbero essere soggetti a modifiche senza preavviso. - The data shown on this data sheet, although correct at the time of publication, may be varied without notice.

MANOMETRO ACQUA – PG2
PRESSURE GAUGE WATER – PG2



Descrizione



Il Mod. PG2 è un manometro installato sulla linea acqua del trim delle valvole a diluvio.
Il manometro Mod. PG2 ha cassa e collegamento al processo in acciaio inox. Le parti interne sono disponibili in acciaio inox oppure in Monel. Il manometro è disponibile con fondo scala 25 bar o 40 bar.

Description



The Mod. PG2 is a pressure gauge installed on the water line of the control trim of the deluge valves.
The pressure gauge Mod. PG2 has case and process connection in stainless steel. Internal parts are available in stainless steel or Monel. The pressure gauge is available with span 25 bar or 40 bar.

Caratteristiche tecniche

- Cassa in acciaio inox
- Dimensione cassa 100 mm
- Attacco al processo 1/4" NPT
- Attacco al processo in acciaio inox
- Movimento:
 - Acciaio inox
 - Monel
- Finestra in vetro multistrato di sicurezza
- Quadrante in alluminio verniciato bianco
- Lancetta in alluminio nero
- Scala:
 - 0 – 25 bar
 - 0 – 40 bar
- Pressione di esercizio:
 - Statico: 3/4 del fondo scala
 - Fluttuante: 2/3 del fondo scala
- Temperatura:
 - Ambiente: -40°C a +60°C
 - Fluido: fino a +60°C
- Classe accuratezza (ASME B40.100 Grade B) $\pm 3/2/3\%$ del fondo scala
- Scarico pressione di sicurezza sul retro

Finitura:

- Naturale

Technical characteristics

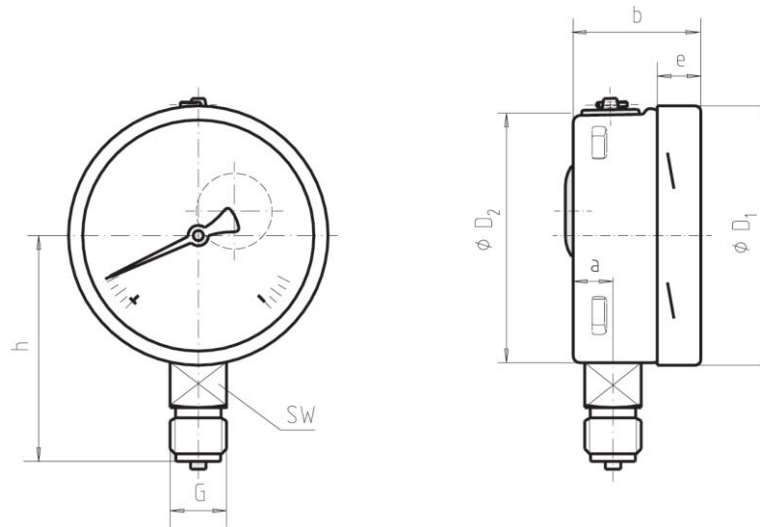
- Case in stainless steel
- Case size 100 mm
- Process connection 1/4" NPT
- Process connection in stainless steel
- Movement:
 - Stainless steel
 - Monel
- Window in laminated safety glass
- Dial in white aluminum
- Pointer in black aluminum
- Span:
 - 0 – 25 bar
 - 0 – 40 bar
- Operating pressure:
 - Steady: 3/4 of span
 - Fluctuating: 2/3 of span
- Operating temperature:
 - Ambient: -40°C to +60°C
 - Fluid: up to +60°C
- Accuracy class (ASME B40.100 Grade B) $\pm 3/2/3\%$ of span
- Pressure relief on the back of the case

Finish:

- Natural

Dimensioni e Pesì

Dimensions and Weights



a mm	b mm	Ø D ₁ mm	Ø D ₂ mm	e mm	h mm	SW mm	G NPT	Peso Weight (kg)
15.5	49.5	100	99	17.5	87	22	1/4"	0,6

Opzioni

Optional

- Per ulteriori opzioni o versioni speciali contattare SA Fire Protection
- For additional options or special versions contact SA Fire Protection

MANOMETRO ACQUA – PG111
PRESSURE GAUGE WATER – PG111



Descrizione



Il Mod. PG111 è un manometro installato sulla linea acqua del trim delle valvole a diluvio.
Il manometro Mod. PG111 ha cassa in ottone, collegamento al processo in lega di rame e fondo scala 600 psi (41,4 bar).

Description



The Mod. PG111 is a pressure gauge installed on the water line of the control trim of the deluge valves.
The pressure gauge Mod. PG111 has case in brass, process connection in copper alloy and span 600 psi (41,4 bar).

Caratteristiche tecniche

- Cassa in ottone
- Dimensione cassa 2 1/2"
- Attacco al processo 1/4" NPT
- Attacco al processo in lega di rame
- Movimento in lega di rame
- Finestra in policarbonato
- Quadrante in alluminio verniciato bianco
- Lancetta in alluminio nero
- Scala 0 – 600 psi (41,4 bar)
- Pressione di esercizio:
 - Statico: 3/4 del fondo scala
 - Fluttuante: 2/3 del fondo scala
- Temperatura:
 - Ambiente: -40°C a +60°C
 - Fluido: fino a +60°C
- Classe accuratezza (ASME B40.100 Grade B) \pm 3/2/3% del fondo scala
- Certificato UL

Finitura:

- Naturale

Technical characteristics

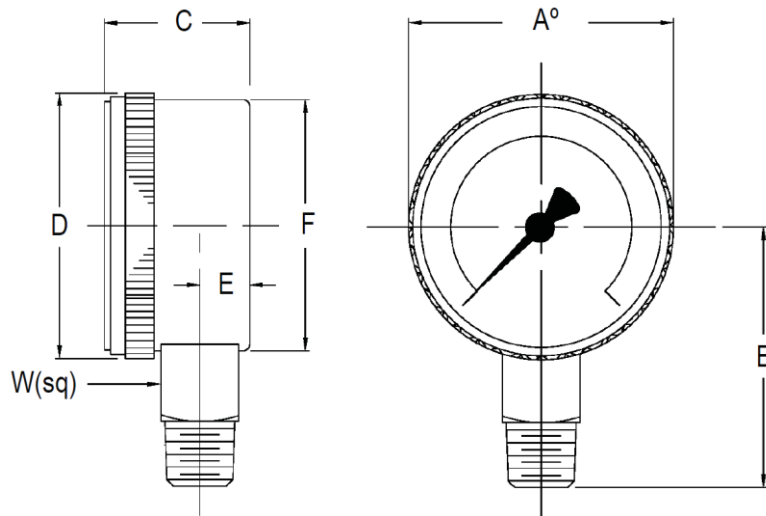
- Case in brass
- Case size 2 1/2"
- Process connection 1/4" NPT
- Process connection in copper alloy
- Movement in copper alloy
- Window in clear polycarbonate
- Dial in white aluminum
- Pointer in black aluminum
- Span 0 – 600 psi (41,4 bar)
- Operating pressure:
 - Static: 3/4 of span
 - Fluctuant: 2/3 of span
- Operating temperature:
 - Ambient: -40°C to +60°C
 - Media: up to +60°C
- Accuracy class (ASME B40.100 Grade B) \pm 3/2/3% of span
- UL Listed

Finish:

- Natural

Dimensioni e Pesì

Dimensions and Weights



A° mm	B mm	C mm	D mm	E mm	F mm	W mm	Attacco processo Process connection NPT	Peso Weight (kg)
68	60	31	72.4	12	67.6	14	1/4"	0.15

Opzioni

Optional

- Per ulteriori opzioni o versioni speciali contattare SA Fire Protection
- For additional options or special versions contact SA Fire Protection

Codice Identificativo
Identification Form

Mod.

PG111

1

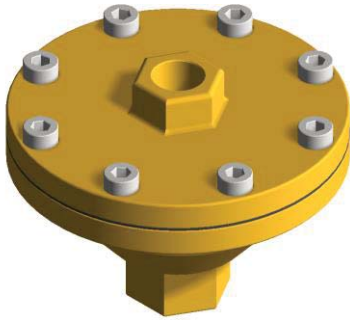
Quantità / Quantity

MANOMETRO ACQUA PG111 / PRESSURE GAUGE WATER PG111

TIPOLOGIA TYPE	1	Tipologia Type	Manometro acqua Pressure gauge water	PG111 ■	
NOTE NOTES					
CLIENTE / CLIENT:	PROGETTO / PROJECT:		DOC. No.:		REV. :
EMESSO / ISSUED: DATA / DATE:	CONTROLLATO / CHECKED: DATA / DATE:		APPROVATO / APPROVED: DATA / DATE:		

I particolari di questo foglio tecnico, sebbene esatti al tempo della pubblicazione, potrebbero essere soggetti a modifiche senza preavviso. - The data shown on this data sheet, although correct at the time of publication, may be varied without notice.

ATTUATORE PNEUMATICO/IDRAULICO – API
PNEUMATIC/HYDRAULIC ACTUATOR – API



Descrizione



L'attuatore pneumatico/idraulico Mod. API è un accessorio progettato per essere montato nei trim delle valvole a diluvio per de-pressurizzare la camera di controllo della valvola consentendone l'apertura.

L'attuatore pneumatico/idraulico è disponibile con funzionamento Normalmente Aperto e Normalmente Chiuso. Entrambe le modalità di funzionamento sono disponibili in tre costruzioni differenti: corpo in Nichel Alluminio Bronzo (NAB) con parti interne in acciaio inox (316), corpo in acciaio inox (316) con parti interne in Nichel Alluminio Bronzo (NAB) oppure corpo in Nichel Alluminio Bronzo (NAB) e parti interne in Monel 400.

Description



The pneumatic/hydraulic actuator Mod. API is an accessory designed for installation in the deluge valves trim in order to de-pressurize the priming chamber, allowing the opening of the deluge valve. The actuator is available in Normally Open and Normally Closed operation. Both the operation types are available in three different constructions: Nickel Aluminum Bronze (NAB) with internal parts in stainless steel (316), stainless steel (316) body with internal parts in Nickel Aluminum Bronze (NAB) or body in Nickel Aluminum Bronze with internal parts in Monel 400.

Caratteristiche tecniche

- Funzionamento:
 - Normalmente aperto NO
 - Normalmente chiuso NC
- Pressione massima d'esercizio 20,7 bar
- Pressione di progetto 20,7 bar
- Pressione di collaudo 29,6 bar

Finitura:

- Naturale

Costruzione in NAB/Acciaio inox

- Corpo Nichel Alluminio Bronzo EN 1982 – CC333G
- Asta in acciaio inox AISI 316
- Piattello in Nichel Alluminio Bronzo EN 1982 – CC333G
- Molla in acciaio inox AISI 316
- Guarnizione in EPDM telata
- Tenuta EPDM
- Viti a brugola TCEI in acciaio inox AISI 316

Costruzione in Acciaio Inox

- Corpo in acciaio inox AISI 316
- Asta in Nichel Alluminio Bronzo EN 1982 – CC333G
- Piattello in Nichel Alluminio Bronzo EN 1982 – CC333G
- Molla in acciaio inox AISI 316
- Guarnizioni in EPDM telata
- Tenuta EPDM
- Viti a brugola TCEI in acciaio inox AISI 316

Costruzione in NAB/Monel 400

- Corpo in Nichel Alluminio Bronzo EN 1982 – CC333G
- Asta in Monel 400
- Piattello in Monel 400
- Molla in Monel 400
- Guarnizioni in EPDM telata
- Tenuta EPDM
- Viti a brugola TCEI in acciaio inox AISI 316

Technical characteristics

- Operation:
 - Normally open NO
 - Normally closed NC
- Maximum working pressure 20,7 bar
- Design pressure 20,7 bar
- Test pressure 29,6 bar

Finish:

- Natural

Construction in NAB/Stainless steel

- Body in Nickel Aluminium Bronze EN 1982 – CC333G
- Rod in stainless steel AISI 316
- Plate in Nickel Aluminium Bronze EN 1982 – CC333G
- Spring in stainless steel AISI 316
- Gasket EPDM canvas
- EPDM Seal
- Allen screws in stainless steel AISI 316

Construction in Stainless steel

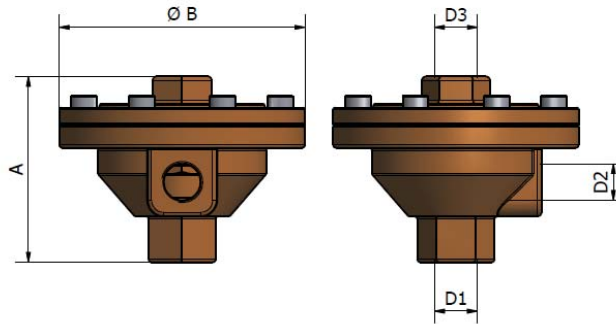
- Body in stainless steel AISI 316
- Rod in stainless steel AISI 316
- Plate in Nickel Aluminium Bronze EN 1982 – CC333G
- Spring in stainless steel AISI 316
- Gasket EPDM canvas
- EPDM Seal
- Allen screws in stainless steel AISI 316

Construction in NAB/Monel 400

- Body to in Nickel Aluminum Bronze EN 1982 – CC333G
- Rod in Monel 400
- Plate in Monel 400
- Spring in Monel 400
- Gasket EPDM canvas
- EPDM Seal
- Allen screws in stainless steel AISI 316

Dimensioni e Pesì

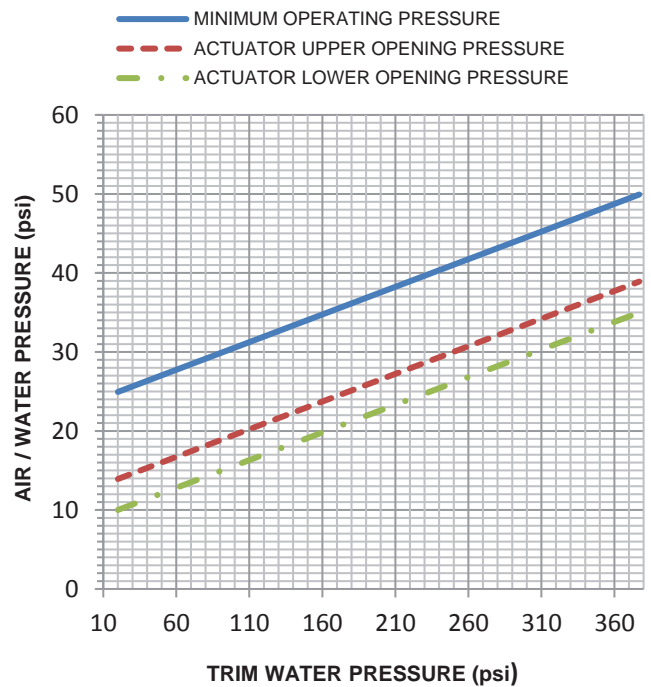
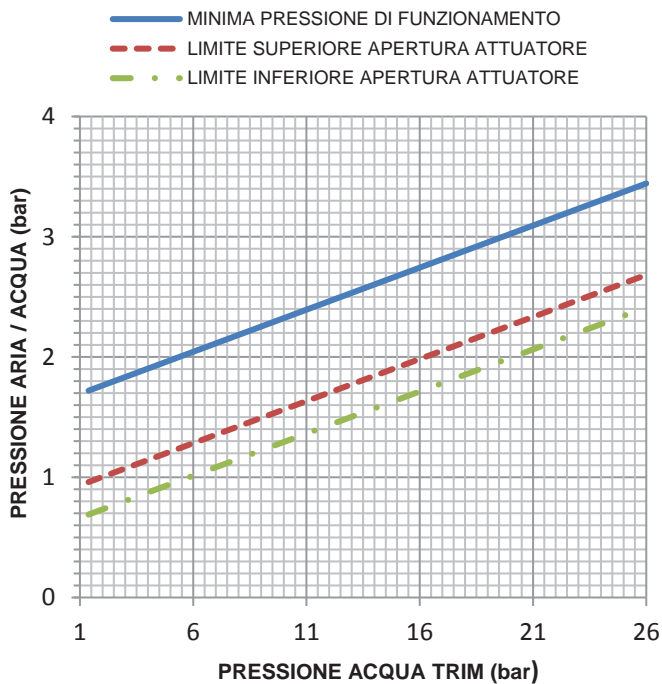
Dimensions and Weights



A mm	Ø B mm	Ingresso acqua trim Inlet trim water D1 NPT	Scarico acqua trim Outlet trim water D2 NPT	Ingresso fluido attuatore Inlet pilot fluid D3 NPT	Peso ⁽¹⁾ Weight ⁽¹⁾ (kg)
95	125	1/2"	1/2"	1/2"	2,74

Dati operativi

Operational data



Opzioni

Optional

- Massima pressione di esercizio 26 bar
- Per ulteriori opzioni o versioni speciali contattare SA Fire Protection

- Maximum working pressure 26 bar
- For additional options or special versions contact SA Fire Protection

Nota:

(1) Peso riferito al corpo in NAB/Acciaio inox

Note:

(1) Weight refers to the body in NAB/Stainless steel

Codice Identificativo
Identification Form

OPZIONI/OPTIONS

Mod. /

①
②
③

Quantità / Quantity

ATTUATORE PNEUMATICO/IDRAULICO API / PNEUMATIC/HYDRAULIC ACTUATOR API

TIPOLOGIA TYPE	①	Tipologia Type	Attuatore pneumatico/idraulico Normalmente Aperto Pneumatic/hydraulic actuator Normally Open	API1 <input type="checkbox"/>	Tipologia standard Standard type
			Attuatore pneumatico/idraulico Normalmente Chiuso Pneumatic/hydraulic actuator Normally Closed	API2 <input type="checkbox"/>	
	②	Materiale Material	NAB/Acciaio inox NAB/Stainless steel	BA <input type="checkbox"/>	Materiale standard Standard material
Acciaio inox Stainless steel			AI <input type="checkbox"/>		
NAB/Monel 400			MO <input type="checkbox"/>		
③	Pressione Pressure	Massima pressione di esercizio 26 bar Maximum working pressure 26 bar	26 <input type="checkbox"/>		

NOTE NOTES	

CLIENTE / CLIENT:	PROGETTO / PROJECT:	DOC. No.:	REV.:
EMESSO / ISSUED:	CONTROLLATO / CHECKED:	APPROVATO / APPROVED:	
DATA / DATE:	DATA / DATE:	DATA / DATE:	

VALVOLA SFIATO MANUALE – SM
MANUAL VENT VALVE – SM



Descrizione



Il Mod. SM è una valvola di sfiato manuale installata sul coperchio delle valvole a diluvio per scaricare l'aria presente nella camera di controllo durante la messa in servizio ed il riarmo della valvola a diluvio.

La valvola è disponibile in tre costruzioni differenti: Nichel Alluminio Bronzo (NAB) con parti interne in acciaio inox (316), corpo in acciaio inox (316) con parti interne in Nichel Alluminio Bronzo (NAB) oppure corpo in Nichel Alluminio Bronzo (NAB) e parti interne in Monel 400.

Description



The Mod. SM is a manual vent valve installed on the cover plate of the deluge valves in order to vent the air trapped in the priming chamber during the placing in service and the reset of the deluge valve.

The valve is available in three different constructions: Nickel Aluminum Bronze (NAB) with internal parts in stainless steel (316), stainless steel (316) body with internal parts in Nickel Aluminum Bronze (NAB) or body in Nickel Aluminum Bronze with internal parts in Monel 400.

Caratteristiche tecniche

- Pressione massima d'esercizio 20,7 bar
- Pressione di progetto 20,7 bar
- Pressione di collaudo 29,6 bar

Finitura:

- Naturale

Costruzione in NAB/Acciaio Inox

- Corpo Nichel Alluminio Bronzo EN 1982 – CC333G
- Asta in acciaio inox AISI 316
- Viti a brugola TCEI in acciaio inox AISI 316
- O-Ring in NBR

Costruzione in Acciaio Inox

- Corpo in AISI 316
- Asta in bronzo alluminio UNI EN 1982 – CC333G, ASTM B148
- Viti a brugola TCEI in acciaio inox AISI 316
- O-Ring in NBR

Costruzione in NAB/Monel 400

- Corpo in Nichel Alluminio Bronzo EN 1982 – CC333G
- Asta in Monel 400
- Viti a brugola TCEI in acciaio inox AISI 316
- O-Ring in NBR

Technical characteristics

- Maximum working pressure 20,7 bar
- Design pressure 20,7 bar
- Test pressure 29,6 bar

Finish:

- Natural

Construction in NAB/Stainless Steel

- Body in Nickel Aluminium Bronze EN 1982 – CC333G
- Stem in stainless steel AISI 316
- Allen screws TCEI in Stainless Steel – AISI 316
- O-Ring in NBR

Construction in Stainless Steel

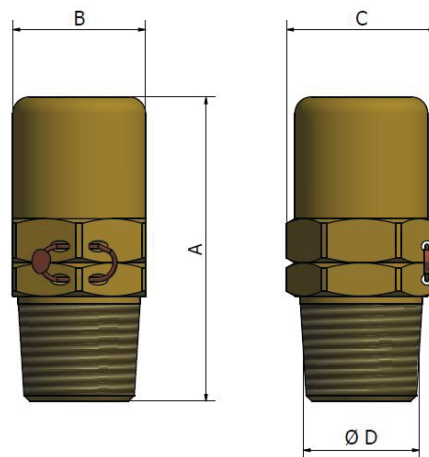
- Body in stainless steel AISI 316
- Stem in Aluminium bronze UNI EN 1982 – CC333G, ASTM B148
- Allen screws TCEI in stainless steel AISI 316
- O-Ring in NBR

Construction in NAB/Monel 400

- Body in Nickel Aluminium Bronze EN 1982 – CC333G
- Stem in Monel 400
- Allen screws TCEI in stainless steel AISI 316
- O-Ring in NBR

Dimensioni e Pesì

Dimensions and Weights



A mm	B mm	C mm	Ø D NPT	Peso Weight (kg)
55	24	27	1/2"	0,17

Opzioni

- Pressione di esercizio 26 bar
- Per ulteriori opzioni o versioni speciali contattare SA Fire Protection

Optional

- Working pressure 26 bar
- For additional options or special versions contact SA Fire Protection

Codice Identificativo
Identification Form

OPZIONI/OPTIONS

Mod. /

①
②
③

Quantità / Quantity

VALVOLA DI SFIATO MANUALE SM / MANUAL VENT VALVE SM

TIPOLOGIA TYPE	①	Tipologia Type	Valvola di sfiato manuale Manual vent valve	SM <input checked="" type="checkbox"/>	Tipologia standard Standard type
	②	Materiale Material	NAB/Acciaio inox NAB/Stainless steel		BA <input type="checkbox"/>
Acciaio inox Stainless steel				AI <input type="checkbox"/>	
NAB/Monel 400				MO <input type="checkbox"/>	
OPZIONI OPTIONS	③	Pressione Pressure	Massima pressione di esercizio 26 bar Maximum working pressure 26 bar	26 <input type="checkbox"/>	

NOTE NOTES	

CLIENTE / CLIENT:	PROGETTO / PROJECT:	DOC. No.:	REV.:
EMESSO / ISSUED:	CONTROLLATO / CHECKED:	APPROVATO / APPROVED:	
DATA / DATE:	DATA / DATE:	DATA / DATE:	

RIARMO MANUALE – MR
MANUAL RESET – MR



Descrizione



Il Mod. MR è un dispositivo di riarmo manuale installato nel trim di controllo delle valvole a diluvio. Il riarmo manuale è utilizzato per mettere in servizio e riarmare la valvola a diluvio, premendo l'apposito pulsante.

Il riarmo manuale è disponibile in tre costruzioni differenti: Nichel Alluminio Bronzo (NAB) con parti interne in acciaio inox (316), corpo in acciaio inox (316) con parti interne in Nichel Alluminio Bronzo (NAB) oppure in Nichel Alluminio Bronzo (NAB) e parti interne in Monel 400.

Description



The Mod. MR is a manual reset device installed in the control trims of the deluge valves. The manual reset is used to place in service and reset the deluge valve, pushing the relevant knob.

The manual reset is available in three different constructions: Nickel Aluminum Bronze (NAB) with internal parts in stainless steel (316), stainless steel (316) body in stainless steel with internal parts in Nickel Aluminum Bronze or body in Nickel Aluminum Bronze with internal parts in Monel 400.

Caratteristiche tecniche

- Pressione massima d'esercizio 20,7 bar
- Pressione di progetto 20,7 bar
- Pressione di collaudo 29,6 bar

Finitura:

- Naturale

Costruzione in NAB/Acciaio inox

- Corpo in Nichel Alluminio Bronzo EN 1982 – CC333G
- Stelo di comando in acciaio inox AISI 316
- Pomello in Nichel Alluminio Bronzo UNI EN 1982 – CC333G
- Porta stelo in Nichel Alluminio Bronzo UNI EN 1982 – CC333G
- Sfere in EPDM
- Molla in acciaio inox AISI 316
- Guarnizioni in EPDM

Costruzione in Acciaio inox

- Corpo in acciaio inox AISI 316
- Stelo in Nichel Alluminio Bronzo EN 1982 – CC333G
- Pomello in acciaio inox AISI 316
- Porta stelo in acciaio inox AISI 316
- Sfere in EPDM
- Molla in acciaio inox AISI 316
- Guarnizioni in EPDM

Costruzione in NAB/Monel 400

- Corpo in Nichel Alluminio Bronzo EN 1982 – CC333G
- Stelo in Monel 400
- Pomello in Nichel Alluminio Bronzo EN 1982 – CC333G
- Porta stelo in Nichel Alluminio Bronzo EN 1982 – CC333G
- Sfere in EPDM
- Molla in Monel 400
- Guarnizioni in EPDM

Technical characteristics

- Maximum working pressure 20,7 bar
- Design pressure 20,7 bar
- Test pressure 29,6 bar

Finish:

- Natural

Construction in NAB/Stainless steel

- Body in Nickel Aluminium Bronze EN 1982 – CC333G
- Stem in stainless steel AISI 316
- Knob in Nickel Aluminium Bronze EN 1982 – CC333G
- Stem guide in Nickel Aluminium Bronze EN 1982 – CC333G
- Balls in EPDM
- Spring in stainless steel AISI 316
- EPDM seal

Construction in Stainless steel

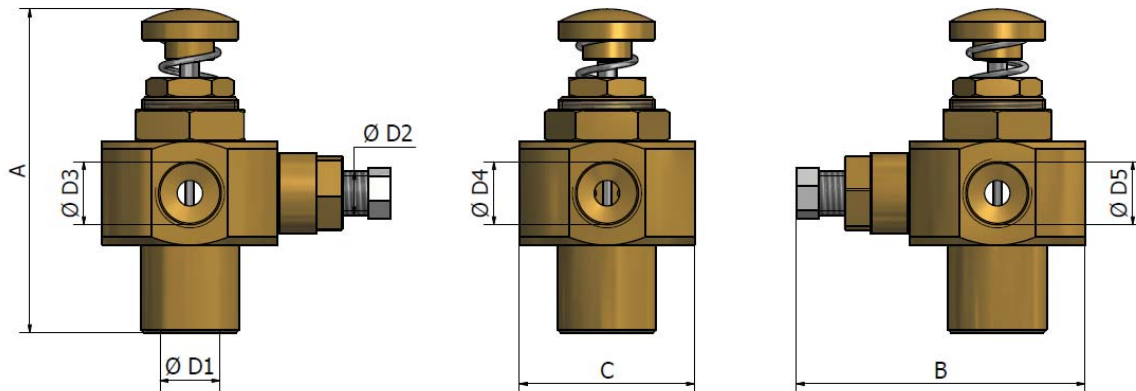
- Body in stainless steel AISI 316
- Stem in Nickel Aluminium Bronze EN 1982 – CC333G
- Knob in stainless steel AISI 316
- Stem guide in stainless steel AISI 316
- Balls in EPDM
- Spring in stainless steel AISI 316
- EPDM seal

Construction in NAB/Monel 400

- Body to in Nickel Aluminum Bronze EN 1982 – CC333G
- Stem in Monel 400
- Knob in Nickel Aluminium Bronze EN 1982 – CC333G
- Stem guide in Nickel Aluminium Bronze EN 1982 – CC333G
- Balls in EPDM
- Spring in Monel 400
- EPDM seal

Dimensioni e Pesì

Dimensions and Weights



A mm	B mm	C mm	Ø D1 NPT	Ø D2 NPT	Ø D3 NPT	Ø D4 NPT	Ø D5 NPT	Peso Weight (kg)
101	90	55	1/2"	1/2"	1/2"	1/2"	1/2"	0,9

Opzioni

- Pressione di esercizio 26 bar
- Per ulteriori opzioni o versioni speciali contattare SA Fire Protection

Optional

- Working pressure 26 bar
- For additional options or special versions contact SA Fire Protection

Codice Identificativo
Identification Form

OPZIONI/OPTIONS

Mod. MR /

1
2
3

Quantità / Quantity

RIARMO MANUALE MR / MANUAL RESET MR

TIPOLOGIA TYPE	1	Tipologia Type	Riarso manuale Manual reset	MR <input checked="" type="checkbox"/>	
	2	Materiale Material	NAB/Acciaio inox NAB/Stainless steel	BA <input type="checkbox"/>	Materiale standard Standard material
			Acciaio inox Stainless steel	AI <input type="checkbox"/>	
NAB/Monel 400			MO <input type="checkbox"/>		
3	Pressione Pressure	Massima pressione di esercizio 26 bar Maximum working pressure 26 bar	26 <input type="checkbox"/>		

NOTE NOTES	
-----------------------	--

CLIENTE / CLIENT:	PROGETTO / PROJECT:	DOC. No.:	REV.:
EMESSO / ISSUED:	CONTROLLATO / CHECKED:	APPROVATO / APPROVED:	
DATA / DATE:	DATA / DATE:	DATA / DATE:	

VALVOLA DI DRENAGGIO AUTOMATICO – DA
AUTOMATIC DRAIN VALVE – DA



Descrizione



Il Mod. DA è valvola di drenaggio automatica installata nella valvola a diluvio a valle della membrana.

La valvola di drenaggio automatica consente la fuoriuscita di eventuali residui di acqua e mantiene la linea di scarica a pressione ambiente. All'aumentare del flusso di acqua a seguito dell'apertura della valvola a diluvio, la valvola di drenaggio automatica si chiude automaticamente. Il pulsante manuale consente di aprire manualmente la valvola di drenaggio quando la valvola è sotto pressione.

La valvola di drenaggio è disponibile in tre costruzioni differenti: Nichel Alluminio Bronzo (NAB) con parti interne in acciaio inox (316), corpo in acciaio inox (316) con parti interne in Nichel Alluminio Bronzo (NAB) oppure in Nichel Alluminio Bronzo (NAB) e parti interne in Monel 400.

Description



The Mod. DA is an automatic drain valve installed on the deluge valve downstream the diaphragm.

The automatic drain valve allows any residual water to be discharged, and keep the discharge line at ambient pressure. When the water flow increases after the opening of the deluge valve, the automatic drain valve closes automatically. The knob allows the drain valve to be manually open when it is under pressure.

The manual reset is available in three different constructions: Nickel Aluminum Bronze (NAB) with internal parts in stainless steel (316), stainless steel (316) body in stainless steel with internal parts in Nickel Aluminum Bronze or body in Nickel Aluminum Bronze with internal parts in Monel 400.

Caratteristiche tecniche

- Pressione massima d'esercizio 26 bar
- Pressione di progetto 26 bar
- Pressione di collaudo 37,2 bar

Finitura:

- Naturale

Costruzione in NAB/Acciaio inox

- Corpo Nichel Alluminio Bronzo EN 1982 – CC333G
- Asta in acciaio inox AISI 316
- Sfera in EPDM
- Molla in acciaio inox AISI 316
- Spina in acciaio inox AISI 316

Costruzione in Acciaio inox

- Corpo in acciaio inox AISI 316
- Asta in Nichel Alluminio Bronzo EN 1982 – CC333G
- Sfera in EPDM
- Molla in acciaio inox AISI 316
- Spina in acciaio inox AISI 316

Costruzione in NAB/Monel 400

- Corpo in Nichel Alluminio Bronzo EN 1982 – CC333G
- Asta in Monel 400
- Sfera in EPDM
- Molla in acciaio inox AISI 316
- Spina in acciaio inox AISI 316

Technical characteristics

- Maximum working pressure 26 bar
- Design pressure 26 bar
- Test pressure 37,2 bar

Finish:

- Natural

Construction in NAB/Stainless steel

- Body in Nickel Aluminium Bronze EN 1982 – CC333G
- Stem in stainless steel AISI 316
- Sphere in EPDM
- Spring in stainless steel AISI 316
- Plug in stainless steel AISI 316

Construction in Stainless steel

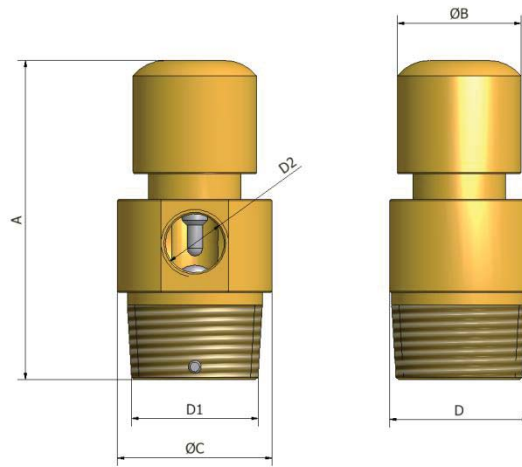
- Body in stainless steel AISI 316
- Stem in stainless steel AISI 316
- Sphere in EPDM
- Spring in stainless steel AISI 316
- Plug in stainless steel AISI 316

Construction in NAB/Monel 400

- Body to in Nickel Aluminum Bronze EN 1982 – CC333G
- Stem in Monel 400
- Sphere in EPDM
- Spring in stainless steel AISI 316
- Plug in stainless steel AISI 316

Dimensioni e Pesì

Dimensions and Weights



A mm	Ø B mm	Ø C mm	D mm	D1 M NPT	D2 F NPT	Peso Weight (kg)
62	24	30	26	1/2"	1/4"	0,250

Opzioni

- Per ulteriori opzioni o versioni speciali contattare SA Fire Protection

Optional

- For additional options or special versions contact SA Fire Protection

Codice Identificativo
Identification Form

Mod. DA

① ②

Quantità / Quantity

VALVOLA DI DRENAGGIO AUTOMATICA / AUTOMATIC DRAIN VALVE MOD. DA

TIPOLOGIA TYPE	①	Tipologia Type	Valvola di sfiato manuale Manual vent valve	DA <input checked="" type="checkbox"/>	Tipologia standard Standard type
	②	Materiale Material	NAB/Acciaio inox NAB/Stainless steel	BA <input type="checkbox"/>	Materiale standard Standard material
			Acciaio inox Stainless steel	AI <input type="checkbox"/>	
			NAB/Monel 400	MO <input type="checkbox"/>	

NOTE NOTES	
-----------------------	--

CLIENTE / CLIENT:	PROGETTO / PROJECT:	DOC. No.:	REV.:
EMESSO / ISSUED:	CONTROLLATO / CHECKED:	APPROVATO / APPROVED:	
DATA / DATE:	DATA / DATE:	DATA / DATE:	

SENSORE DI POSIZIONE PER MEMBRANA – DPMS
DIAPHRAGM POSITION MONITORING SYSTEM – DPMS



Descrizione



Il Mod. DPMS è un sensore di posizione installato sulla membrana della valvola a diluvio.

Il sensore di posizione per membrana Mod. DPMS è costituito da un'asta solidale alla membrana libera di scorrere attraverso il coperchio della valvola a diluvio, e da due sensori di prossimità che rilevano il fine corsa inferiore e superiore dell'asta.

A valvola chiusa l'asta è posizionata in corrispondenza del sensore di prossimità inferiore. All'apertura della valvola a diluvio la membrana spinge l'asta verso il sensore di prossimità superiore, inviando una segnalazione di valvola aperta al pannello di controllo locale.

Description



The Mod. DPMS is a position monitoring system installed on the diaphragm of the deluge valve.

The diaphragm position monitoring system Mod. DPMS is composed of a rod joined to the diaphragm and free to move across the cover plate, and two proximity sensors which detect the lower and the upper end position of the rod.

When the valve is closed, the rod is in correspondence of the lower end proximity sensor. When the valve is opened the diaphragm push the rod against the upper proximity sensor, sending a signal of valve open to the local fire control panel.

Caratteristiche tecniche

- Staffa in acciaio inox AISI 316
- Asta in acciaio inox AISI 316
- Anello in acciaio inox AISI 316
- Guida in acciaio inox AISI 316
- Molla in acciaio inox AISI 316
- Guarnizioni in EPDM

Finitura:

- Naturale

Caratteristiche sensore di prossimità:

- Sensore induttivo dimensione M18
- Corpo in acciaio inox
- Distanza di rilevamento singola 5 mm ± 10%
- Distanza di impostazione da 0 a 4 mm
- Led giallo per indicazione intervento
- Temperatura di lavoro da -40°C a 70°C
- Umidità: 35% ÷ 95%
- Connessione elettrica: Scatola derivazione con No. 2 contatti SPDT
- Voltaggio 12 ÷ 24 VDC
- Classe di protezione IP67
- Area di installazione:
 - Zona sicura
 - ATEX Ex ia

Technical characteristics

- Mounting bracket in stainless steel AISI 316
- Rod in stainless steel AISI 316
- Ring in stainless steel AISI 316
- Guide in stainless steel AISI 316
- Spring in stainless steel AISI 316
- EPDM seal

Finish:

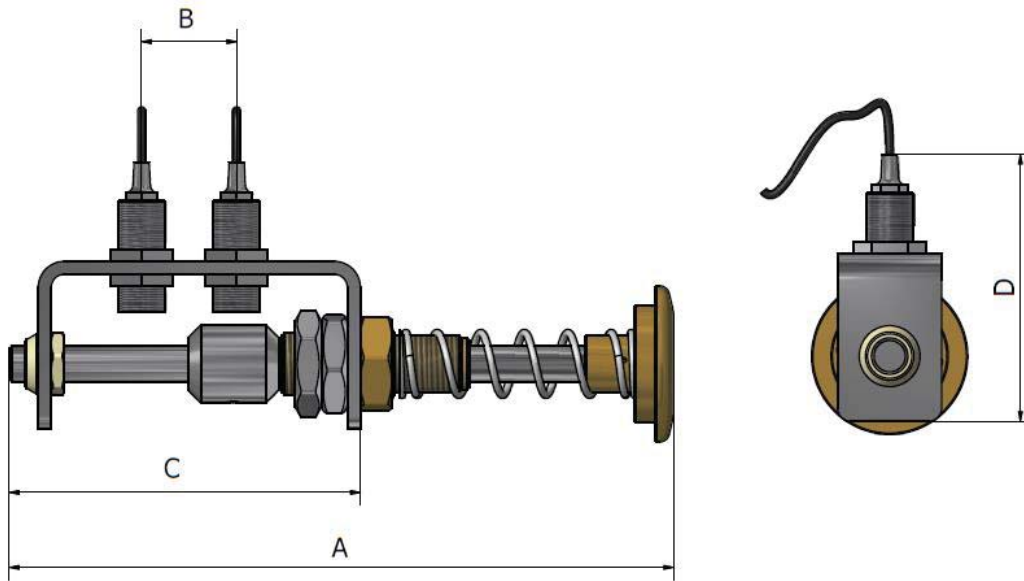
- Natural

Proximity sensor characteristics:

- Inductive sensor size M18
- Body in stainless steel
- Sensing distance: 5 mm ± 10%
- Setting distance: 0 to 4 mm
- Operation indicator: yellow led
- Operating temperature: -40°C to 70°C
- Operating humidity: 35% to 95%
- Electrical interface: JB with No. 2 SPDT contacts
- Power supply voltage: 12 to 24 VDC
- Protection class: IP67
- Installation area:
 - Safe zone
 - ATEX Ex ia

Dimensioni e Pesì

Dimensions and Weights



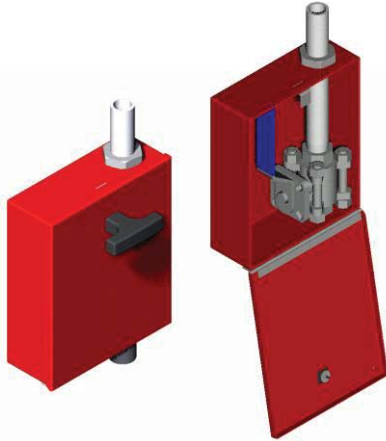
Dimensione valvola Valve size	A mm	B mm	C mm	D mm	Peso Weight (kg)
2"	247	127	29	102	1.4
2 1/2"	255	135	37	102	1.5
3"	255	135	37	102	1.5
4"	269	149	51	102	1.6
6"	327	207	109	102	1.7
8"	354	234	136	102	1.8
10"	359	239	141	102	1.9

Opzioni

Options

- Per ulteriori opzioni o versioni speciali contattare SA Fire Protection
- For additional options or special versions contact SA Fire Protection

COMANDO MANUALE DI EMERGENZA – CME
EMERGENCY MANUAL RELEASE – CME



Descrizione



Il Mod. CME è un comando manuale di emergenza installato sulla linea acqua del trim di controllo delle valvole a diluvio. In caso di incendio il comando manuale di emergenza consente all'operatore di aprire la valvola a diluvio manualmente, aprendo il coperchio e ruotando la leva della valvola a sfera.

Il comando manuale di emergenza può essere installato sulla linea opzionale di comando manuale remoto e sulla linea opzionale di comando remoto aria.

La valvola a sfera è disponibile in cinque costruzioni differenti: corpo e parti interne in acciaio inox, corpo in Nichel Alluminio Bronzo e parti interne in Monel o acciaio inox, oppure corpo in bronzo e parti interne in Monel o acciaio inox.

Description



The Mod. CME is an emergency manual release installed in the water line of the control trim of the deluge valves. In case of fire the emergency manual release allows the operator to manually open the deluge valve, opening the cover and rotating the lever of the ball valve.

The emergency manual release can be installed in the optional remote manual control line and in the optional remote air control line.

The ball valve is available in five different constructions: body and internal parts in stainless steel, body in Nickel Aluminum Bronze and internal parts in Monel or stainless steel, or body in bronze and internal parts in Monel or stainless steel.

Caratteristiche tecniche

Caratteristiche cassetta:

- Montaggio sinistro o destro
- Lamiera in acciaio zincato
- Maniglia in plastica

Ciclo verniciatura standard SA:

- Pulizia manuale con solvente
- Primer epossidico 60 µm
- Finitura poliuretano 60 µm
- Spessore totale film secco 120 µm +/-10%
- Colore rosso RAL 3000

Valvola in Acciaio Inox

- Corpo in acciaio inox AISI 316
- Sfera in acciaio inox AISI 316
- Asta in acciaio inox AISI 316
- Sede in PTFE
- Guarnizioni in PTFE
- Viti e dadi in acciaio inox AISI 304
- Leva in acciaio inox AISI 304
- Pressione massima d'esercizio 41 bar
- Finitura al naturale

Valvola in Nichel Alluminio Bronzo/Monel

- Corpo in Nichel Alluminio Bronzo ASTM B148 C95800
- Sfera in Monel 400
- Asta in acciaio inox AISI 316
- Sede in PTFE
- Guarnizioni in grafite teflonata
- Viti e dadi in AISI 316
- Leva in acciaio inox
- Pressione massima d'esercizio 40 bar
- Finitura al naturale

Valvola in Nichel Alluminio Bronzo/Acciaio Inox

- Corpo in Nichel Alluminio Bronzo ASTM B148 C95800
- Sfera in acciaio inox AISI 316
- Asta in acciaio inox AISI 316
- Sede in PTFE
- Guarnizioni in grafite teflonata
- Viti e dadi in AISI 316
- Leva in acciaio inox
- Pressione massima d'esercizio 40 bar
- Finitura al naturale

Technical characteristics

Cabinet construction:

- Left or right version
- Galvanized steel sheet
- Handle in plastic

Painting system standard SA:

- Manual cleaning solvent
- Epoxy primer 60 µm
- Polyurethane finish 60 µm
- Total thickness 120 µm dry film +/-10%
- Colour red RAL 3000

Valve in Stainless Steel

- Body in stainless steel AISI 316
- Ball in stainless steel AISI 316
- STEM in stainless steel AISI 316
- Seat in PTFE
- Seal in PTFE
- Bolt, nuts in stainless steel AISI 304
- Lever in stainless steel AISI 304
- Maximum working pressure 41 bar
- Natural finish

Valve in Nickel Aluminum Bronze/Monel

- Body in Nickel Aluminum Bronze ASTM B148 C95800
- Ball in Monel 400
- Stem in stainless steel AISI 316
- Seat in PTFE
- Seal and packing in graphite with teflon
- Bolt, nuts in stainless steel AISI 316
- Lever in stainless steel
- Maximum working pressure 40 bar
- Natural finish

Valve in Nickel Aluminum Bronze/Stainless Steel

- Body in Nickel Aluminum Bronze ASTM B148 C95800
- Ball in stainless steel AISI 316
- Stem in stainless steel AISI 316
- Seat in PTFE
- Seal and packing in graphite with teflon
- Bolt, nuts in stainless steel AISI 316
- Lever in stainless steel
- Maximum working pressure 40 bar
- Natural finish

Caratteristiche tecniche

Valvola in Bronzo/Monel

- Corpo in bronzo ASTM B62 C83600
- Sfera in Monel 400
- Asta in acciaio inox AISI 316
- Sede in PTFE
- Guarnizioni in grafite teflonata
- Viti e dadi in AISI 316
- Leva in acciaio inox
- Pressione massima d'esercizio 40 bar
- Finitura al naturale

Valvola in Bronzo/Acciaio Inox

- Corpo in bronzo ASTM B62 C83600
- Sfera in acciaio inox AISI 316
- Asta in acciaio inox AISI 316
- Sede in PTFE
- Guarnizioni in grafite teflonata
- Viti e dadi in AISI 316
- Leva in acciaio inox
- Pressione massima d'esercizio 40 bar
- Finitura al naturale

Technical characteristics

Valve in Bronze/Monel

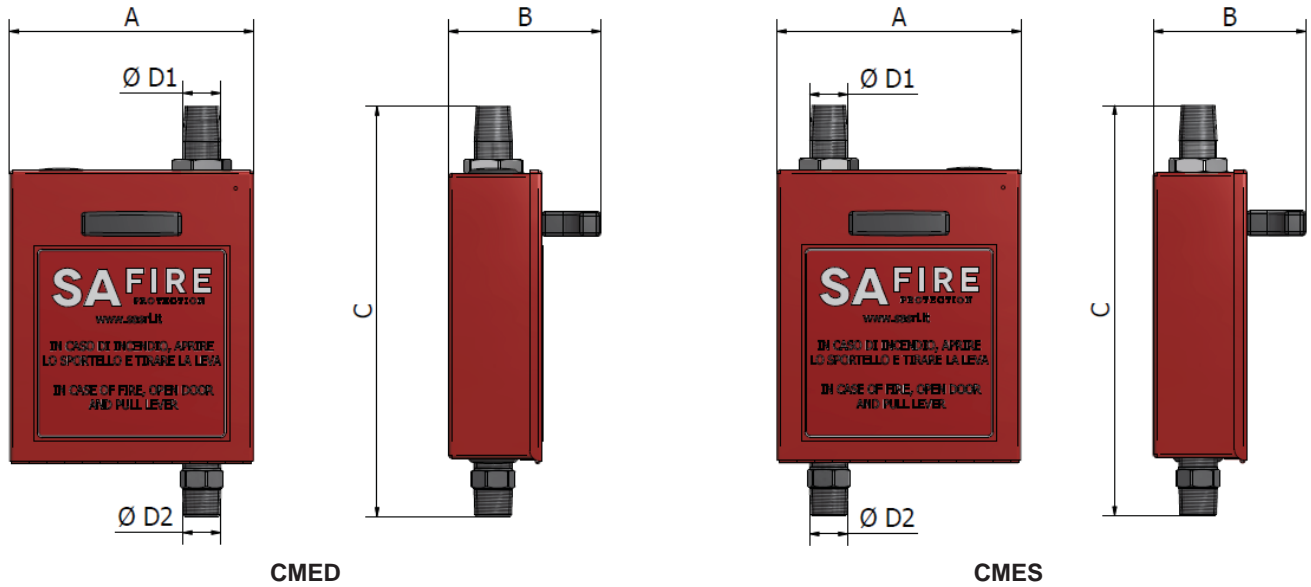
- Body in bronze ASTM B62 C83600
- Ball in Monel 400
- Stem in stainless steel AISI 316
- Seat in PTFE
- Seal and packing in graphite with teflon
- Bolt, nuts in stainless steel AISI 316
- Lever in stainless steel
- Maximum working pressure 40 bar
- Natural finish

Valve in Bronze/Stainless Steel

- Body in bronze ASTM B62 C83600
- Ball in stainless steel AISI 316
- Stem in stainless steel AISI 316
- Seat in PTFE
- Seal and packing in graphite with teflon
- Bolt, nuts in stainless steel AISI 316
- Lever in stainless steel
- Maximum working pressure 40 bar
- Natural finish

Dimensioni e Pesì

Dimensions and Weights



CMED

CMES

A mm	B mm	C mm	Ingresso Inlet Ø D1 NPT	Scarico Outlet Ø D2 NPT	Peso Weight (kg)
137	85,5	230	1/2"	1/2"	1,5

Opzioni

- Per ulteriori opzioni o versioni speciali contattare SA Fire Protection

Options

- For additional options or special versions contact SA Fire Protection

Codice Identificativo
Identification Form

OPZIONI/OPTIONS

Mod. /

1
2
3

Quantità / Quantity

COMANDO MANUALE DI EMERGENZA CME / EMERGENCY MANUAL RELEASE CME

COMANDO MANUALE DI EMERGENZA CME / EMERGENCY MANUAL RELEASE CME					
TIPOLOGIA TYPE	1	Tipologia Type	Comando manuale di emergenza – versione destra Emergency manual release – right version	CMED <input type="checkbox"/>	
			Comando manuale di emergenza – versione sinistra Emergency manual release – left version	CMES <input type="checkbox"/>	
	2	Materiale valvola Valve material	Acciaio inox Stainless steel	AI <input type="checkbox"/>	Materiale standard per trim in acciaio inox Standard material for trim in stainless steel
			NAB/Monel	BAMO <input type="checkbox"/>	Materiale standard per trim in Monel/Bronzo/NAB Standard material for trim in Monel/Bronze/NAB
			NAB/Acciaio inox NAB/Stainless steel	BAAI <input type="checkbox"/>	
Bronzo/Monel Bronze/Monel			BGMO <input type="checkbox"/>		
		Bronzo/Acciaio inox Bronze/Stainless steel	BGAI <input type="checkbox"/>		
OPZIONI OPTIONS	3	Verniciatura Painting	Verniciatura diversa dallo standard Painting system different from SA standard	C <input type="checkbox"/>	Specificare in Note il ciclo di verniciatura richiesto. Specify in Notes the painting procedure required.
NOTE NOTES					
CLIENTE / CLIENT:		PROGETTO / PROJECT:		DOC. No.:	REV.:
EMESSO / ISSUED:		CONTROLLATO / CHECKED:		APPROVATO / APPROVED:	
DATA / DATE:		DATA / DATE:		DATA / DATE:	

ORIFIZIO CALIBRATO – OC
RESTRICTION ORIFICE – OC



Descrizione



Il Mod. OC è un orifizio calibrato installato nel trim di controllo delle valvole a diluvio per ridurre l'afflusso di acqua o aria in ingresso al trim.

L'orifizio calibrato Mod. OC è disponibile in acciaio inox, bronzo e Nichel Alluminio Bronzo.

Description



The Mod. OC is a restriction orifice installed in the control trim of the deluge valves to reduce the water or air inlet flow in the control trim.

The restriction orifice Mod. OC is available in stainless steel, bronze and Nickel Aluminum Bronze.

Caratteristiche tecniche

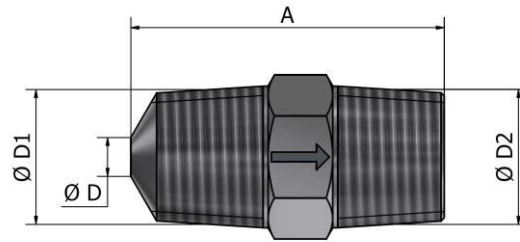
- Materiale:
 - Acciaio inox AISI 316L
 - Bronzo EN 1982 – CC491K
 - Nichel Alluminio Bronzo EN 1982 – CC333G
- Diametro orifizio:
 - 0.6 mm
 - 6 mm
 - 9 mm
- Materiale:
 - Acciaio inox AISI 316L
 - Bronzo EN 1982 – CC491K
 - Nichel Alluminio Bronzo EN 1982 – CC333G
- Pressione massima d'esercizio 207 bar – 3000 psi
- Pressione di test 310 bar – 4500 psi
- Finitura al naturale

Technical characteristics

- Material:
 - Stainless steel AISI 316L
 - Bronze EN 1982 – CC491K
 - Nickel Aluminum Bronze EN 1982 – CC 333G
- Orifice diameter:
 - 0.6 mm
 - 6 mm
 - 9 mm
- Material:
 - Stainless steel AISI 316L
 - Bronze EN 1982 – CC491K
 - Nickel Aluminum Bronze EN 1982 – CC 333G
- Maximum working pressure 207 bar – 3000 psi
- Maximum working pressure 310 bar – 4500 psi
- Natural finish

Dimensioni e Pesì

Dimensions and Weights



$\varnothing D$ mm	$\varnothing D1$ M NPT	$\varnothing D2$ M NPT	A mm	Peso Weight (kg)
0.6	1/2"	1/2"	50	0,12
6	1/2"	1/2"	49	0.10
9	1/2"	1/2"	48	0.09

Opzioni

Optional

- Per ulteriori opzioni o versioni speciali contattare SA Fire Protection
- For additional options or special versions contact SA Fire Protection

VALVOLA PILOTA RIDUTTRICE DI PRESSIONE - VPRP
PRESSURE REDUCING PILOT VALVE - VPRP



Descrizione



Il Mod. VPRP è una valvola pilota riduttrice di pressione installata nel trim di controllo delle valvole a diluvio riduttrici di pressione. La valvola è utilizzata per regolare automaticamente la pressione a valle della valvola a diluvio ad un valore costante minore della pressione in ingresso.

La valvola pilota riduttrice di pressione è disponibile in due costruzioni: Nichel Alluminio Bronzo (NAB) con parti interne in acciaio inox (316) oppure con corpo in acciaio inox (316) con parti interne in Nichel Alluminio Bronzo (NAB).

Description



The Mod. VPRP is a pressure reducing pilot valve installed in the control trims of the pressure reducing deluge valves. The valve is used to reduce automatically the pressure downstream the deluge valve to a steady value lower than the inlet pressure. The pressure reducing pilot valve is available in three different constructions: Nickel Aluminum Bronze (NAB) with internal parts in stainless steel (316) or stainless steel (316) body with internal parts in Nickel Aluminum Bronze (NAB).

Caratteristiche tecniche

Versione in Acciaio inox (AI)

- Corpo in acciaio inox AISI 316
- Molla in acciaio inox AISI 316
- Vite di regolazione in acciaio inox AISI 316
- Piatto membrana in Nichel Alluminio Bronzo EN 1982-CC333G
- Membrana valvola pilota controllo pressione in EPDM
- Guarnizioni in EPDM / PTFE
- Regolazione di pressione 2-12 bar
- Pressione massima di esercizio 26 bar
- Viti a brugola in acciaio inox AISI 316
- Finitura al naturale

Versione in NAB/Acciaio inox (BAAI)

- Corpo in NAB
- Molla in acciaio inox AISI 316
- Vite di regolazione in acciaio inox AISI 316
- Piatto membrana in Nichel Alluminio Bronzo EN 1982-CC333G
- Membrana valvola pilota controllo pressione in EPDM
- Guarnizioni in EPDM / PTFE
- Regolazione di pressione 2-12 bar
- Pressione massima di esercizio 26 bar
- Viti a brugola in acciaio inox AISI 316
- Finitura al naturale

Technical characteristics

Version in Stainless steel (AI)

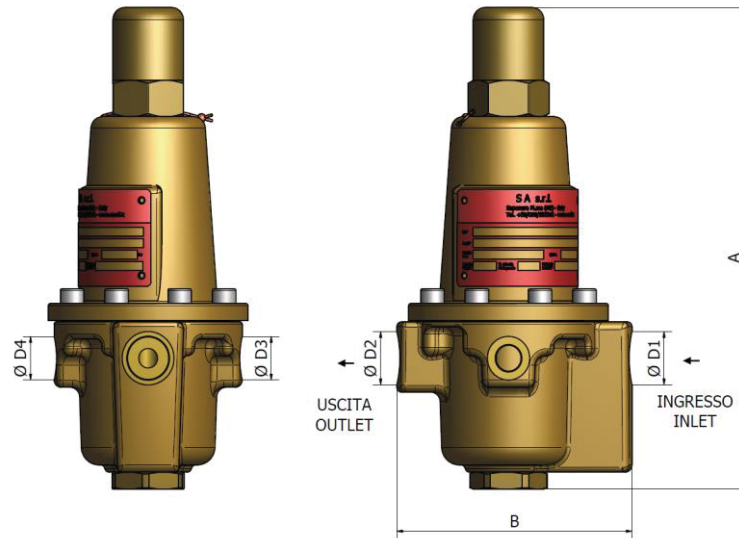
- Body in stainless steel AISI 316
- Spring in stainless steel AISI 316
- Regulation screw in stainless steel AISI 316
- Diaphragm plate in Nickel Aluminium Bronze EN 1982-CC333G
- Regulation pressure pilot valve diaphragm in EPDM
- Gasket in EPDM / PTFE
- Regulation pressure 2-12 bar
- Maximum working pressure 26 bar
- Allen screws in stainless steel AISI 316
- Natural finish

Version in NAB/Stainless steel (BAAI)

- Body in NAB
- Spring in stainless steel AISI 316
- Regulation screw in stainless steel AISI 316
- Diaphragm plate in Nickel Aluminium Bronze EN 1982-CC333G
- Regulation pressure pilot valve diaphragm in EPDM
- Gasket in EPDM / PTFE
- Regulation pressure 2-12 bar
- Maximum working pressure 26 bar
- Allen screws in stainless steel AISI 316
- Natural finish

Dimensioni e pesi

Dimensions and weights



Ø D1 F NPT	Ø D2 F NPT	Ø D3 ⁽¹⁾ F NPT	Ø D4 ⁽¹⁾ F NPT	A mm	B mm	Peso Weight (kg)
1/2"	1/2"	1/4"	1/4"	199	100	4,0

Opzioni

- Per ulteriori opzioni o versioni speciali contattare SA Fire Protection

Optional

- For additional options or special versions contact SA Fire Protection

Note:

(1) Attacco manometro

Notes:

(1) Pressure gauge connection.

Codice Identificativo
Identification Form

Mod. VPRP

① ②

Quantità / Quantity

VALVOLA PILOTA RIDUTTRICE DI PRESSIONE / PRESSURE REDUCING PILOT VALVE

TIPOLOGIA TYPE	①	Tipologia Type	Valvola pilota riduttrice di pressione Pressure reducing pilot valve	VPRP <input checked="" type="checkbox"/>	
	②	Materiale Material	Acciaio inox Stainless steel	AI <input type="checkbox"/>	Materiale standard per trim in acciaio inox Standard material for trim in stainless steel
			NAB/Acciaio inox NAB/Stainless steel	BAAI <input type="checkbox"/>	

NOTE NOTES	

CLIENTE / CLIENT:	PROGETTO / PROJECT:	DOC. No.:	REV.:
EMESSO / ISSUED:	CONTROLLATO / CHECKED:	APPROVATO / APPROVED:	
DATA / DATE:	DATA / DATE:	DATA / DATE:	

I particolari di questo foglio tecnico, sebbene esatti al tempo della pubblicazione, potrebbero essere soggetti a modifiche senza preavviso. - The data shown on this data sheet, although correct at the time of publication, may be varied without notice.

CAMPANA IDRAULICA – WG
WATER MOTOR ALARM GONG – WG



Descrizione



Il Mod. WG è una campana idraulica installata sulla linea di allarme delle valvole a diluvio.
La campana idraulica è dotata di una turbina idraulica in grado di far suonare la campana in continuo quando viene aperta la valvola a diluvio.
La campana idraulica Mod. WG viene fornita completa di filtro a Y da 3/4", in accordo ai requisiti di NFPA 13 e NFPA 15.

Description



The Mod. WG is a water motor alarm gong installed on the alarm line of the deluge valves.
The water motor alarm gong is composed of a water driven motor which operates the gong continuously when the deluge valve is open.
The water motor gong is supplied equipped with a 3/4" Y strainer, according to NFPA 13 and NFPA 15 requirements.

Caratteristiche tecniche

- Ugello in ottone
- Tubo protezione albero in acciaio al carbonio
- Tappo spurgo in ghisa
- Campana in acciaio inossidabile
- Staffa supporto campana in alluminio
- Battente in bachelite
- Pressione massima di lavoro: 12 bar
- Filtro a Y 3/4"
- Certificato UL

Finitura:

- Turbina al naturale
- Campana verniciata rosso RAL 3000

Technical characteristics

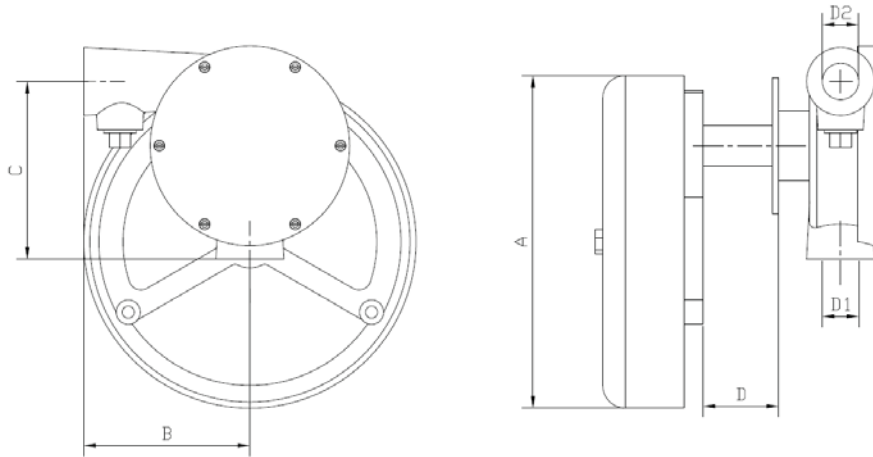
- Nozzle in brass
- Driveshaft housing in carbon steel
- Cleanout plug in malleable iron
- Gong in stainless steel
- Bracket in aluminum alloy
- Striker in bakelite
- Maximum working pressure: 12 bar
- Y strainer 3/4"
- UL Listed

Finish:

- Impeller housing: natural
- Gong: painted red RAL 3000

Dimensioni e Pesì

Dimensions and Weights



A mm	B mm	C mm	D mm		Uscita Outlet D1 F NPT	Ingresso Inlet D2 F NPT	Peso Weight (kg)
			MIN	MAX			
220	115	110	50	450	1"	3/4"	7

Opzioni

Options

- Per ulteriori opzioni o versioni speciali contattare SA Fire Protection
- For additional options or special versions contact SA Fire Protection

Codice Identificativo
Identification Form

Mod.

WG

1

Quantità / Quantity

CAMPANA IDRAULICA WG / WATER MOTOR ALARM GONG WG

TIPOLOGIA TYPE	1	Tipologia Type	Campana idraulica Water motor alarm gong	WG ■	
---------------------------	---	-------------------	---	------	--

NOTE NOTES	
-----------------------	--

CLIENTE / CLIENT:	PROGETTO / PROJECT:	DOC. No.:	REV. :
EMESSO / ISSUED:	CONTROLLATO / CHECKED:	APPROVATO / APPROVED:	
DATA / DATE:	DATA / DATE:	DATA / DATE:	

FILTRO A Y – FY
Y STRAINER – FY



Descrizione



Il Mod. FY è un filtro a Y installato nella linea acqua del trim di controllo delle valvole a diluvio. Il filtro a Y è utilizzato per prevenire l'ingresso di detriti e sporczia all'interno del trim della valvola a diluvio.

Il filtro a Y Mod. FY è disponibile in cinque costruzioni differenti: corpo e parti interne in acciaio inox, corpo in Nichel Alluminio Bronzo e parti interne in Monel o acciaio inox, oppure corpo in bronzo e parti interne in Monel o acciaio inox.

Description



The Mod. FY is an Y type strainer installed in the water line of the control trim of the deluge valves. The Y strainer prevents debris and dirty from entering the trim of the deluge valve.

The Y strainer Mod. FY is available in five different constructions: body and internal parts in stainless steel, body in Nickel Aluminum Bronze and internal parts in Monel or stainless steel, or body in bronze and internal parts in Monel or stainless steel.

Caratteristiche tecniche

Versione in Acciaio inox (AI)

- Corpo in acciaio inox AISI 316
- Cestello in acciaio inox AISI 316
- Guarnizioni in PTFE
- Pressione massima di esercizio 41 bar
- Finitura al naturale

Versione in NAB/Monel (BAMO)

- Corpo in Nichel Alluminio Bronzo ASTM B148 C95800
- Cestello in Monel 400
- Guarnizioni in PTFE
- Pressione massima di esercizio 40 bar
- Finitura al naturale

Versione in NAB/Acciaio inox (BAAI)

- Corpo in Nichel Alluminio Bronzo ASTM B148 C95800
- Cestello in acciaio inox AISI 316
- Guarnizioni in PTFE
- Pressione massima di esercizio 40 bar
- Finitura al naturale

Versione in Bronzo/Monel (BGMO)

- Corpo in bronzo ASTM B62 C83600
- Cestello in Monel 400
- Guarnizioni in PTFE
- Pressione massima di esercizio 40 bar
- Finitura al naturale

Versione in Bronzo/Acciaio inox (BGAI)

- Corpo in bronzo ASTM B62 C83600
- Cestello in acciaio inox AISI 316
- Guarnizioni in PTFE
- Pressione massima di esercizio 40 bar
- Finitura al naturale

Technical characteristics

Version in Stainless steel (AI)

- Body in stainless steel AISI 316
- Screen in stainless steel AISI 316
- Gasket in PTFE
- Maximum working pressure 41 bar
- Natural finish

Version in NAB/Monel (BAMO)

- Body in Nickel Aluminum Bronze ASTM B148 C95800
- Screen in Monel 400
- Gasket in PTFE
- Maximum working pressure 40 bar
- Natural finish

Version in NAB/Stainless steel (BAAI)

- Body in Nickel Aluminum Bronze ASTM B148 C95800
- Screen in stainless steel AISI 316
- Gasket in PTFE
- Maximum working pressure 40 bar
- Natural finish

Version in Bronze/Monel (BGMO)

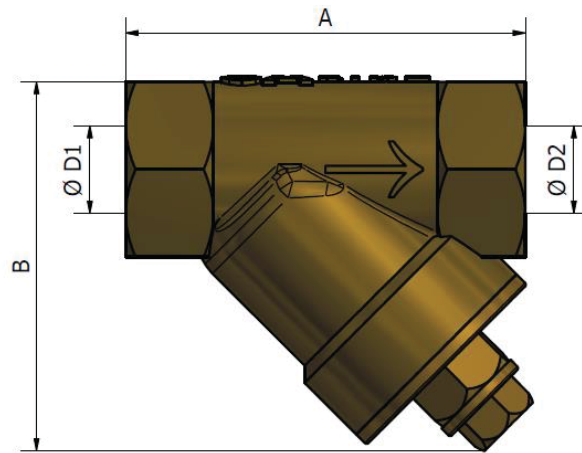
- Body in bronze ASTM B62 C83600
- Screen in Monel 400
- Gasket in PTFE
- Maximum working pressure 40 bar
- Natural finish

Version in Bronze/Stainless steel (BGAI)

- Body in bronze ASTM B62 C83600
- Screen in stainless steel AISI 316
- Gasket in PTFE
- Maximum working pressure 40 bar
- Natural finish

Dimensioni e pesi

Dimensions and weights



BV – AI/BAMO/BAAI/BGMO/BGAI

Corpo - Materiale Body - Materials	Ø D1 F NPT	Ø D2 F NPT	A mm	B mm	Peso Weight (kg)
AI	1/2"	1/2"	66	61	0,23
BAMO BAAI BGMO BGAI	1/2"	1/2"	82	76	0,60

Opzioni

Optional

- Per ulteriori opzioni o versioni speciali contattare SA Fire Protection
- For additional options or special versions contact SA Fire Protection

Codice Identificativo
Identification Form

Mod.

FY	
----	--

1

2

Quantità / Quantity

FILTRO A Y FY/ Y STRAINER FY

TIPOLOGIA TYPE	1	Tipologia Type	Filtro a Y Y strainer	FY ■	
	2	Materiale Material	Acciaio inox Stainless steel		AI <input type="checkbox"/>
NAB/Monel				BAMO <input type="checkbox"/>	Materiale standard per trim in Monel/Bronzo/NAB Standard material for trim in Monel/Bronze/NAB
NAB/Acciaio inox NAB/Stainless steel				BAAI <input type="checkbox"/>	
Bronzo/Monel Bronze/Monel				BGMO <input type="checkbox"/>	
Bronzo/Acciaio inox Bronze/Stainless steel				BGAI <input type="checkbox"/>	

NOTE NOTES				

CLIENTE / CLIENT:	PROGETTO / PROJECT:	DOC. No.:	REV.:
EMESSO / ISSUED:	CONTROLLATO / CHECKED:	APPROVATO / APPROVED:	
DATA / DATE:	DATA / DATE:	DATA / DATE:	

VALVOLA DI NON RITORNO – VNR
NON RETURN VALVE – VNR



Descrizione



Il Mod. VNR è una valvola di non ritorno installata nel trim di controllo delle valvole a diluvio. La valvola di non ritorno è utilizzata per prevenire il flusso inverso di acqua o aria verso monte.

La valvola di non ritorno Mod. VNR è disponibile in cinque costruzioni differenti: corpo e parti interne in acciaio inox, corpo in Nichel Alluminio Bronzo e parti interne in Monel o acciaio inox, oppure corpo in bronzo e parti interne in Monel o acciaio inox.

Description



The Mod. VNR is a check valve installed in the control trim of the deluge valves. The check valve prevents water or air to flow backwards upstream.

The check valve Mod. VNR is available in five different constructions: body and internal parts in stainless steel, body in Nickel Aluminum Bronze and internal parts in Monel or stainless steel, or body in bronze and internal parts in Monel or stainless steel.

Caratteristiche tecniche

Versione in Acciaio inox (AI)

- Corpo in acciaio inox AISI 316
- Molla in acciaio inox AISI 316
- Disco in acciaio inox AISI 316
- Guarnizioni in PTFE
- Pressione massima d'esercizio 41 bar
- Finitura al naturale

Versione in NAB/Monel (BAMO)

- Corpo in Nichel Alluminio Bronzo ASTM B148 C95800
- Molla in Monel 400
- Disco in Nichel Alluminio Bronzo ASTM B148 C95800
- Guarnizioni in EPDM
- Pressione massima d'esercizio 40 bar
- Finitura al naturale

Versione in NAB/Acciaio inox (BAAI)

- Corpo in Nichel Alluminio Bronzo ASTM B148 C95800
- Molla in acciaio inox AISI 316
- Disco in Nichel Alluminio Bronzo ASTM B148 C95800
- Guarnizioni in EPDM
- Pressione massima d'esercizio 40 bar
- Finitura al naturale

Versione in Bronzo/Monel (BGMO)

- Corpo in bronzo ASTM B62 C83600
- Molla in Monel 400
- Disco in bronzo ASTM B62 C83600
- Guarnizioni in EPDM
- Pressione massima d'esercizio 40 bar
- Finitura al naturale

Versione in Bronzo/Acciaio inox (BGAI)

- Corpo in bronzo ASTM B62 C83600
- Molla in acciaio inox AISI 316
- Disco in bronzo ASTM B62 C83600
- Guarnizioni in EPDM
- Pressione massima d'esercizio 40 bar
- Finitura al naturale

Technical characteristics

Version in Stainless steel (AI)

- Body in stainless steel AISI 316
- Spring in stainless steel AISI 316
- Disc in stainless steel AISI 316
- Gasket in PTFE
- Maximum working pressure 41 bar
- Natural finish

Version in NAB/Monel (BAMO)

- Body in Nickel Aluminum Bronze ASTM B148 C95800
- Spring in Monel 400
- Disc in Nickel Aluminum Bronze ASTM B148 C95800
- Gasket in EPDM
- Maximum working pressure 40 bar
- Natural finish

Version in NAB/Stainless steel (BAAI)

- Body in Nickel Aluminum Bronze ASTM B148 C95800
- Spring in stainless steel AISI 316
- Disc in Nickel Aluminum Bronze ASTM B148 C95800
- Gasket in EPDM
- Maximum working pressure 40 bar
- Natural finish

Version in Bronze/Monel (BGMO)

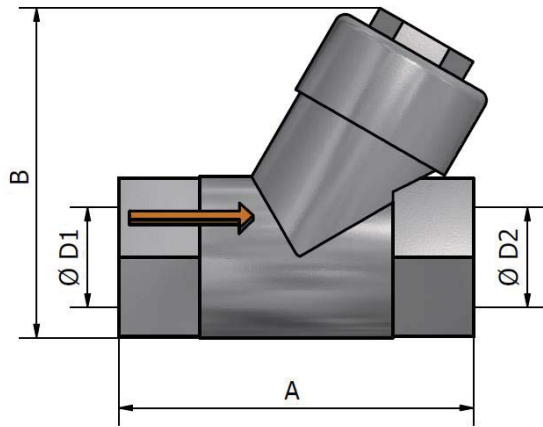
- Body in bronze ASTM B62 C83600
- Spring in Monel 400
- Disc in bronze ASTM B62 C83600
- Gasket in EPDM
- Maximum working pressure 40 bar
- Natural finish

Version in Bronze/Stainless steel (BGAI)

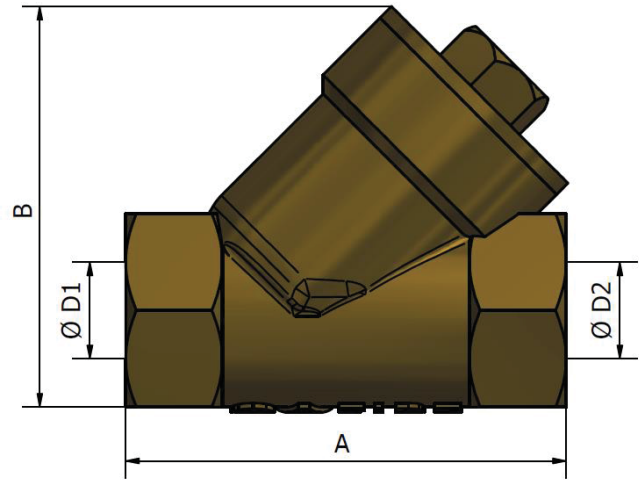
- Body in bronze ASTM B62 C83600
- Spring in stainless steel AISI 316
- Disc in bronze ASTM B62 C83600
- Gasket in EPDM
- Maximum working pressure 40 bar
- Natural finish

Dimensioni e pesi

Dimensions and weights



BV - AI



BV - BAMO/BAAI/BGMO/BGAI

Corpo - Materiale Body - Materials	Ø D1 F NPT	Ø D2 F NPT	A mm	B mm	Peso Weight (kg)
AI	1/2"	1/2"	66	62	0,23
BAMO BAAI BGMO BGAI	1/2"	1/2"	82	75	0,70

Opzioni

- Per ulteriori opzioni o versioni speciali contattare SA Fire Protection

Optional

- For additional options or special versions contact SA Fire Protection

VALVOLA A SFERA – BV
BALL VALVE – BV



Descrizione



Il Mod. BV è una valvola a sfera installata nel trim di controllo e nella linea di drenaggio principale delle valvole a diluvio.

La valvola a sfera Mod. BV è disponibile in cinque costruzioni differenti: corpo e parti interne in acciaio inox, corpo in Nichel Alluminio Bronzo e parti interne in Monel o acciaio inox, oppure corpo in bronzo e parti interne in Monel o acciaio inox.

Description



The Mod. BV is ball valve installed in the control trim and main drain line of the deluge valves.

The ball valve Mod. BV is available in five different constructions: body and internal parts in stainless steel, body in Nickel Aluminum Bronze and internal parts in Monel or stainless steel, or body in bronze and internal parts in Monel or stainless steel.

Caratteristiche tecniche
Valvola in Acciaio Inox (AI)

- Corpo in acciaio inox AISI 316
- Sfera in acciaio inox AISI 316
- Asta in acciaio inox AISI 316
- Sede in PTFE
- Guarnizioni in PTFE
- Viti e dadi in acciaio inox AISI 304
- Leva in acciaio inox AISI 304
- Pressione massima d'esercizio 41 bar
- Finitura al naturale

Valvola in NAB/Monel (BAMO)

- Corpo in Nichel Alluminio Bronzo ASTM B148 C95800
- Sfera in Monel 400
- Asta in acciaio inox AISI 316
- Sede in PTFE
- Guarnizioni in grafite teflonata
- Viti e dadi in AISI 316
- Leva in acciaio inox
- Pressione massima d'esercizio 40 bar
- Finitura al naturale

Valvola in NAB/Acciaio Inox (BAAI)

- Corpo in Nichel Alluminio Bronzo ASTM B148 C95800
- Sfera in acciaio inox AISI 316
- Asta in acciaio inox AISI 316
- Sede in PTFE
- Guarnizioni in grafite teflonata
- Viti e dadi in AISI 316
- Leva in acciaio inox
- Pressione massima d'esercizio 40 bar
- Finitura al naturale

Valvola in Bronzo/Monel (BGMO)

- Corpo in bronzo ASTM B62 C83600
- Sfera in Monel 400
- Asta in acciaio inox AISI 316
- Sede in PTFE
- Guarnizioni in grafite teflonata
- Viti e dadi in AISI 316
- Leva in acciaio inox
- Pressione massima d'esercizio 40 bar
- Finitura al naturale

Technical characteristics
Valve in Stainless Steel (AI)

- Body in stainless steel AISI 316
- Ball in stainless steel AISI 316
- STEM in stainless steel AISI 316
- Seat in PTFE
- Seal in PTFE
- Bolt, nuts in stainless steel AISI 304
- Lever in stainless steel AISI 304
- Maximum working pressure 41 bar
- Natural finish

Valve in NAB/Monel (BAMO)

- Body in Nickel Aluminum Bronze ASTM B148 C95800
- Ball in Monel 400
- Stem in stainless steel AISI 316
- Seat in PTFE
- Seal and packing in graphite with teflon
- Bolt, nuts in stainless steel AISI 316
- Lever in stainless steel
- Maximum working pressure 40 bar
- Natural finish

Valve in NAB/Stainless Steel (BAAI)

- Body in Nickel Aluminum Bronze ASTM B148 C95800
- Ball in stainless steel AISI 316
- Stem in stainless steel AISI 316
- Seat in PTFE
- Seal and packing in graphite with teflon
- Bolt, nuts in stainless steel AISI 316
- Lever in stainless steel
- Maximum working pressure 40 bar
- Natural finish

Valve in Bronze/Monel (BGMO)

- Body in bronze ASTM B62 C83600
- Ball in Monel 400
- Stem in stainless steel AISI 316
- Seat in PTFE
- Seal and packing in graphite with teflon
- Bolt, nuts in stainless steel AISI 316
- Lever in stainless steel
- Maximum working pressure 40 bar
- Natural finish

Caratteristiche tecniche**Valvola in Bronzo/Acciaio Inox (BGA)**

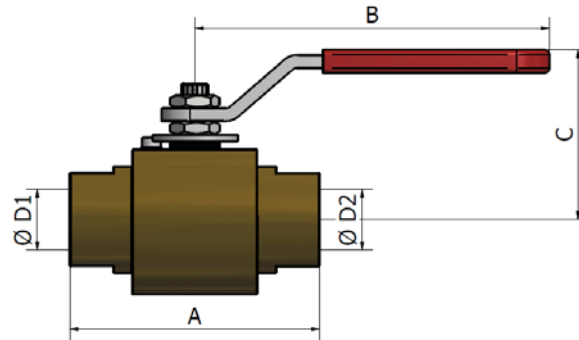
- Corpo in bronzo ASTM B62 C83600
- Sfera in acciaio inox AISI 316
- Asta in acciaio inox AISI 316
- Sede in PTFE
- Guarnizioni in grafite teflonata
- Viti e dadi in AISI 316
- Leva in acciaio inox
- Pressione massima d'esercizio 40 bar
- Finitura al naturale

Technical characteristics**Valve in Bronze/Stainless Steel (BGA)**

- Body in bronze ASTM B62 C83600
- Ball in stainless steel AISI 316
- Stem in stainless steel AISI 316
- Seat in PTFE
- Seal and packing in graphite with teflon
- Bolt, nuts in stainless steel AISI 316
- Lever in stainless steel
- Maximum working pressure 40 bar
- Natural finish

Dimensioni e pesi

Dimensions and weights



BV – AI/BAMO/BAAI/BGMO/BGAI

Corpo - Materiale Body - Material	Ø D1 F NPT	Ø D2 F NPT	A mm	B mm	C mm	Peso Weight (kg)
AI	1/2"	1/2"	61	102	49	0,34
	3/4"	3/4"	71	121	64	0,57
	1 1/4"	1 1/4"	97	158	86	1,30
	2"	2"	135	188	111	3,55
BAMO BAAI BGMO BGAI	1/2"	1/2"	75	107	51	0,63
	3/4"	3/4"	90	120	54	0,93
	1 1/4"	1 1/4"				
	2"	2"	155	162	86	4,25

Opzioni

Optional

- Per ulteriori opzioni o versioni speciali contattare SA Fire Protection
- For additional options or special versions contact SA Fire Protection

Codice Identificativo
Identification Form

Mod.

BV		
1	2	3

Quantità / Quantity

VALVOLA A SFERA BV / BALL VALVE BV

TIPOLOGIA TYPE	1	Tipologia Type	Valvola a sfera Ball valve	BV <input checked="" type="checkbox"/>	
	2	Materiale Material	Acciaio inox Stainless steel	AI <input type="checkbox"/>	Materiale standard per trim in acciaio inox Standard material for trim in stainless steel
			NAB/Monel	BAMO <input type="checkbox"/>	Materiale standard per trim in Monel/Bronzo/NAB Standard material for trim in Monel/Bronze/NAB
			NAB/Acciaio inox NAB/Stainless steel	BAAI <input type="checkbox"/>	
			Bronzo/Monel Bronze/Monel	BGMO <input type="checkbox"/>	
			Bronzo/Acciaio inox Bronze/Stainless steel	BGAI <input type="checkbox"/>	
	3	Dimensione Size	1/2"	M <input type="checkbox"/>	
			3/4"	QQQ <input type="checkbox"/>	
			1 1/4"	1Q <input type="checkbox"/>	
			2"	2 <input type="checkbox"/>	

NOTE NOTES	

CLIENTE / CLIENT:	PROGETTO / PROJECT:	DOC. No.:	REV.:
EMESSO / ISSUED:	CONTROLLATO / CHECKED:	APPROVATO / APPROVED:	
DATA / DATE:	DATA / DATE:	DATA / DATE:	

RACCORDI – RAC
FITTINGS – RAC



Descrizione



I Mod. RAC sono raccordi utilizzati nel trim di controllo e nella linea di drenaggio delle valvole a diluvio.

I raccordi Mod. RAC sono disponibili in acciaio inox, bronzo, Nichel Alluminio Bronzo e Monel 400.

Description



The Mod. RAC are fittings installed in the control trim and main drain line of the deluge valves.

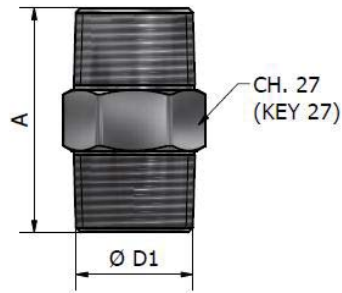
The fittings Mod. RAC are available in stainless steel, bronze, Nickel Aluminum Bronze and Monel 400.

Caratteristiche tecniche

- Materiale corpo a scelta tra:
 - Acciaio inox AISI 316L
 - Bronzo EN 1982 – CC491K
 - Nichel Alluminio Bronzo EN 1982 – CC333G
 - Monel 400
- Pressione massima d'esercizio 207 bar – 3000 psi
- Pressione di test 310 bar – 4500 psi
- Finitura al naturale

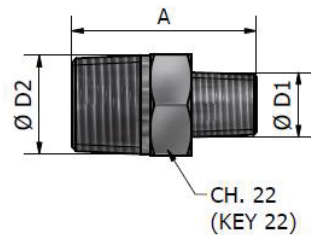
Technical characteristics

- Body material to be selected among:
 - Stainless steel AISI 316L
 - Bronze EN 1982 – CC491K
 - Nickel Aluminum Bronze EN 1982 – CC 333G
 - Monel 400
- Maximum working pressure 207 bar – 3000 psi
- Maximum working pressure 310 bar – 4500 psi
- Natural finish



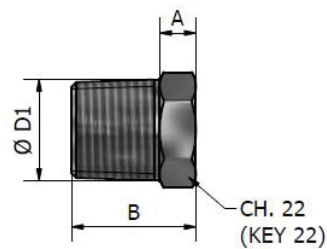
NIPPLES / NIPLES M-M

Ø D1 M NPT	A mm	Peso Weight (kg)
1/2"	42	0,10
3/4"	48	0,12
1 1/4"	60	0,32
2"	65	0,69



NIPPLES RIDOTTO / REDUCING NIPLES M-M

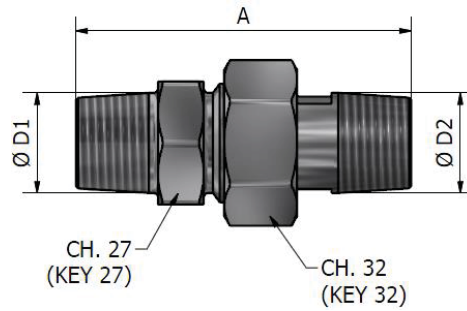
Ø D1 M NPT	Ø D2 M NPT	A mm	Peso Weight (kg)
1/4"	1/2"	40	0,07



TAPPO / CAP M-M

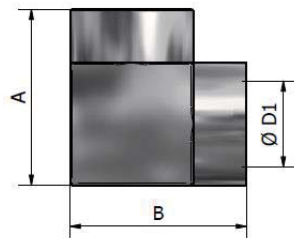
Ø D1 M NPT	A mm	B mm	Peso Weight (kg)
1/2"	8	27	0,07

Prosegue alla pagina seguente / Continue to the next page



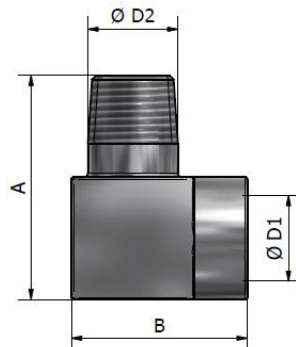
GIUNTO A TRE PEZZI / UNION M-M

Ø D1 M NPT	Ø D2 M NPT	A mm	Peso Weight (kg)
1/2"	1/2"	74	0,23



GOMITO 90° / ELBOW 90° F-F

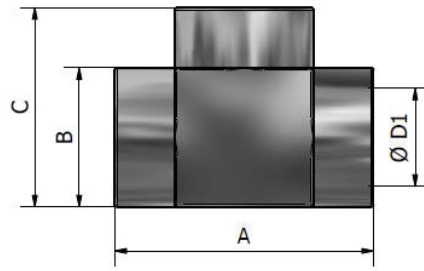
Ø D1 F NPT	A mm	B mm	Peso Weight (kg)
1/2"	43	43	0,21



GOMITO 90° / ELBOW 90° M-F

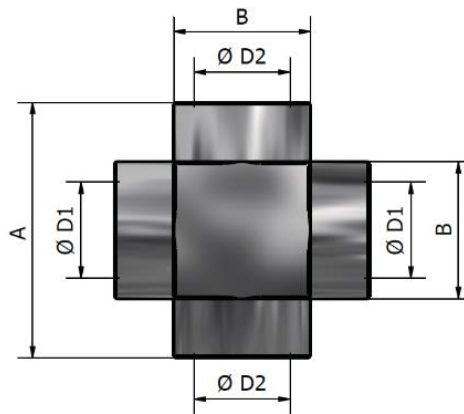
Ø D1 F NPT	Ø D2 M NPT	A mm	B mm	Peso Weight (kg)
1/2"	1/2"	55	43	0,21
3/4"	3/4"	66	51	0,39
1 1/4"	1 1/4"	88	69	0,93
2"	2"	113	93	2,10

Prosegue alla pagina seguente / Continue to the next page



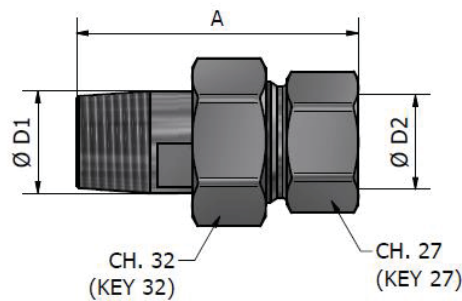
TEE F-F-F

Ø D1 F NPT	A mm	B mm	C mm	Peso Weight (kg)
1/2"	56	30	43	0,23



CROCE / CROSS F-F-F-F

Ø D1 F NPT	Ø D2 F NPT	A mm	B mm	Peso Weight (kg)
1/2"	1/2"	56	30	0,25
1/2"	3/4"	58	34	0,37



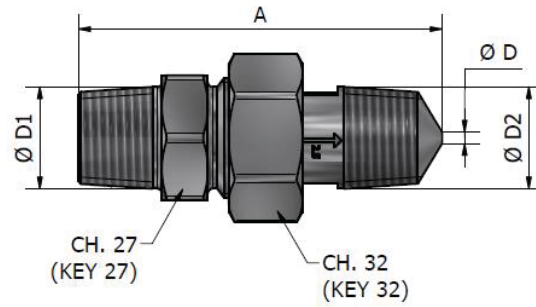
GIUNTO A TRE PEZZI / UNION M-F

Ø D1 M NPT	Ø D2 F NPT	A mm	Peso Weight (kg)
1/2"	1/2"	61	0,20

Prosegue alla pagina seguente / Continue to the next page

Dimensioni e Pesì

Dimensions and Weights



GIUNTO A TRE PEZZI CON ORIFIZIO / UNION WITH CALIBRATED ORIFICE

Ø D1 M NPT	Ø D2 M NPT	Ø D mm	A mm	Peso Weight (kg)
1/2"	1/2"	2,5	79	0,26

Opzioni

- Per ulteriori opzioni o versioni speciali contattare SA Fire Protection

Optional

- For additional options or special versions contact SA Fire Protection

Codice Identificativo
Identification Form

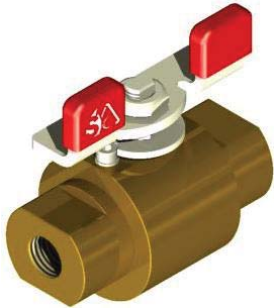
Mod.

1	2	3

Quantità / Quantity

RACCORDI / FITTINGS MOD. RAC					
TIPOLOGIA TYPE	1	Tipologia Type	Niples M-M Nipple M-M	RACN <input type="checkbox"/>	
			Niples ridotto M-M Reducing nipple M-M	RACNR <input type="checkbox"/>	
			Tappo M Cap M	RACCP <input type="checkbox"/>	
			Giunto a tre pezzi M-M Union M-M	RAC3P <input type="checkbox"/>	
			Giunto a tre pezzi M-F Union M-F	RAC3PF <input type="checkbox"/>	
			Giunto a tre pezzi con orifizio calibrato 2,5 mm Union with calibrated orifice 2,5 mm	RAC3P2M <input type="checkbox"/>	
			Gomito 90° F-F Elbow 90° F-F	RACG <input type="checkbox"/>	
			Gomito 90° M-F Elbow 90° M-F	RACGM <input type="checkbox"/>	
			Tee F-F-F	RACT <input type="checkbox"/>	
			Croce F-F-F-F Cross F-F-F-F	RACCR <input type="checkbox"/>	
	2	Materiale Material	Acciaio inox AISI 316L Stainless steel AISI 316L	CAI23 <input type="checkbox"/>	Materiale standard Standard material
			Bronzo EN 1982 – CC491K Bronze EN 1982 – CC491K	CBG20 <input type="checkbox"/>	
Nichel Alluminio Bronzo EN 1982 - CC333G Nickel Aluminum Bronze EN 1982 - CC333G			CBA20 <input type="checkbox"/>		
Monel 400			CMO20 <input type="checkbox"/>		
3	Dimensione Size	1/2"	M <input type="checkbox"/>		
		3/4"	QQQ <input type="checkbox"/>	Disponibile solo per Niples e Gomito 90° M-F. Available only for Nipple and Elbow 90° M-F.	
		1 1/4"	1Q <input type="checkbox"/>	Disponibile solo per Niples e Gomito 90° M-F. Available only for Nipple and Elbow 90° M-F.	
		2"	2 <input type="checkbox"/>	Disponibile solo per Niples e Gomito 90° M-F. Available only for Nipple and Elbow 90° M-F.	

VALVOLE A SFERA PER MANOMETRO – BVM
BALL VALVE FOR PRESSURE GAUGE – BVM



Descrizione



Il Mod. BVM è una valvola a sfera installata nel trim di controllo e nella linea di drenaggio principale delle valvole a diluvio per l'intercettazione i manometri.

La valvola a sfera Mod. BVM è disponibile in cinque costruzioni differenti: corpo e parti interne in acciaio inox, corpo in Nichel Alluminio Bronzo e parti interne in Monel o acciaio inox, oppure corpo in bronzo e parti interne in Monel o acciaio inox.

Description



The Mod. BVM is ball valve installed in the control trim and main drain line of the deluge valves to isolate the pressure gauges.

The ball valve Mod. BVM is available in five different constructions: body and internal parts in stainless steel, body in Nickel Aluminum Bronze and internal parts in Monel or stainless steel, or body in bronze and internal parts in Monel or stainless steel.

Caratteristiche tecniche
Valvola in Acciaio Inox (AI)

- Corpo in acciaio inox AISI 316
- Sfera in acciaio inox AISI 316
- Asta in acciaio inox AISI 316
- Sede in PTFE
- Guarnizioni in PTFE
- Viti e dadi in acciaio inox AISI 304
- Leva in acciaio inox AISI 304
- Pressione massima d'esercizio 41 bar
- Finitura al naturale

Valvola in NAB/Monel (BAMO)

- Corpo in Nichel Alluminio Bronzo ASTM B148 C95800
- Sfera in Monel 400
- Asta in acciaio inox AISI 316
- Sede in PTFE
- Guarnizioni in grafite teflonata
- Viti e dadi in AISI 316
- Leva in acciaio inox
- Pressione massima d'esercizio 40 bar
- Finitura al naturale

Valvola in NAB/Acciaio Inox (BAAI)

- Corpo in Nichel Alluminio Bronzo ASTM B148 C95800
- Sfera in acciaio inox AISI 316
- Asta in acciaio inox AISI 316
- Sede in PTFE
- Guarnizioni in grafite teflonata
- Viti e dadi in AISI 316
- Leva in acciaio inox
- Pressione massima d'esercizio 40 bar
- Finitura al naturale

Valvola in Bronzo/Monel (BGMO)

- Corpo in bronzo ASTM B62 C83600
- Sfera in Monel 400
- Asta in acciaio inox AISI 316
- Sede in PTFE
- Guarnizioni in grafite teflonata
- Viti e dadi in AISI 316
- Leva in acciaio inox
- Pressione massima d'esercizio 40 bar
- Finitura al naturale

Technical characteristics
Valve in Stainless Steel (AI)

- Body in stainless steel AISI 316
- Ball in stainless steel AISI 316
- STEM in stainless steel AISI 316
- Seat in PTFE
- Seal in PTFE
- Bolt, nuts in stainless steel AISI 304
- Lever in stainless steel AISI 304
- Maximum working pressure 41 bar
- Natural finish

Valve in NAB/Monel (BAMO)

- Body in Nickel Aluminum Bronze ASTM B148 C95800
- Ball in Monel 400
- Stem in stainless steel AISI 316
- Seat in PTFE
- Seal and packing in graphite with teflon
- Bolt, nuts in stainless steel AISI 316
- Lever in stainless steel
- Maximum working pressure 40 bar
- Natural finish

Valve in NAB/Stainless Steel (BAAI)

- Body in Nickel Aluminum Bronze ASTM B148 C95800
- Ball in stainless steel AISI 316
- Stem in stainless steel AISI 316
- Seat in PTFE
- Seal and packing in graphite with teflon
- Bolt, nuts in stainless steel AISI 316
- Lever in stainless steel
- Maximum working pressure 40 bar
- Natural finish

Valve in Bronze/Monel (BGMO)

- Body in bronze ASTM B62 C83600
- Ball in Monel 400
- Stem in stainless steel AISI 316
- Seat in PTFE
- Seal and packing in graphite with teflon
- Bolt, nuts in stainless steel AISI 316
- Lever in stainless steel
- Maximum working pressure 40 bar
- Natural finish

Caratteristiche tecniche**Valvola in Bronzo/Acciaio Inox (BGA)**

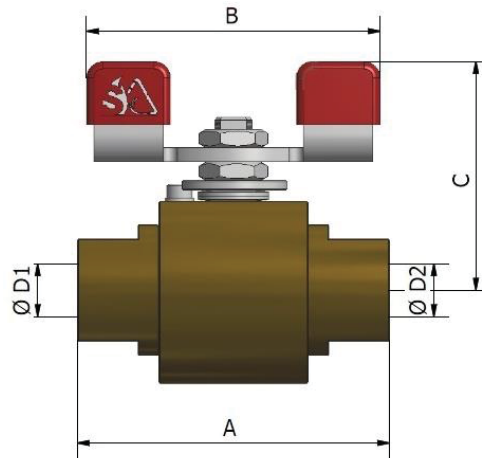
- Corpo in bronzo ASTM B62 C83600
- Sfera in acciaio inox AISI 316
- Asta in acciaio inox AISI 316
- Sede in PTFE
- Guarnizioni in grafite teflonata
- Viti e dadi in AISI 316
- Leva in acciaio inox
- Pressione massima d'esercizio 40 bar
- Finitura al naturale

Technical characteristics**Valve in Bronze/Stainless Steel (BGA)**

- Body in bronze ASTM B62 C83600
- Ball in stainless steel AISI 316
- Stem in stainless steel AISI 316
- Seat in PTFE
- Seal and packing in graphite with teflon
- Bolt, nuts in stainless steel AISI 316
- Lever in stainless steel
- Maximum working pressure 40 bar
- Natural finish

Dimensioni e pesi

Dimensions and weights



BVM – AI/BAMO/BAAI/BGMO/BGAI

Corpo - Materiale Body - Materials	Ø D1 F NPT	Ø D2 F NPT	A mm	B mm	C mm	Peso Weight (kg)
AI	1/4"	1/4"	50	63	51	0,20
BAMO BAAI BGMO BGAI	1/4"	1/4"	67	63	49	0,46

Opzioni

Optional

- Per ulteriori opzioni o versioni speciali contattare SA Fire Protection
- For additional options or special versions contact SA Fire Protection

Codice Identificativo
Identification Form

Mod. BVM

① ②

Quantità / Quantity

VALVOLA A SFERA PER MANOMETRO BVM / BALL VALVE FOR PRESSURE GAUGE BVM

TIPOLOGIA TYPE	①	Tipologia Type	Valvola a sfera per manometro Ball valve for pressure gauge	BVM <input checked="" type="checkbox"/>	
	②	Materiale Material	Acciaio inox Stainless steel	AI <input type="checkbox"/>	Materiale standard per trim in acciaio inox Standard material for trim in stainless steel
			NAB/Monel	BAMO <input type="checkbox"/>	Materiale standard per trim in Monel/Bronzo/NAB Standard material for trim in Monel/Bronze/NAB
			NAB/Acciaio inox NAB/Stainless steel	BAAI <input type="checkbox"/>	
			Bronzo/Monel Bronze/Monel	BGMO <input type="checkbox"/>	
			Bronzo/Acciaio inox Bronze/Stainless steel	BGAI <input type="checkbox"/>	

NOTE NOTES	

CLIENTE / CLIENT:	PROGETTO / PROJECT:	DOC. No.:	REV.:
EMESSO / ISSUED:	CONTROLLATO / CHECKED:	APPROVATO / APPROVED:	
DATA / DATE:	DATA / DATE:	DATA / DATE:	

I particolari di questo foglio tecnico, sebbene esatti al tempo della pubblicazione, potrebbero essere soggetti a modifiche senza preavviso. - The data shown on this data sheet, although correct at the time of publication, may be varied without notice.

TAPPO FUSIBILE – TF
FUSIBLE PLUG – TF



Descrizione



Il Mod. TF è un tappo fusibile installato sulla linea di rivelazione pneumatica delle valvole a diluvio pneumatiche o elettro-pneumatiche.

Il tappo fusibile Mod. TF consente lo scarico della pressione nella linea di rivelazione pneumatica a seguito del raggiungimento della temperatura di intervento, determinando l'apertura della valvola a diluvio.

Il tappo fusibile è disponibile in ottone o in acciaio inox.

Description



The Mod. TF is a fusible plug installed in the pneumatic detection line of deluge valves pneumatic or electro-pneumatic.

The fusible plug Mod. TF allows the pressure trapped in the detection line to be discharged when the set temperature is reached, opening the deluge valve.

The fusible plug is available in brass or stainless steel.

Caratteristiche tecniche

- Materiale corpo a scelta tra:
 - Ottone
 - Acciaio inox
- Pressione massima d'esercizio 34,4 bar
- Dimensione:
 - 1/8" NPT
 - 1/4" NPT
 - 3/8" NPT
 - 1/2" NPT
- Temperatura di intervento:
 - 74°C (massima temperatura ambiente 37.7°C)
 - 100°C (massima temperatura ambiente 65.5°C)
 - 138°C (massima temperatura ambiente 107.2°C)
 - 182°C (massima temperatura ambiente 148.9°C)
 - 232°C (massima temperatura ambiente 190.5°C)
- Finitura al naturale
- Certificato UL

Technical characteristics

- Body material to be selected among:
 - Brass
 - Stainless steel
- Max working pressure 34,4 bar
- Size:
 - 1/8" NPT
 - 1/4" NPT
 - 3/8" NPT
 - 1/2" NPT
- Rated temperature:
 - 74°C (maximum ambient temperature 37.7°C)
 - 100°C (maximum ambient temperature 65.5°C)
 - 138°C (maximum ambient temperature 107.2°C)
 - 182°C (maximum ambient temperature 148.9°C)
 - 232°C (maximum ambient temperature 190.5°C)
- Natural finish
- UL Listed

Codice Identificativo
Identification Form

Mod.

TF			
1	2	3	4

Quantità / Quantity

TAPPO FUSIBILE TF / FUSIBLE PLUG TF

	TIPOLOGIA TYPE	Tipologia Type	Tappo fusibile Fusible plug	TF <input checked="" type="checkbox"/>	
TIPOLOGIA TYPE	1	Tipologia Type	Tappo fusibile Fusible plug	TF <input checked="" type="checkbox"/>	
	2	Materiale Material	Ottone Brass	COT <input type="checkbox"/>	Materiale standard Standard material
			Acciaio inox Stainless steel	CAI <input type="checkbox"/>	
	3	Dimensione Size	1/8" NPT	<input type="checkbox"/>	
1/4" NPT			Q <input type="checkbox"/>		
3/8" NPT			OOO <input type="checkbox"/>		
1/2" NPT			M <input type="checkbox"/>		
INTERVENTO RATING	4	Temperatura di intervento Rated temperature	74°C (massima temperatura ambiente 37.7°C) 74°C (maximum ambient temperature 37.7°C)	74 <input type="checkbox"/>	
			100°C (massima temperatura ambiente 65.5°C) 100°C (maximum ambient temperature 65.5°C)	100 <input type="checkbox"/>	
			138°C (massima temperatura ambiente 107.2°C) 138°C (maximum ambient temperature 107.2°C)	138 <input type="checkbox"/>	
			182°C (massima temperatura ambiente 148.9°C) 182°C (maximum ambient temperature 148.9°C)	182 <input type="checkbox"/>	
			232°C (massima temperatura ambiente 190.5°C) 232°C (maximum ambient temperature 190.5°C)	232 <input type="checkbox"/>	
NOTE NOTES					
CLIENTE / CLIENT:		PROGETTO / PROJECT:	DOC. No.:	REV.:	
EMESSO / ISSUED:		CONTROLLATO / CHECKED:	APPROVATO / APPROVED:		
DATA / DATE:		DATA / DATE:	DATA / DATE:		

TUBI – TU
TUBING – TU



Descrizione



Il tubo Mod. TU è utilizzato nei trim di controllo delle valvole a diluvio. Il tubo Mod. TU è disponibile in acciaio inox e Monel 400.

Description



The tubing Mod. TU is installed in the control trim of the deluge valves. The tubing Mod. TU is available in stainless steel and Monel 400.

Caratteristiche tecniche

- Tubo senza saldatura
- Materiale a scelta tra:
 - Acciaio inox AISI 316L
 - Monel 400
- Diametro nominale 1/2"
- Scheda 40
- Diametro esterno 21.3 mm
- Spessore 2.77 mm
- Filettatura M NPT
- Finitura al naturale

Technical characteristics

- Seamless tubing
- Material to be selected among:
 - Stainless steel AISI 316L
 - Monel 400
- Nominal size 1/2"
- Schedule 40
- External diameter 21.3 mm
- Thickness 2.77 mm
- Threading M NPT
- Natural finish

Codice Identificativo
Identification Form

Mod. /

①
②
③

Quantità / Quantity

TUBO TU / TUBING TU

TIPOLOGIA TYPE	①	Tipologia Type	Tubo Tubing	TU <input checked="" type="checkbox"/>	
	②	Materiale Material	Acciaio inox AISI 316L Stainless steel AISI 316L	CAI33 <input type="checkbox"/>	Materiale standard Standard material
			Monel 400	CMO30 <input type="checkbox"/>	
LUNGHEZZA LENGTH	③	Lunghezza Length	Inserire la lunghezza desiderata in mm Insert the required length in mm	(<input type="text"/>) <input type="checkbox"/>	

NOTE NOTES	

CLIENTE / CLIENT:	PROGETTO / PROJECT:	DOC. No.:	REV.:
EMESSO / ISSUED:	CONTROLLATO / CHECKED:	APPROVATO / APPROVED:	
DATA / DATE:	DATA / DATE:	DATA / DATE:	

I particolari di questo foglio tecnico, sebbene esatti al tempo della pubblicazione, potrebbero essere soggetti a modifiche senza preavviso. - The data shown on this data sheet, although correct at the time of publication, may be varied without notice.

TUBI FLESSIBILI – TUF
FLEXIBLE TUBING – TUF



Descrizione



Il Mod. TUF è un tubo flessibile utilizzato per il collegamento tra la valvola a diluvio a doppia camera Mod. VDD ed il relativo cabinato contenente il trim di controllo.

Il tubo flessibile Mod. TUF è disponibile con tubo e raccordi in acciaio inox oppure con tubo in poliammide rinforzato e raccordi in bronzo.

Description



The Mod. TUF is a flexible tubing used to connect the double chamber deluge valve Mod. VDD to the relevant control trim cabinet.

The flexible tubing Mod. TUF is available with tubing and fittings in stainless steel or with tubing in reinforced polyamide and fittings in bronze.

Caratteristiche tecniche

- Materiale a scelta tra:
 - Tubo e raccordi in acciaio inox
 - Tubo in poliammide rinforzato e raccordi in bronzo
- Diametro nominale 1/2"
- Raccordi F NPT
- Lunghezza 5 m
- Finitura al naturale

Technical characteristics

- Material to be selected among:
 - Tubing and fittings in stainless steel
 - Tubing in reinforced polyamide and fittings in bronze
- Nominal size 1/2"
- Fittings F NPT
- Length 5 m
- Natural finish

Opzioni

- Lunghezza differente (lunghezza massima 10 m)
- Per ulteriori opzioni o versioni speciali contattare SA Fire Protection

Optional

- Different length (maximum length 10 m)
- For additional options or special versions contact SA Fire Protection

Codice Identificativo
Identification Form

Mod. /

①
②
③

Quantità / Quantity

TUBI FLESSIBILI TUF / FLEXIBLE TUBING TUF

TIPOLOGIA TYPE	①	Tipologia Type	Tubo flessibile Flexible tubing	TUF <input checked="" type="checkbox"/>	
	②	Materiale Material	Tubi e raccordi in acciaio inox, lunghezza 5 m Tubing and fittings in stainless steel, length 5 m	AI <input type="checkbox"/>	Materiale standard Standard material
			Tubi in poliammide rinforzato, raccordi in bronzo, lunghezza 5 m Tubing in reinforced polyamide, fittings in bronze, length 5 m	GO <input type="checkbox"/>	
LUNGHEZZA LENGTH	③	Lunghezza Length	Inserire lunghezza desiderata in metri Insert the required length in meter	(<input style="width: 30px;" type="text"/>) <input type="checkbox"/>	Compilare solo se selezionato set tubi flessibili e lunghezza diversa da 5 m. Lunghezza massima 10 m. To be filled only if flexible tubing set is selected and length is different from 5 m. Maximum length 10 m.

NOTE NOTES	
-----------------------	--

CLIENTE / CLIENT:	PROGETTO / PROJECT:	DOC. No.:	REV.:
EMESSO / ISSUED:	CONTROLLATO / CHECKED:	APPROVATO / APPROVED:	
DATA / DATE:	DATA / DATE:	DATA / DATE:	

Dräger Nederland B.V.

Marine & Offshore
Beurtschipperstraat 1
3194 DK Hoogvliet
The Netherlands
Tel: +31 (0)10 295 2740
sales-mo.sd.nl@draeger.com

Service Center
Koperslagersweg 14F
1786 RA Den Helder
The Netherlands
Tel: +31 (0)223 787 007
denhelder-mo.sd.nl@draeger.com



www.draeger-mo.com