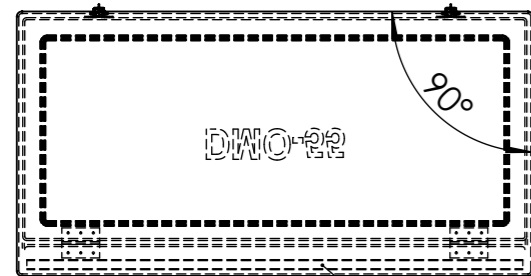
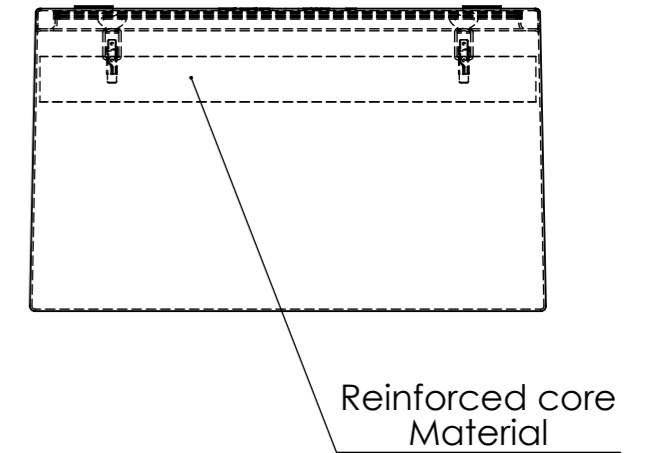
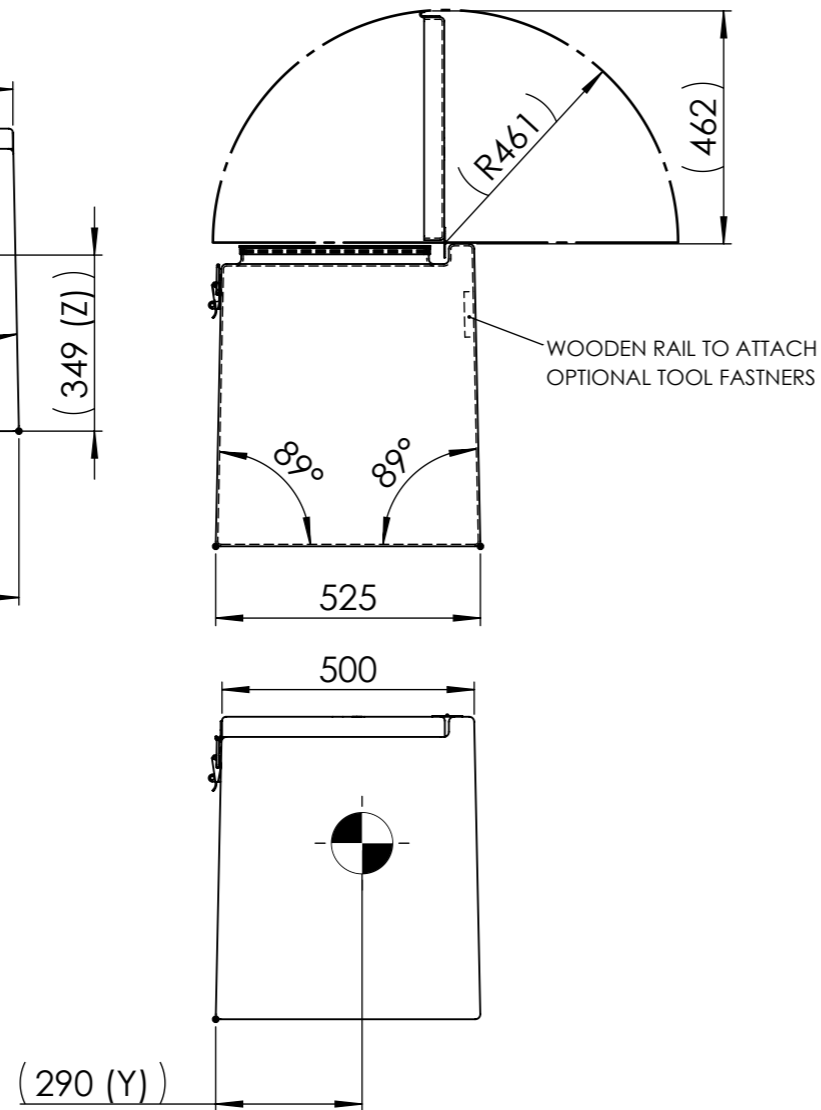
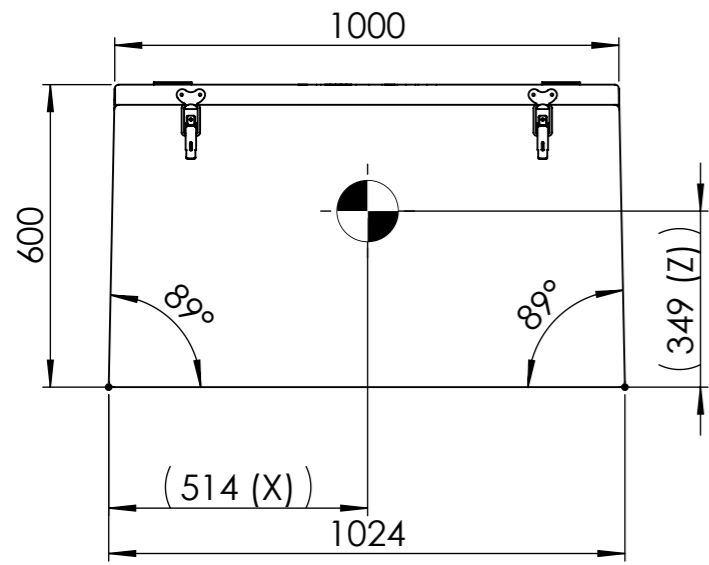


Front View

Side View

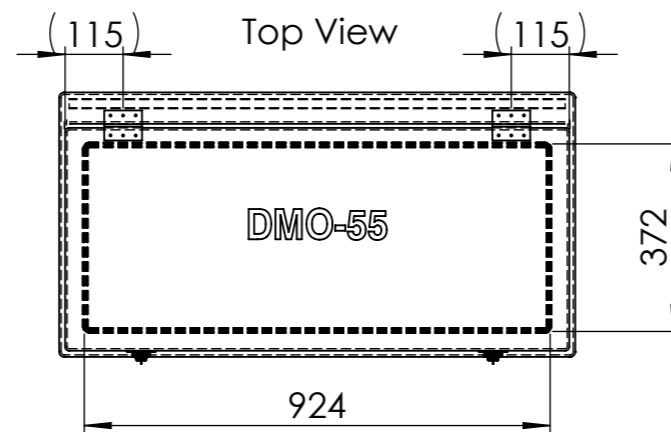
ISO View

Rear View



Footprint

Reinforced core Material



Top View

Colour	RALxxxx
Material	3-4mm GRP
Lock and hinges	Stainless steel
Weight cabinet	xxKg
Weight cabinet incl. content	Invulbaar
C.O.G.	X 514 / Y 290 / Z 349 from datum
Text on cabinet	Invulbaar
Tag on cabinet	Invulbaar
Mounting instructions	Invulbaar
Storage for	



Date	Name	SW Filename
Drawn 2023/01/13	B. S.	DMO_55_00
Dräger Nederland B.V. Marine & Offshore Beurtschipperstraat 1 3194 DK, Hoogvliet-RT the Netherlands		Comments: +31 10 2952772

Scale: 1:15	Projection	Description:	Art.Nr:	Sheet	Format:
Units: mm		DMO Cabinet 55	DMO_55	1 of 3	A3